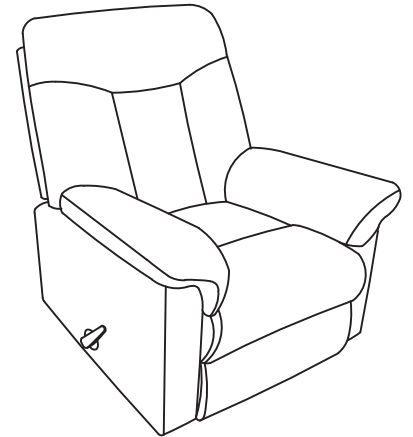


# Recliner Assembly Instructions

Your recliner comes packaged in one box.

**DO NOT use any sharp objects to open plastic wrapped components as damage to product or components may result.**

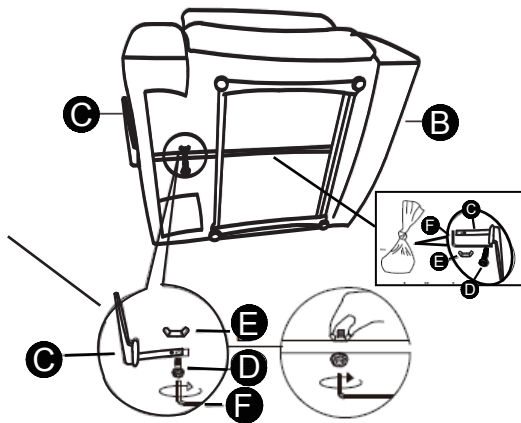
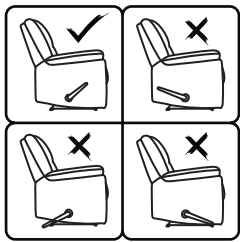
Carefully remove all of the components from the packaging and set aside for assembly. Assemble on a soft surface to prevent scratching the finish.



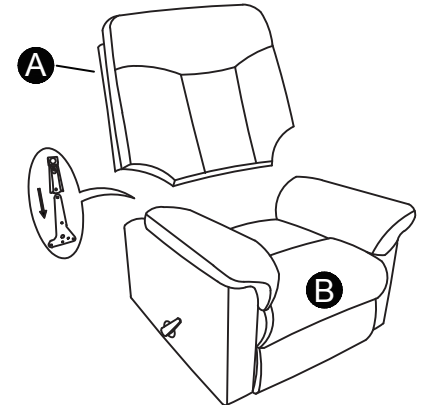
Parts List		Hardware List	
<b>A</b> 1 x Seat Back		<b>D</b> 1 x Bolt	M 6 X 50mm
<b>B</b> 1 x Seat		<b>E</b> 1 x Wing Nut	M6
<b>C</b> 1 x Handle		<b>F</b> 1 x Hex Key	M6 x 80mm
		Hardware bag can be found under the seat	

## Assembly

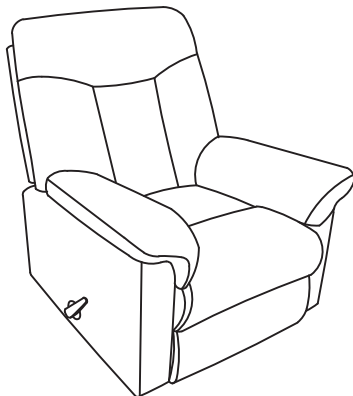
### Step 1



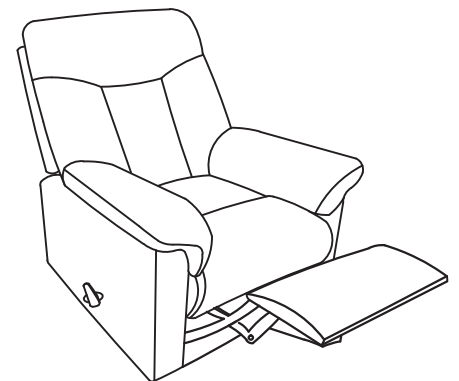
### Step 2



### Step 3



Please note the handle is used to release the foot rest. Use your arms to recline all the way back. To close, please use your legs to push the foot rest down.



Your recliner style may differ from images. Care for your furniture by periodically tightening all bolts using the included hex key.

**One Year Warranty:** The furniture is warranted against defects in workmanship and materials. Items covered would be seam slippage, frame structural integrity, fit and finish of parts. Items not covered would be product abused by the user, normal wear and tear, stains or discoloration due to use, damage in any transportation. Softening of foam is considered normal wear and tear and is not covered by warranty. Warranty is for PARTS ONLY and does not include transportation and labor costs associated with any warranty claim.

**CAUTION:** Tighten all components securely before use. Failure to do so may result in personal injury.

Customer Support: 866-238-0531  
 Mon-Fri 8:00am - 4:30pm CST  
[customerservice@furniturequestions.com](mailto:customerservice@furniturequestions.com)