

# INSTALLATION GUIDE

*Belvedere Bath*

www.belvederebath.com

**Model No.:T9006**

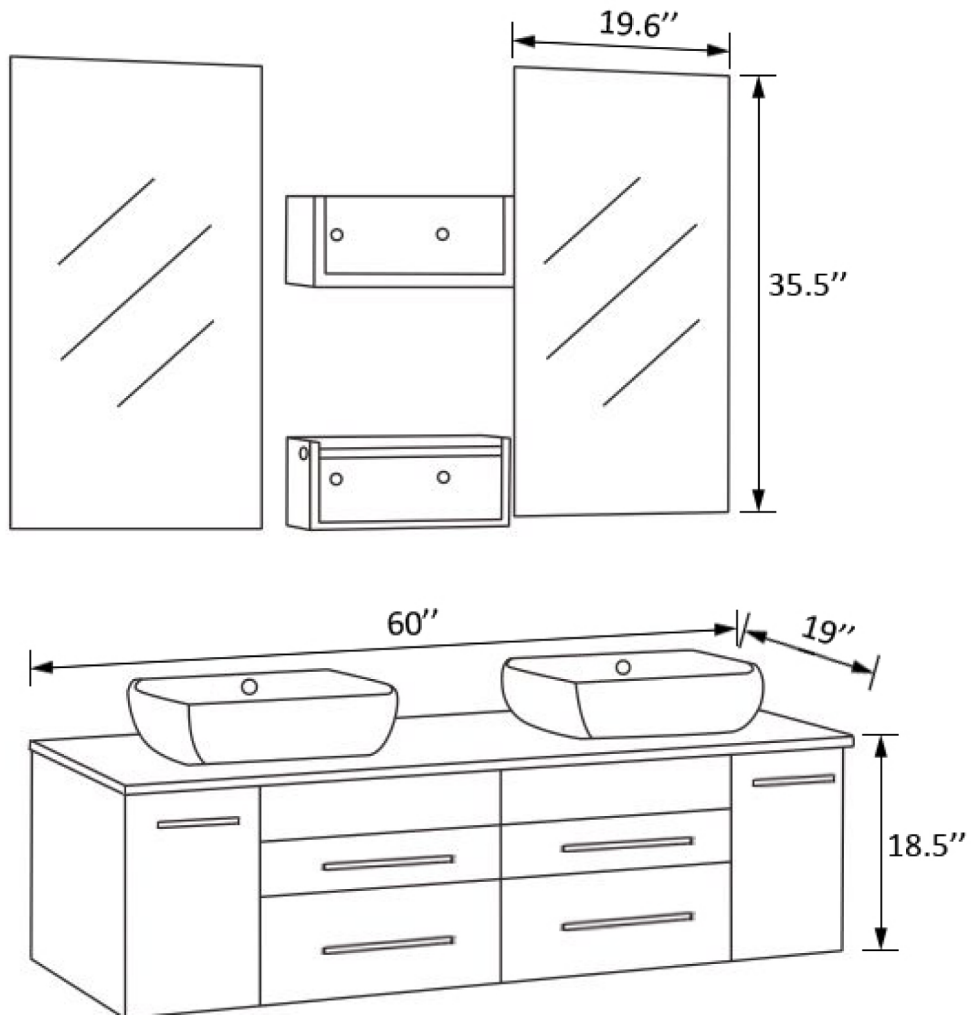
Cabinet Size:60"Wx19"Dx18.5"H

## Notes:

- Please turn off water-lines and drain before installation of vanity
- Drain,pipe and trap are not included
- Loosen the handles inside drawers then install them correctly in the front

## Packing list

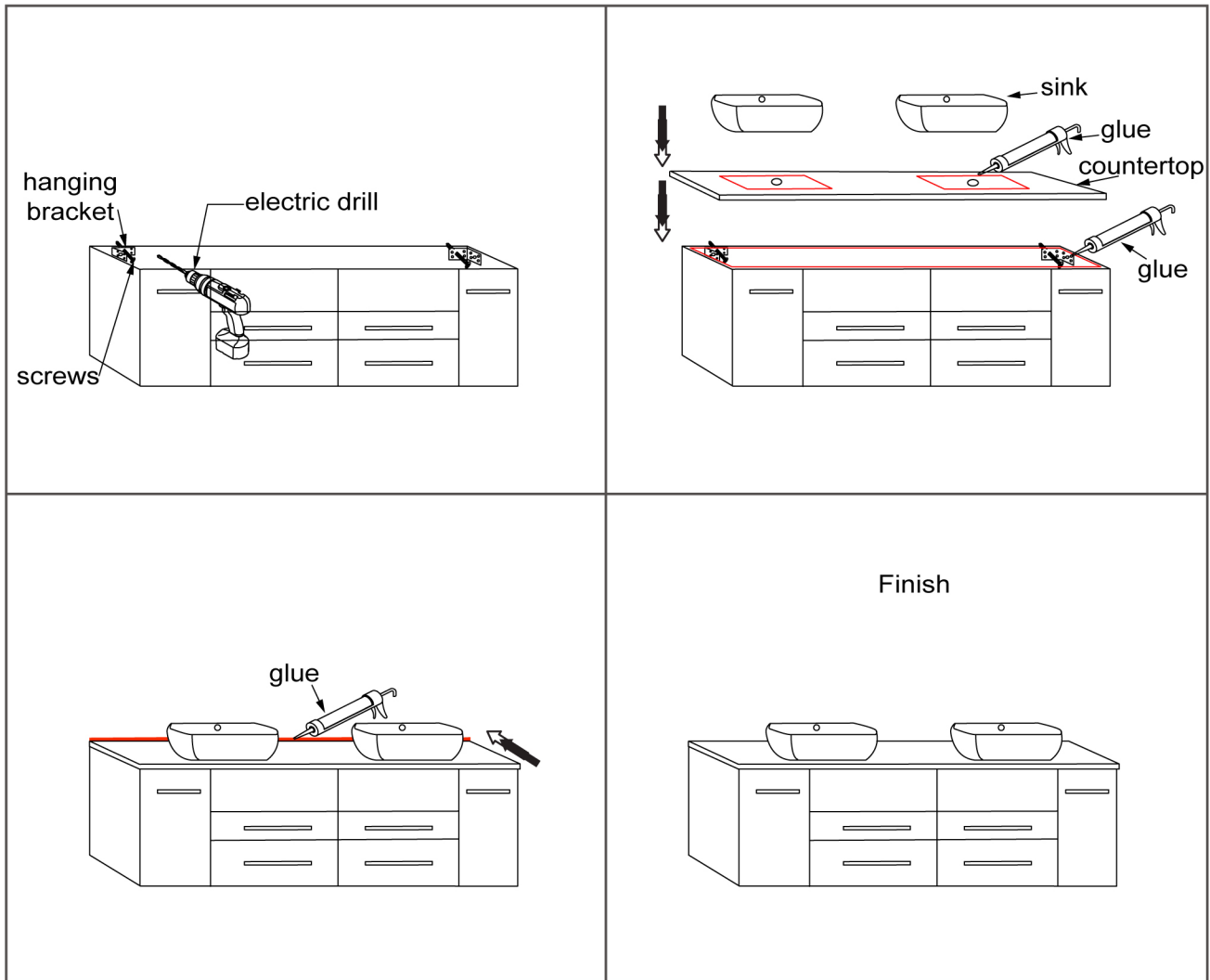
- Main cabinet
- Countertop
- Sink
- Instruction manual



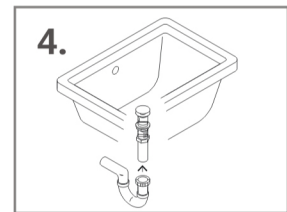
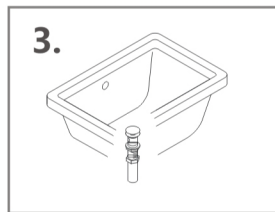
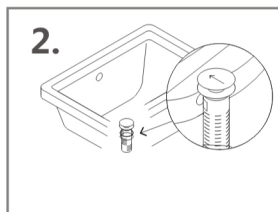
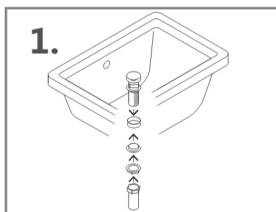
Measurement Details

# INSTALLATION GUIDE

- Measure the distance between the hanging bracket holes from the back of the cabinet.
- Locate the studs on the wall. Drill two holes on the studs as per your previous measurement.
- Insert the plastic plugs into the drilled holes and then insert screws through the hanging bracket holes into the plastic plugs. Tie up the screws till the cabinet is fixed firmly on the wall.
- Apply silicone layer to the perimeter of the vanity base cabinet and lay down the countertop on the top of the vanity cabinet.
- Install the sink onto the countertop and apply silicone.
- Apply silicone layer on the back side of the countertop that will be adjacent to the wall.



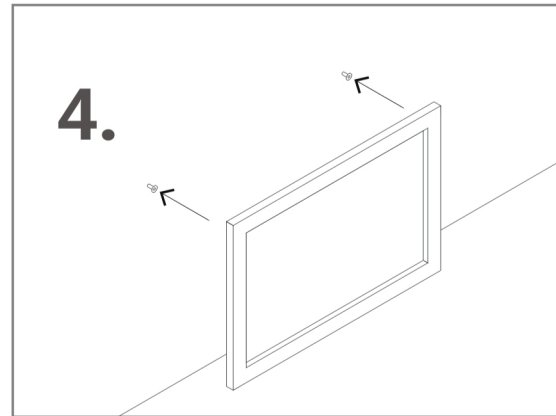
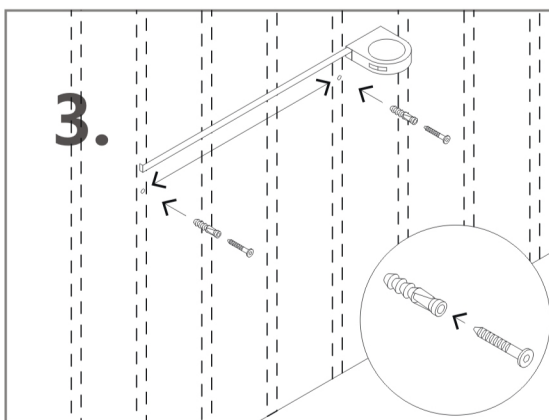
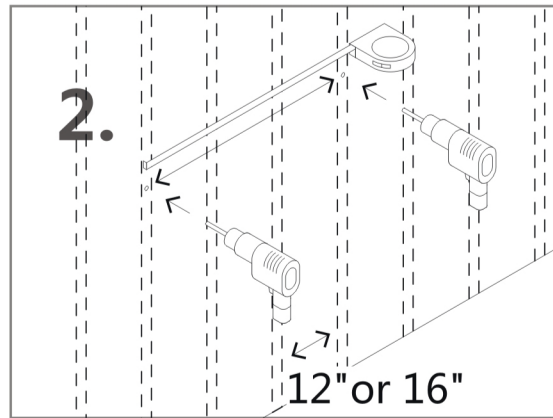
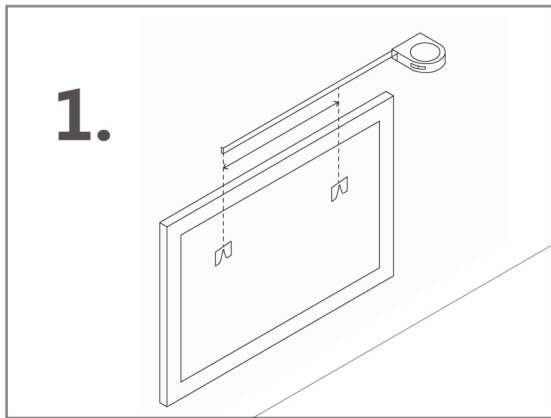
## Installing the drain



# INSTALLATION GUIDE

- After installing the countertop on the cabinet, put the drain assembly inside the hole in the sink and fix it firmly.
- Tie up the mounting rubbers and metal rings from the bottom of the drain.
- Connect the trap onto the drain bottom.

## Hanging Mirror On The Wall



- Measure the distance between the screw holes from the back of the mirror.
- Locate the studs on the wall. They are normally placed 12" to 16" apart from each other. Drill two holes on the studs as per your previous measurement.
- Insert the plastic plugs into the drilled holes and then insert screws into the plastic plugs. Tie up the screws till they remain at least 0.5" - 0.75" outside the wall.
- Hang the mirror on to the wall.