

# 2 1/2" W X 8 3/4" D X 8 1/4" H REECE BRACKET

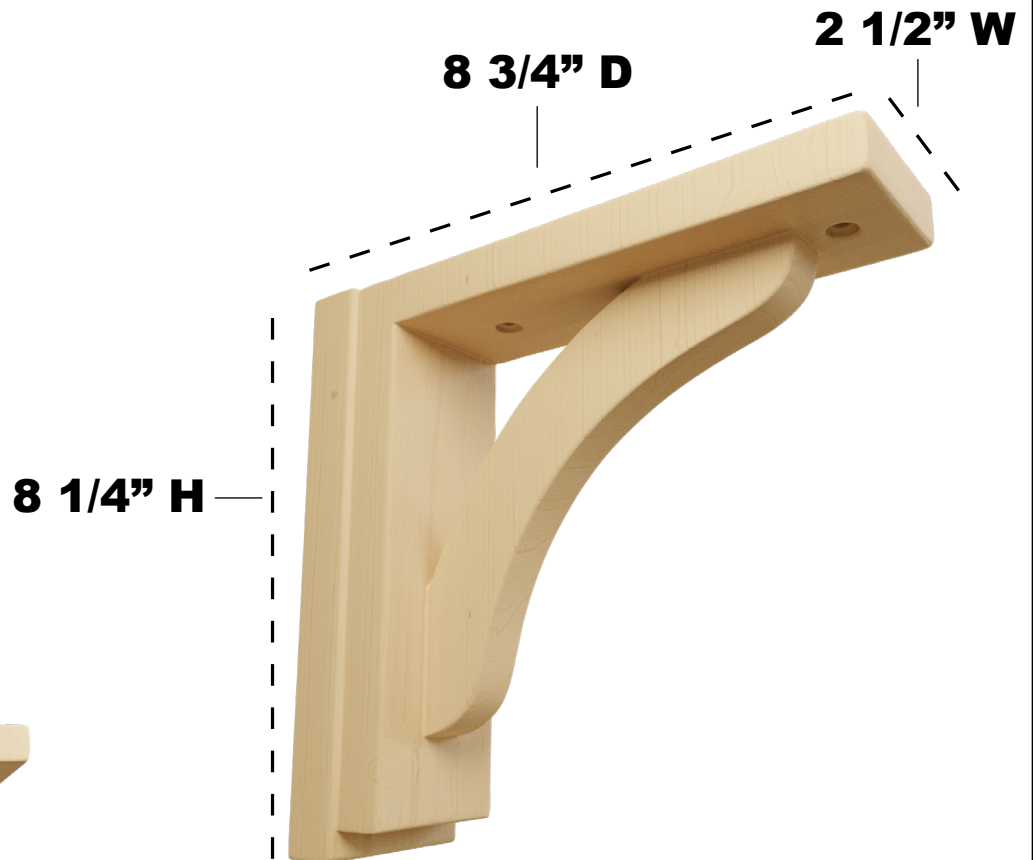
ITEM NO.: BKT02X08X08RE



FRONT VIEW



PROFILE VIEW



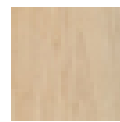
**AVAILABLE  
WOOD  
SPECIES:**



ALDER



CHERRY



MAPLE



RED OAK



RUBBERWOOD



**EKENA**  
MILLWORK

P: 866.607.0453 | F: 866.591.3143

2300 W. Main St. | Clarksville, TX 75426

sales@ekenamillwork.com | www.ekenamillwork.com