


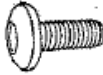




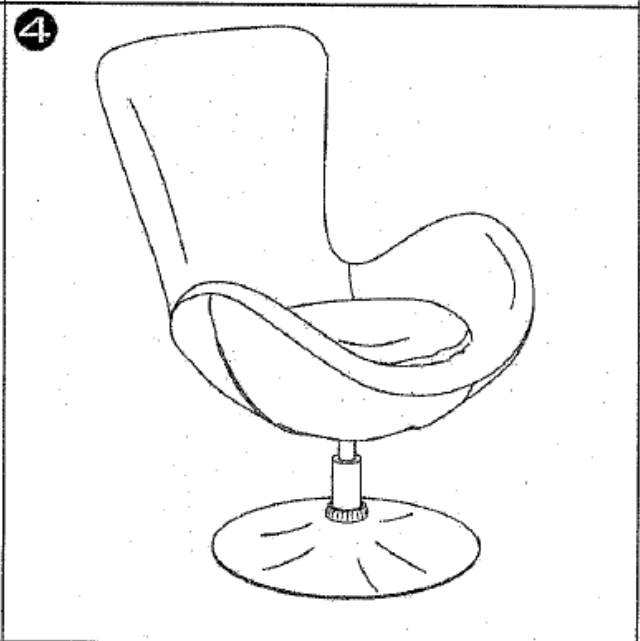
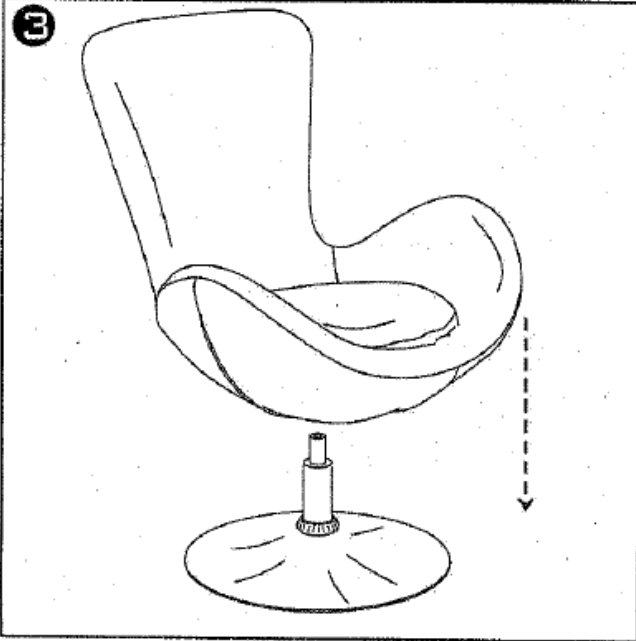
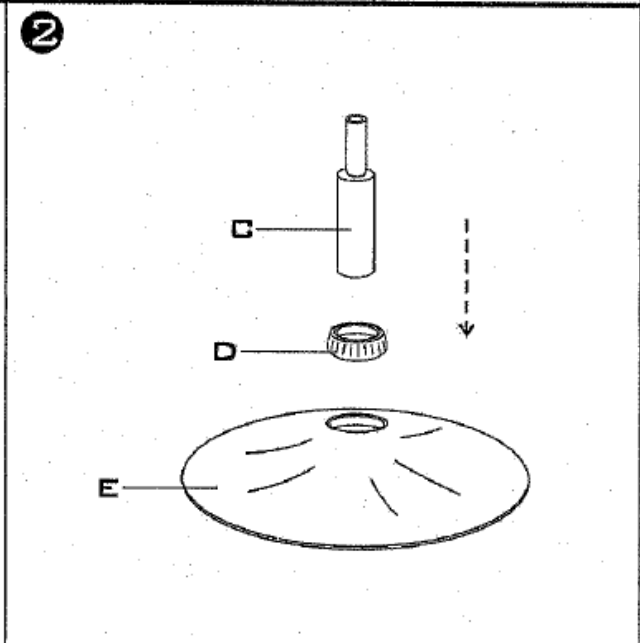
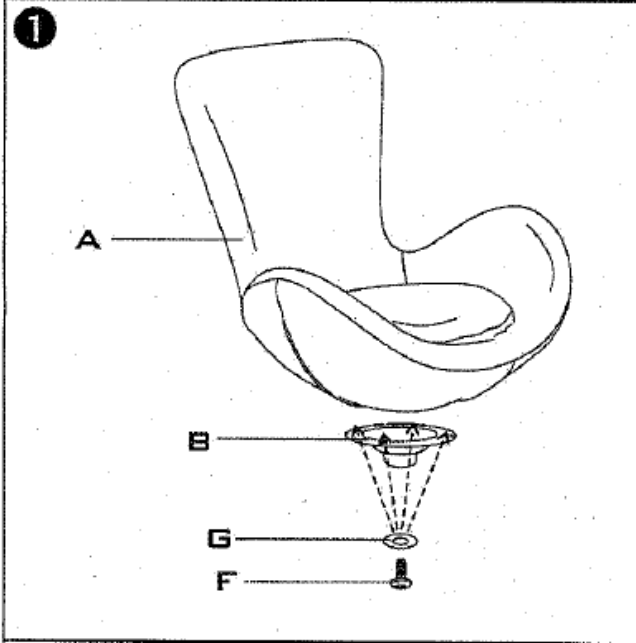
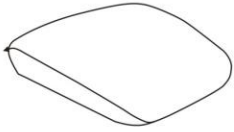



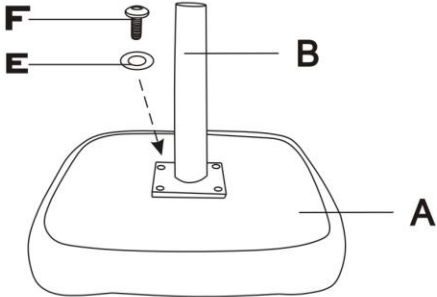



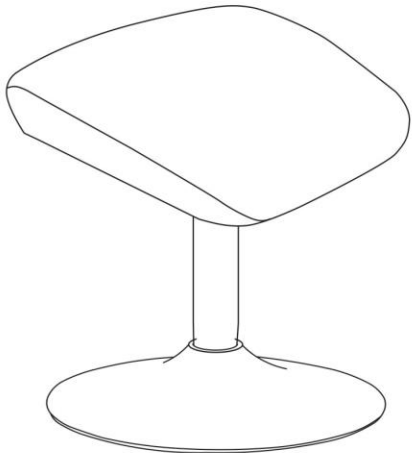


CH-162430

PART IDENTIFICATION	QUANTITY PER SET	PART IDENTIFICATION	QUANTITY PER SET
A: 	1	E: 	1
B: 	1	F: 	4
C: 	1	G: 	4
D: 	1	L: 	1



CH-162430 搁脚(二)

PART IDENTIFICATION	QUANTITY PER SET	PART IDENTIFICATION	QUANTITY PER SET
A: 	1	C: 	1
B: 	1	D: 	1
1 		E: 	4
		F: 	4
		L: 	1
			
2 