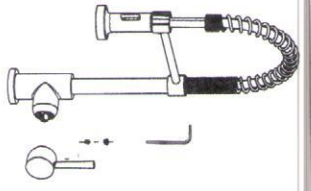
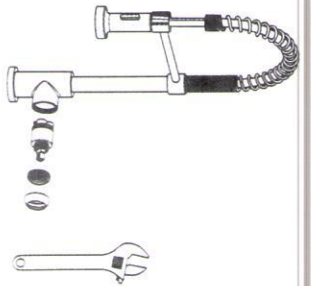


## Handle Removal Maintenance



Turn off water and relieve pressure. Detach handle button using a small flathead screwdriver, unscrew set screw using Allen Wrench and take off handle.

## Valve Cartridge Removal Maintenance



Remove handles. Unscrew Dome Cap counter clockwise by hand. Unscrew Retaining Nut using adjustable wrench, take out cartridge assembly and inspect. Replace parts as necessary. Reassemble parts by reversing steps.

## CAUTION: Maintenance

Replacement parts may be available at the store where you purchased your faucet. Always turn off water and relieve pressure before working on your faucet.

## NOTES: Cleaning Instructions

To keep the faucet clean, you should clean the faucet frequently and regularly. Clean the faucet with clear water or mild liquid, rinse the faucet with clear water and then dry the faucet with soft cotton cloths. Do not use any abrasive cleansers, cloths, or paper towel. Do not use any acid or abrasive detergent.

## TROUBLE-SHOOTING

If you followed the instruction carefully and your faucet still does not work properly, take these corrective steps:

Problem	Cause	Action
Faucet sticks underneath handle.	Cartridge has come loose	Tighten the cartridge
Aerator leaks or has an inconsistent water flow pattern	Aerator is dirty or worn out or misfitted	Unscrew the aerator to clean or replace washer or replace the aerator
Water will not shut off completely.	Dirty or worn out washer in cartridge.	Remove handle and cartridge to check the washer is damaged permanently or dirty. Re-install cartridge.

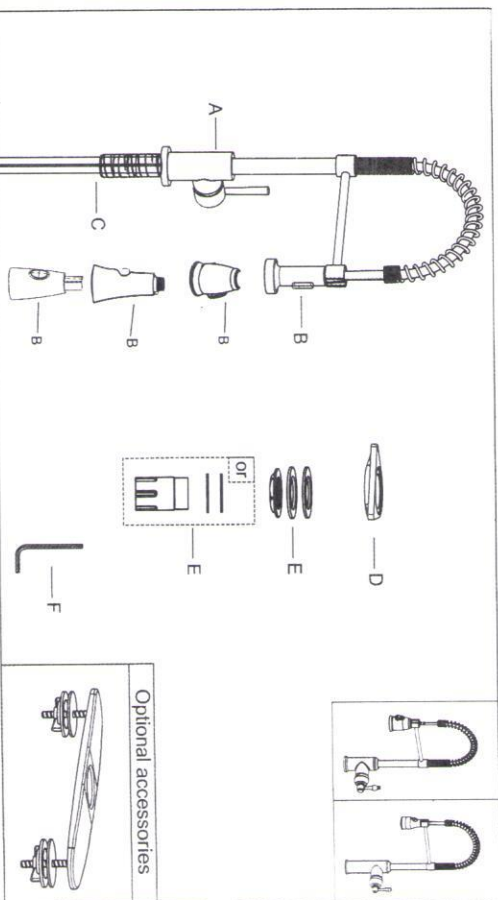
## Kitchen Faucet

### PACKING LIST

After you open this package, please check to ensure that all of the following items are included.

A- Faucet B- Spray Head C- Flexible Hoses(2)  
E- Mounting Assembly and Washer F- Allen Wrench

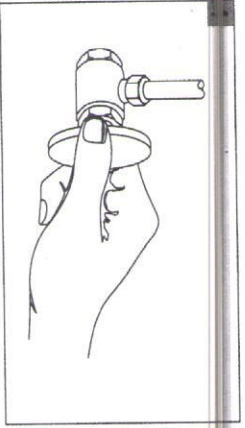
D- Plastic Support



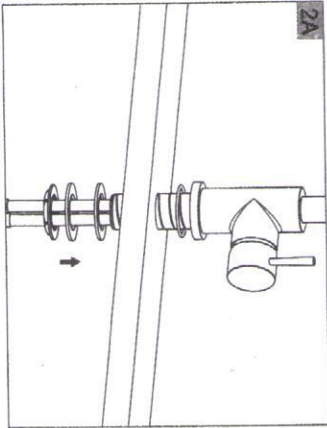
**IMPORTANT NOTICES:** For easy installation, please read all the instruction completely before beginning. Before installing this product, make sure that water line trash is cleared to avoid blockage.

## YOU MAY NEED

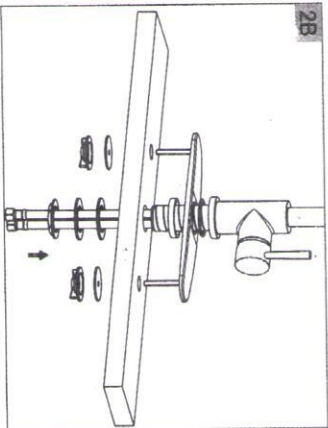
# INSTALLATION PROCEDURES



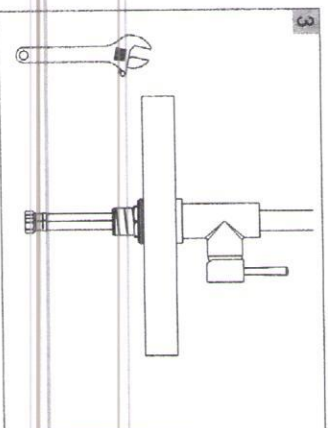
Remove any debris from valve outlets. Turning off the water supply valves. This is usually found near the water meter. If you are replacing an existing faucet, remove the faucet from the sink and clean the sink surface thoroughly.



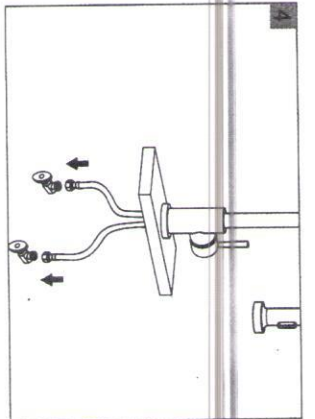
Install without Deck Plate: Make sure the O-RING is placed onto the bottom of Base Ring. Install faucet through hole in sink. From underside of sink, attach mounting assembly. Position faucet on sink properly and tighten Mounting Nut.



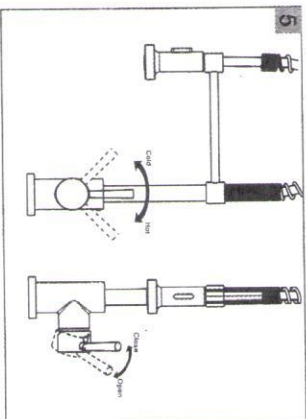
Install with deck plate: Assemble mounting screws onto underside of deck plate. Position deck plate onto 3-hole mount of sink. From underside of sink, tighten plastic mounting nut. Make sure the O-RING is placed onto the bottom of Base Ring of faucet. Install faucet through hole in deck plate. From underside of sink, attach mounting assembly. Position faucet on deck plate properly and tighten Mounting Nut.



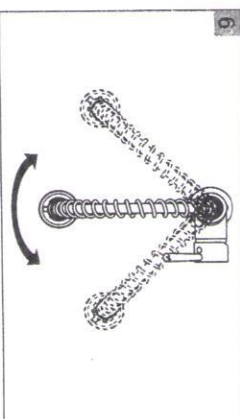
If necessary, tighten screws using an adjustable wrench until the faucet is firmly connected to the sink.



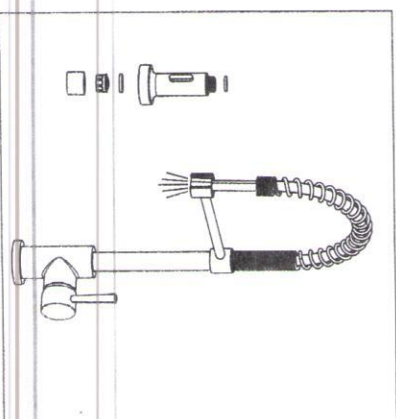
Connect hot and cold water supply lines to the Water Supply Valves.



Lift the handle up, the cartridge will be activated allowing water to flow. The water flow will increase by continuing to rotate handle. By rotating the handle to the right, the water temperature will decrease to cold flow only. By rotating Handle to the left, the water temperature will increase to hot only.



Swing Spout



Faucet Start Up

After installation is complete, remove aerator and rotate handle to the closed position. Turn on the water supply valves, and check all connections for a leak. Turn on your faucet and allow both hot and cold water to run at least one minute each. Replace Aerator.