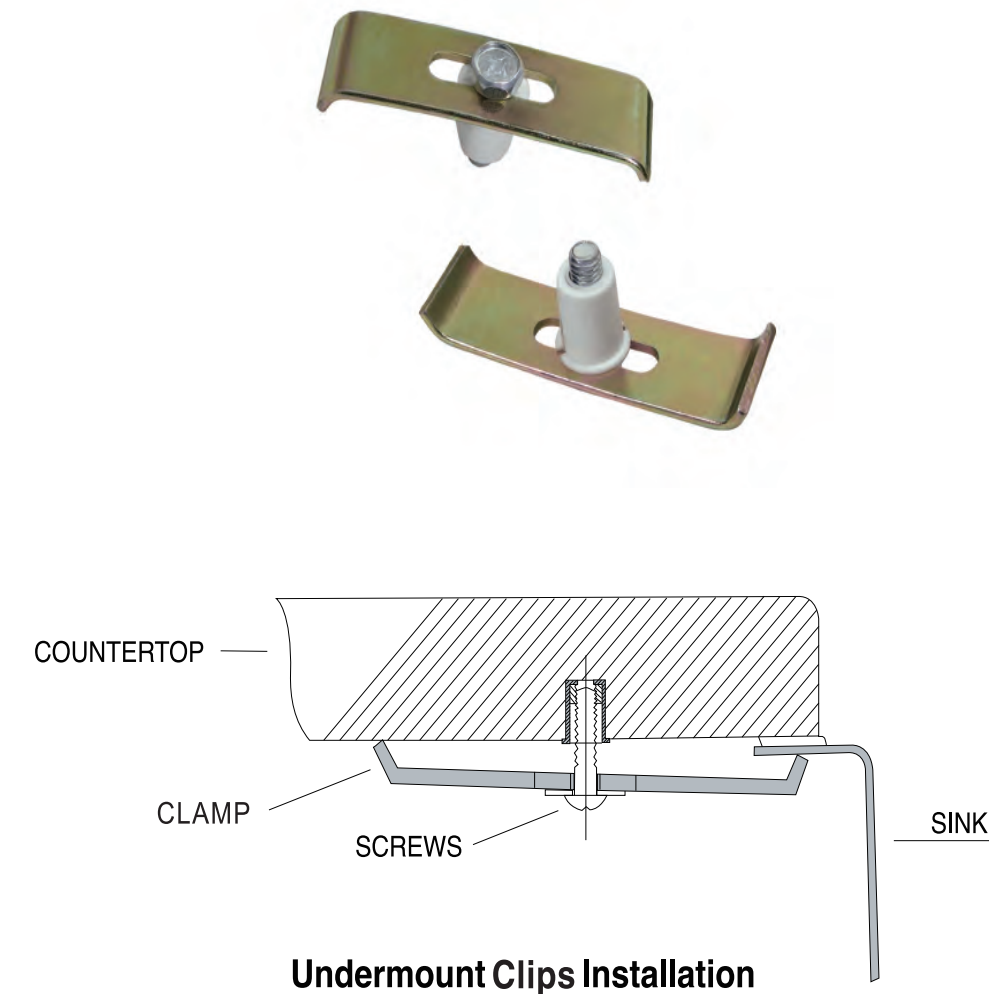


Specification

| Model Number | Depth-Inches | Drain Placement |
|-----------------|--------------|-----------------|
| KSN-3018 | 9" | Back |



Installation Detail



SINK DESCRIPTION

- ▶ 1800 series single bowl undermount sink
- ▶ 18 gauge stainless steel, Brushed finish
- ▶ Back drain location
- ▶ Mounting brackets included, other standard mounting hardware and silicone sealant not included
- ▶ Sound SHIELD sound absorbing system

CUTOUT DIMENSTIONS

- ▶ Template included : template number KSN-3018

PRODUCT COMPLIANCE

- ▶ Third party certified by IAPMO to meet ASME A112.19.3/CSA1345.4 and all applicable specifications referenced therein

WARRANTY

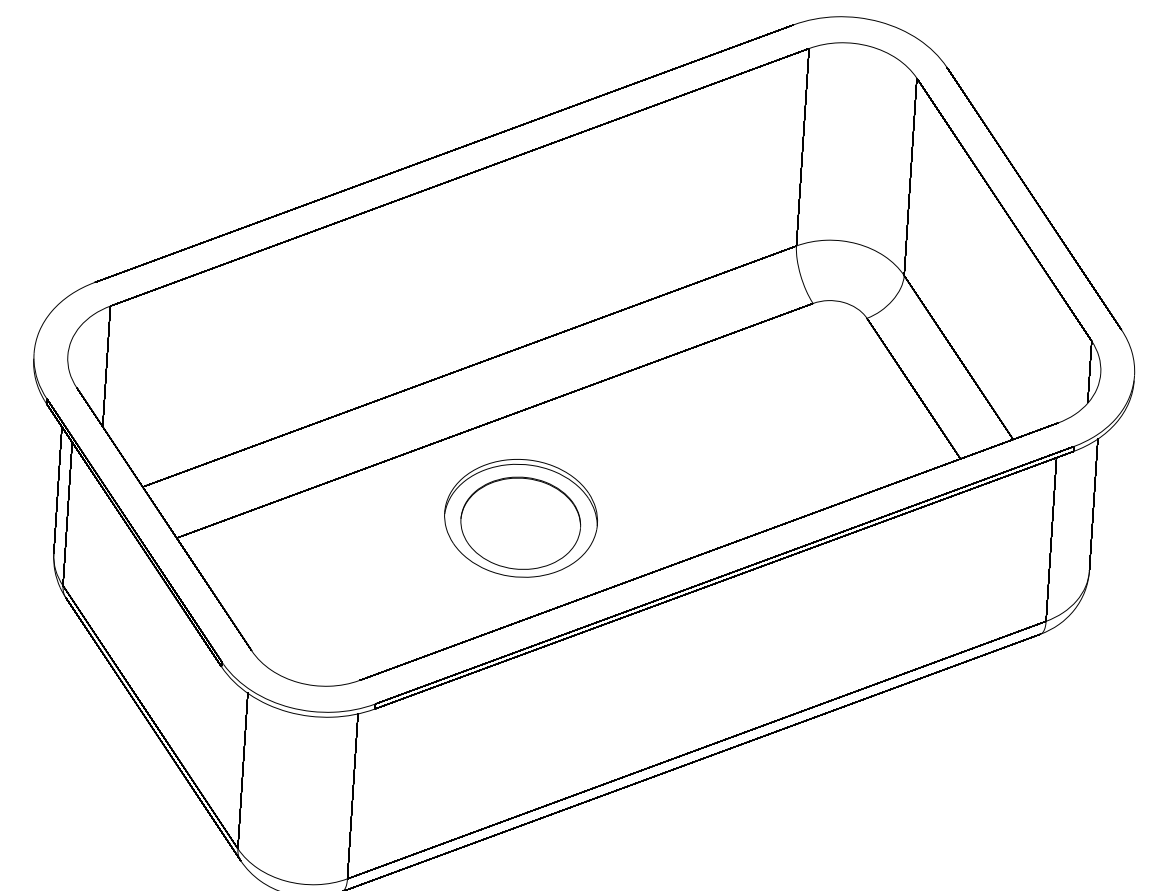
- ▶ Limited lifetime warranty against material or manufacturing defects to the original consumer purchaser

TECHNICAL SPECIFICATION

| Installation | Under-mount |
|-------------------|--|
| Bowl area | Length: 30" (Outside) 28" (Inside) Width: 18" (Outside) 16" (Inside) Bowl Depth : 9" |
| Drain Hole | 4-1/2" |
| Template | required , Included |

Note:

Install this product according to the installation instruction
Minimum base cabinet width 33"
Consult an installer for confirmation.



CRITICAL DIMENSIONS

(DO NOT SCALE)

