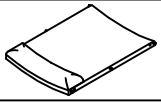








ASSEMBLY INSTRUCTION FOR ACME FURNITURE


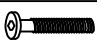

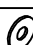
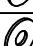

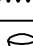
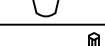

MODEL#59535/59536

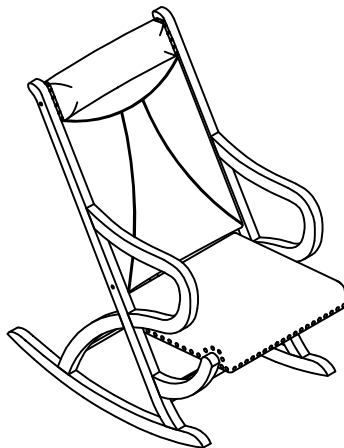
Thank you for purchasing the quality product. Be sure to check all packing material carefully for small parts which may have come loose inside the carton during shipment. Separate, identify and count all parts and metal hardware. Compare with all parts list to be sure all parts are present. If any part(s) are missing or damaged, please contact your local furniture dealer. For efficient and speedy service, please indicate the model number and code letter of part(s) needed.

***** Do not fully tighten screws until fully assembled *****

COMPONENT PARTS			
DESCRIPTION	PART NAME		QTY (PCS)
①	CHAIR BACK		1PC
②	BACK LEG (L & R)		2PCS
③	SIDE STRETCHER (L & R)		2PCS
④	LEG		2PCS
⑤	SEAT PAD CUSHION		1PC
⑥	FRONT STRETCHER		1PC
⑦	SEAT FRAME BOTTOM RAIL		1PC

HARDWARE REQUIRED

(A)		BOLT	Ø 1/4"x 2"	6PCS
(B)		BOLT	Ø 1/4"x 1 1/2"	8PCS
(C)		SPRING WASHER	Ø 1/4" x 3/8"	14PCS
(D)		FLAT WASHER	Ø 1/4" x 1/2"	10PCS
(E)		FLAT WASHER	Ø 1/4" x 3/4"	4PCS
(F)		SCREW	Ø 1/4" x 1 1/2"	4PCS
(G)		WOOD PLUG	Ø 1/2" x 5/16"	4PCS
(H)		ALLEN KEY	M4	1PC
(I)		SCREWDRIVERS		

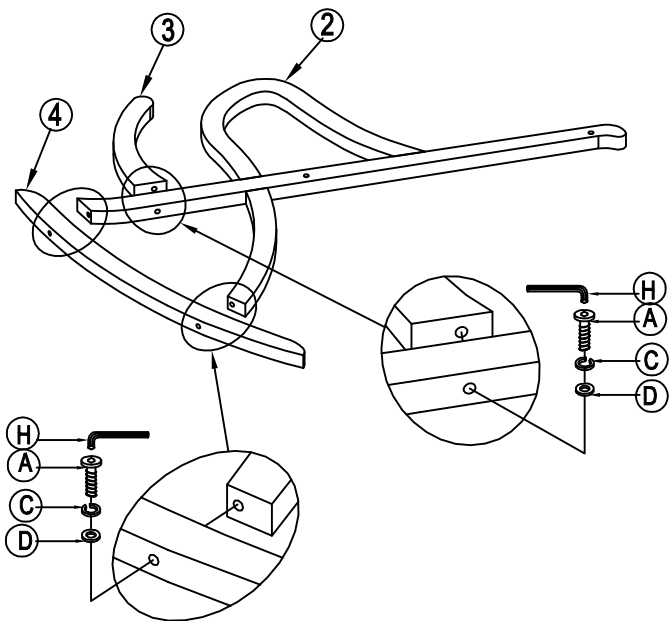


Attention

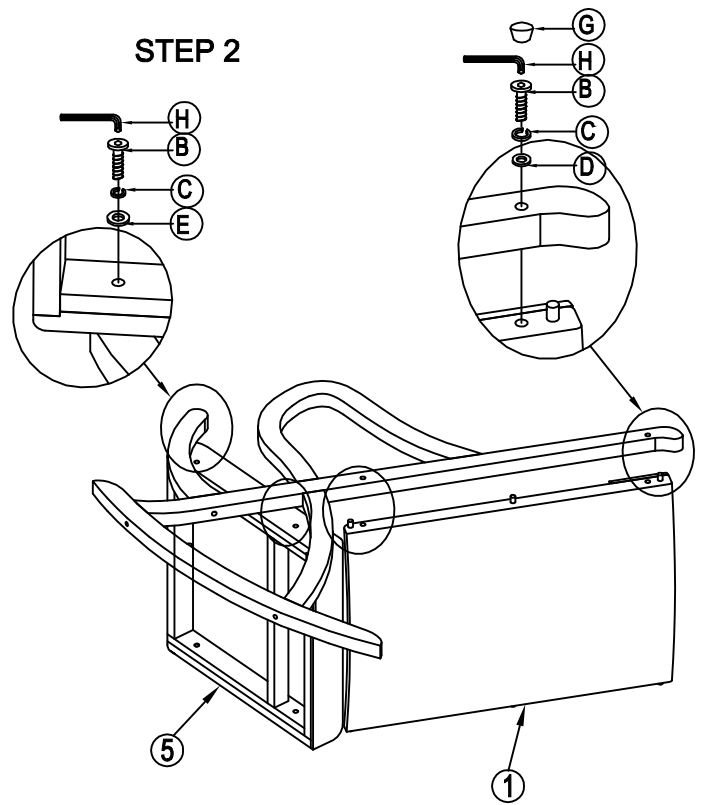
***** Some number parts listed on the instruction sheet may not be in parts bag as they may already be assembled. Carefully check parts and packing materials prior to ordering replacements.**

How to assemble

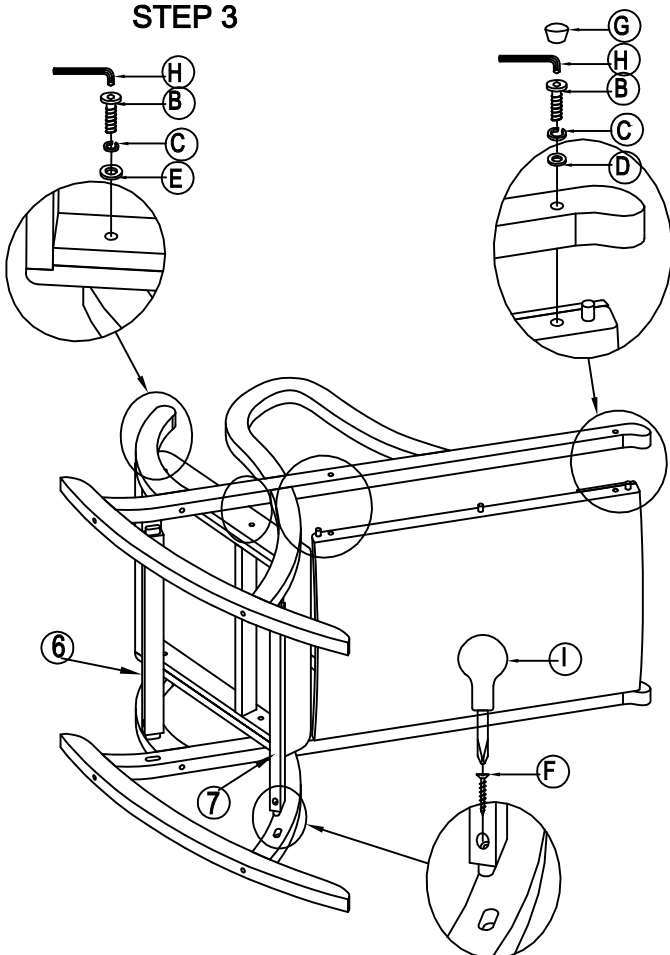
STEP 1



STEP 2



STEP 3



STEP 4

