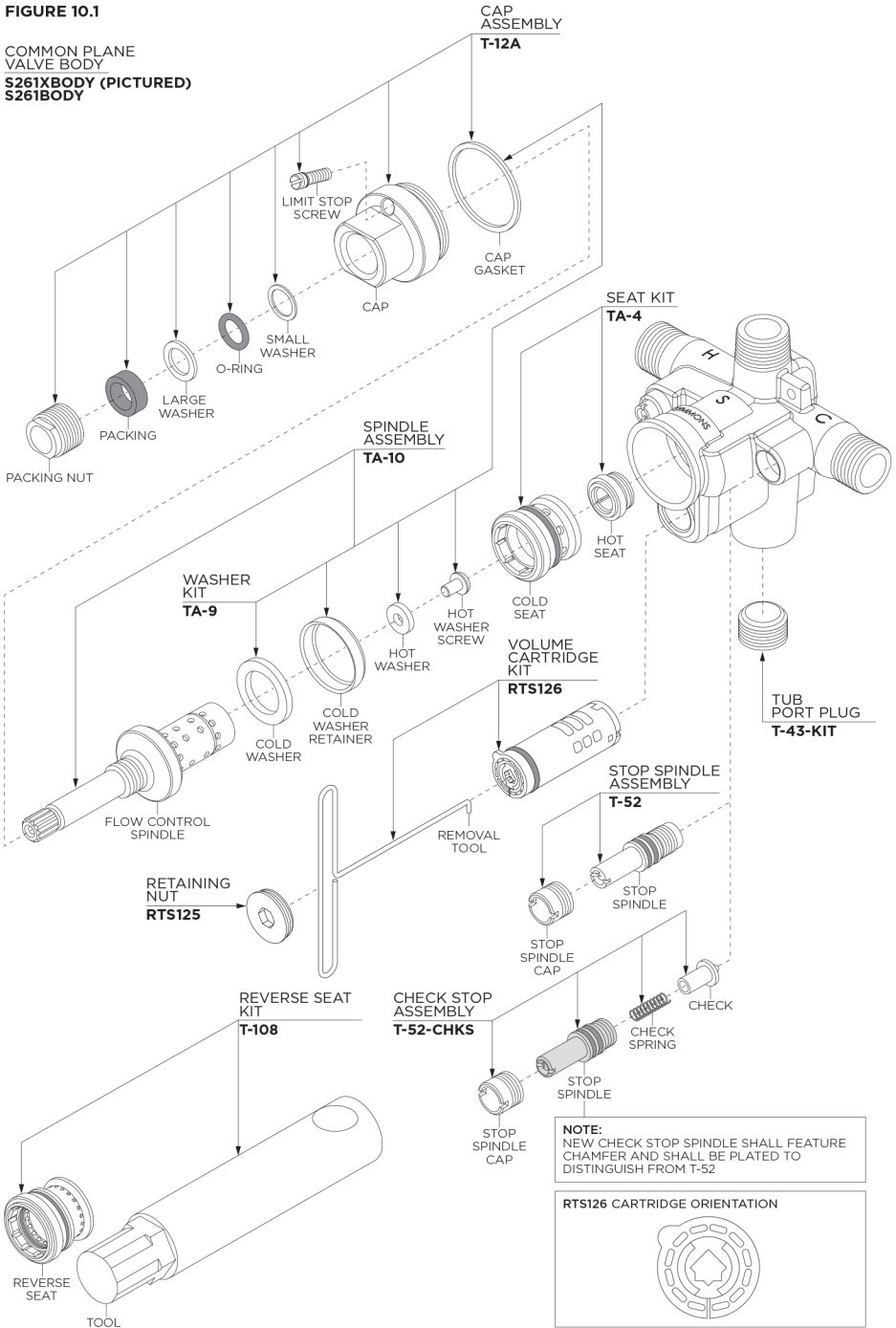


FIGURE 10.1

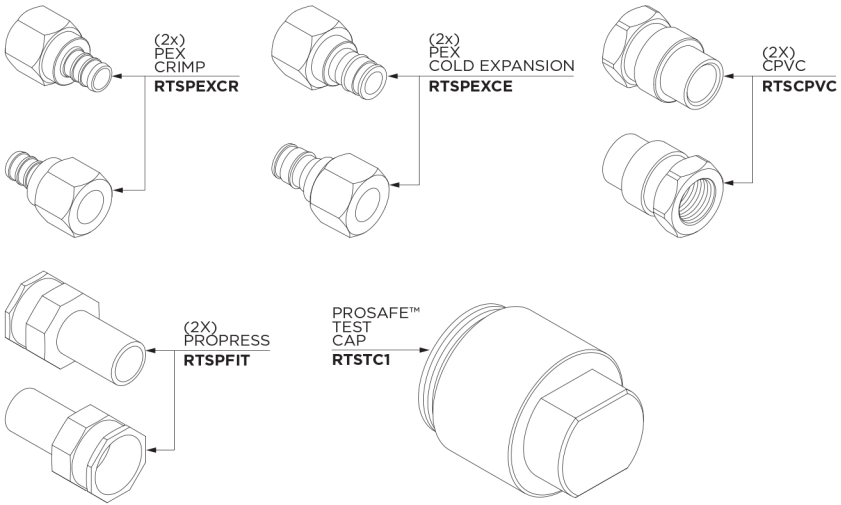
COMMON PLANE
VALVE BODY
S261XBODY (PICTURED)
S261BODY



PARTS BREAKDOWN

FIGURE 10.2

VALVE BODY FITTING MODIFICATIONS



MOUNTING BRACKET COMPONENTS

