



**DESCRIPTION:**

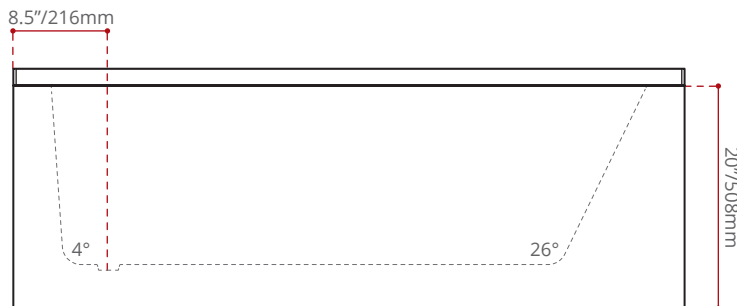
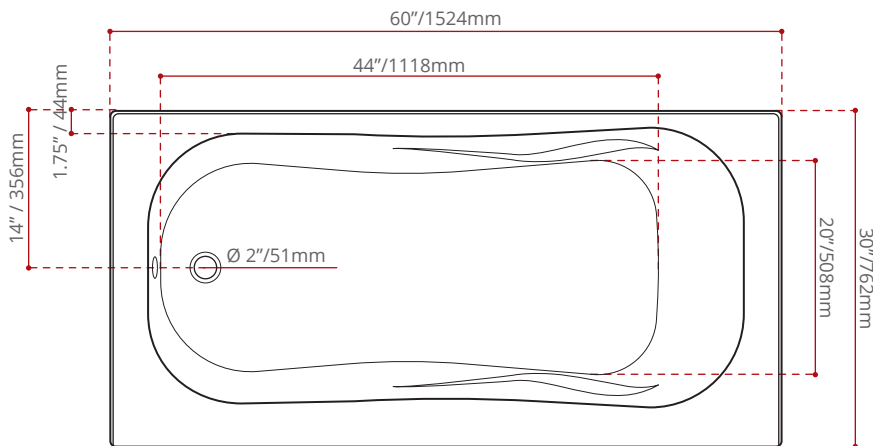
- Classic Style
- Plain skirt.
- Left or Right Drain.
- High gloss / Crack-resistant acrylic.
- Made in Canada.
- Complies with CSA & IAPMO standards.

**AVAILABLE OPTIONS:**

- Biscuit & black Colour.
- 3/4 Set back wood apron.
- Removable access panel.
- Skirt cut-off.
- Plain skirt.
- Double tilling flange.
- Textured Bottom

**JETTING OPTIONS:**

- Lateral Air jets.
- Air illusion jets.
- Filler air jets.
- Square zen jets.
- Neck-Jet massage system.
- Whirlpool jets.
- V-Masseuse.
- Chromatherapy.
- Aromatherapy.
- Comfort Warm



**WATER DEPTH**

12.5"/318mm

**CAPACITY**

57.74 gal.  
218.5 litres of water

**SHIPPING DIMENSIONS**

62 x 32 x 24" / 1575 x 813 x 610mm

**NET WEIGHT**

30 kg / 66 lbs

**GROSS WEIGHT**

37 kg / 82 lbs

Measurements may vary ±5mm  
- Diagram NOT to scale -

