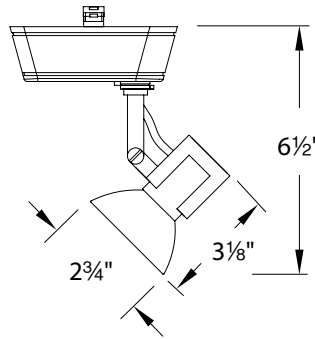


RADIANT – model: 856, 856LED

120V Track MR16 Luminaire

WAC LIGHTING

Responsible Lighting®



Fixture Type:

Catalog Number:

Project: _____

Location: _____

PRODUCT DESCRIPTION

Experience the warm charm and high style of the Radiant low voltage track luminaire. Designed in four finishes including an elegant Antique Bronze, the Radiant features a transitional look with a rich elegance that compliments many architectural styles, ideal for various spot lighting applications.

FEATURES

- Available with LED lamp option
- 350° horizontal rotation and 90° vertical aiming
- Screw and swivel yoke for precise aiming adjustment
- Fully enclosed back to prevent light leaks
- Easily re-lamped from the front
- Accommodates 1 additional lens or accessory with the use of lens clip
- Dimmable
- 5 year WAC Lighting product warranty

SPECIFICATIONS

Construction: Die-cast aluminum fixture with polycarbonate track adapter. Ceramic bi-pin socket.

Finish: Electroplated Antique Bronze (AB) and Brushed Nickel (BN), Powdercoat paint Black (BK) and White (WT).

Transformer: LED Version - 1W minimum load.
Halogen Version - 20W minimum load (1W minimum load available). Consult factory for more details.

Lamp: 856 model uses 12V MR16, 50W max (not included).
856L model uses 12V MR16, 75W max (not included).
856LED model uses 12V, 8W MR16 LED lamp (included).
450 lumens, 3000K CCT, 25,000 hour rated life, CRI: 85.

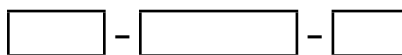
Dimming: With electronic low voltage (ELV) dimmer, LED lamp dims to 10%; Halogen lamp dims to 1%.

Standards: UL & CUL Listed.

ORDER NUMBER

System	Model #	Power	Lamp	Finish
LHT L Track	856LED	8W	LED	AB Antique Bronze
HHT H Track	856	50W max	Halogen	BK Black
JHT J/J2 Track	856L	75W max	Halogen	BN Brushed Nickel
				WT White

FINISHES



Example: LHT-856L-BN

ACCESSORIES

Must be ordered with a lens clip – Model #: LENS-16-CLIP

Color Lens	AMB	Amber	UV Filter	LENS-16-UVF
	BLU	Blue	Frosted Lens	LENS-16-FR
	GRN	Green	Spread Lens	LENS-16-SPR
	RED	Red	Beam Elongating Lens	LENS-16-BEL
	YEL	Yellow	Honeycomb Louver	LENS-16-HCL

WAC Lighting

www.waclighting.com

Phone (800) 526.2588 • Fax (800) 526.2585

Headquarters/Eastern Distribution Center

44 Harbor Park Drive • Port Washington, NY 11050

Phone (516) 515.5000 • Fax (516) 515.5050

Western Distribution Center

1750 Archibald Avenue • Ontario, CA 91760

Phone (800) 526.2588 • Fax (800) 526.2585