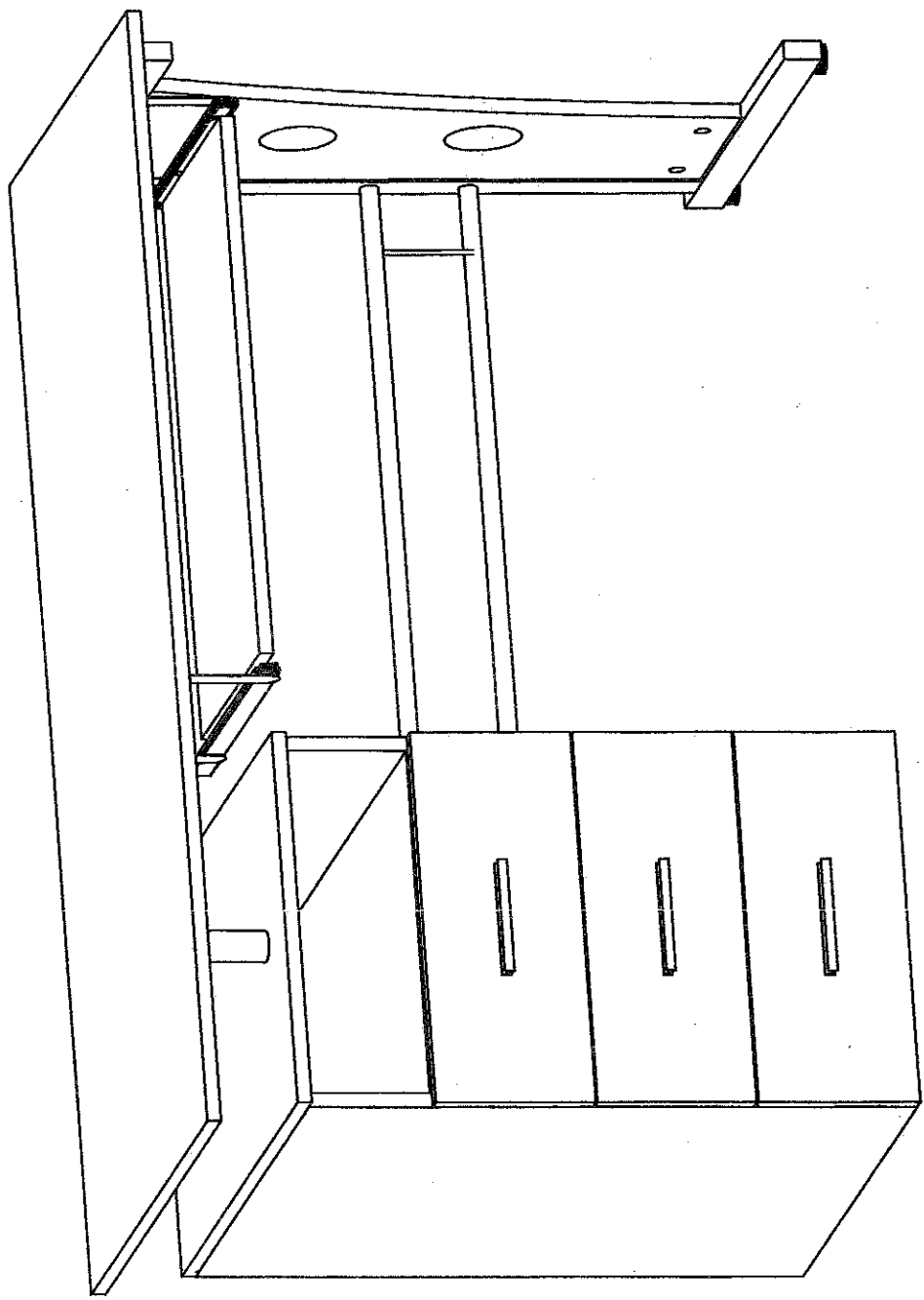


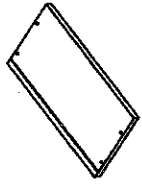
NAN-WK-008-GG



IMPORTANT: DON'T FASTEN BOLTS UNTIL ALL PARTS IN POSITION.

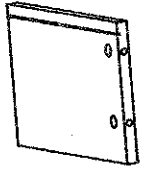
PART

A



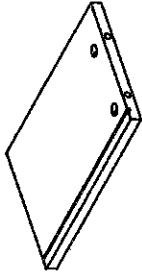
X3

B



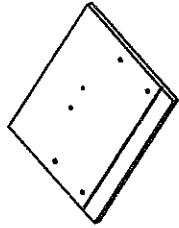
X3

C



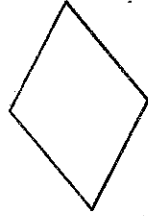
X3

D



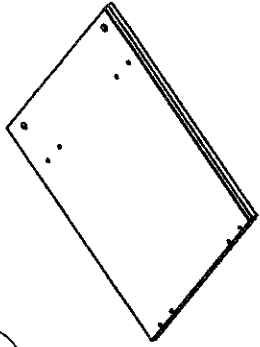
X3

E



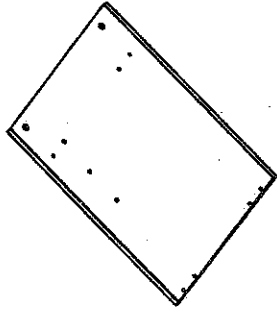
X3

F



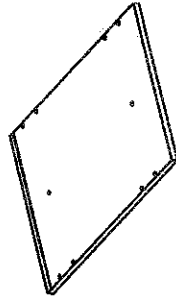
X1

G



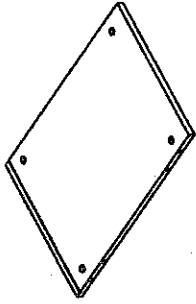
X1

H



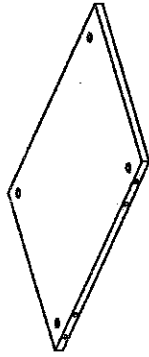
X1

I



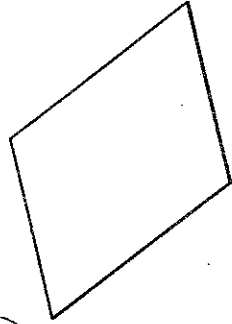
X1

J



X1

K



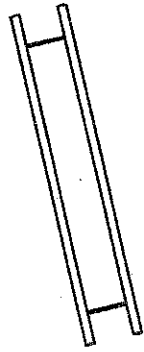
X1

L



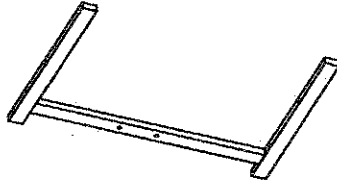
X2

M



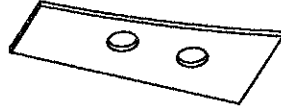
X1

N



X1

O



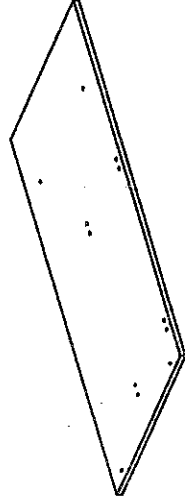
X1

P



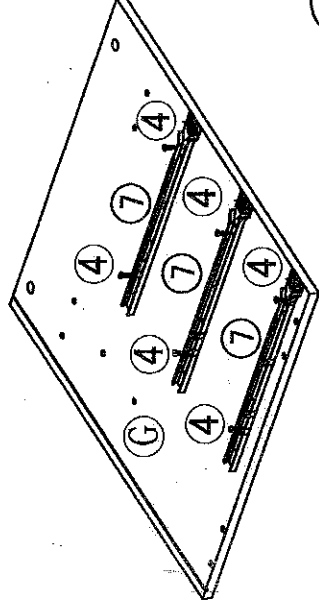
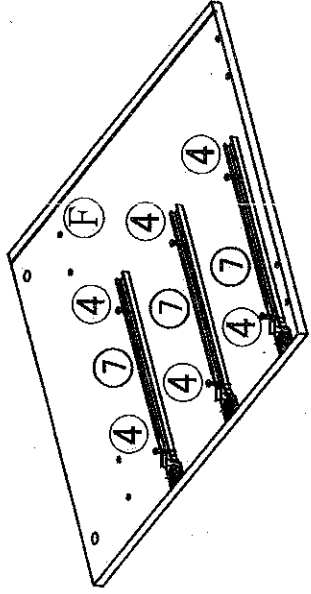
X1

Q



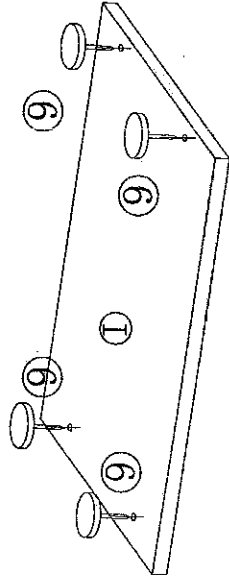
X1

3



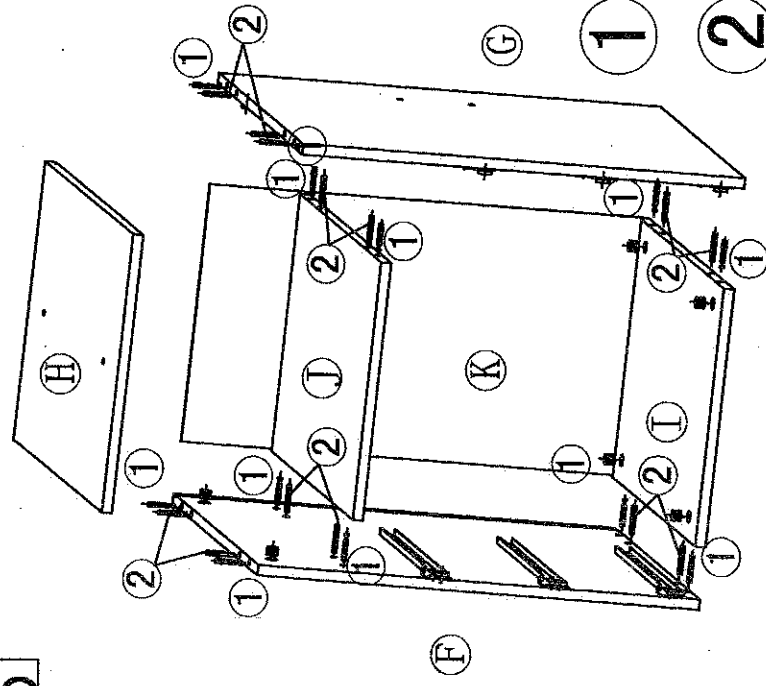
4 X12

4



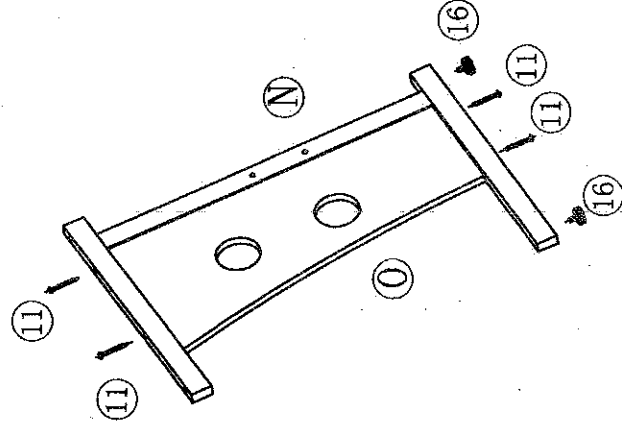
9 X4

5



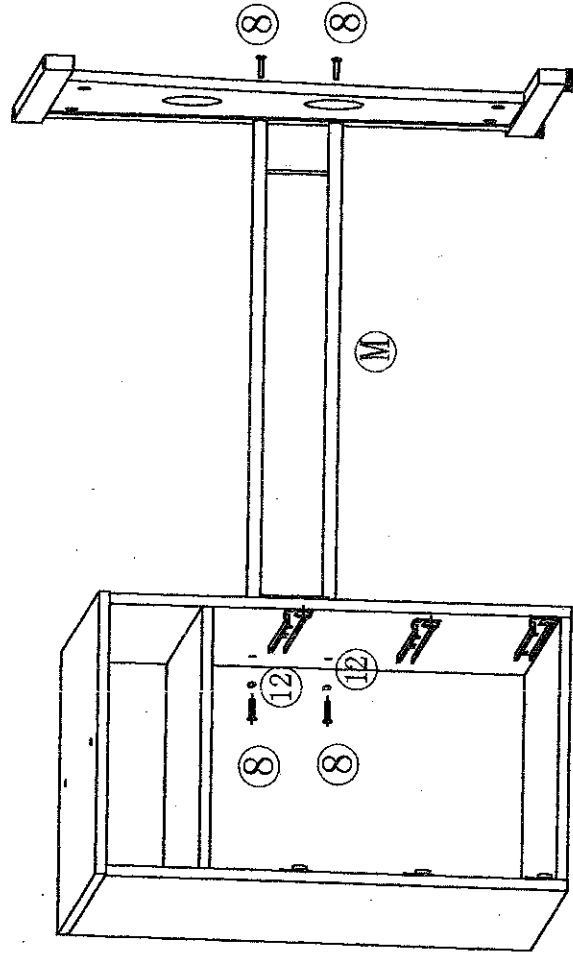
1 X12
2 X12

6



11 X4
16 X2

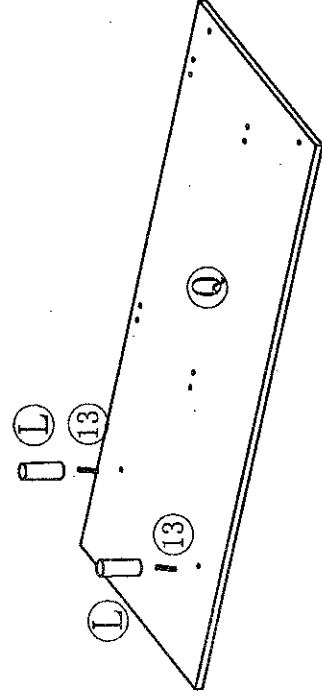
7



8 X4

12 X2

8



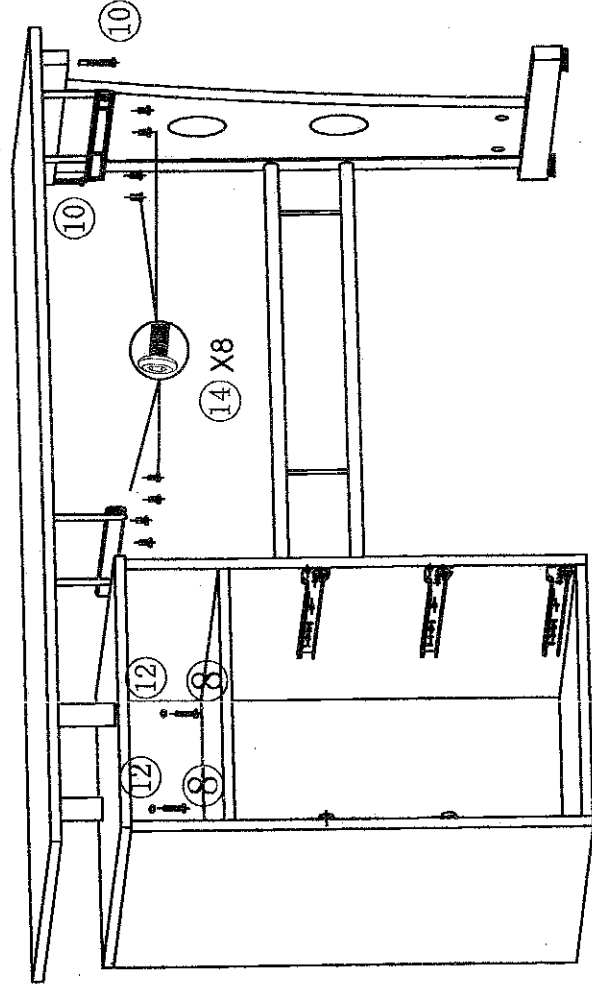
8 X2

10 X2

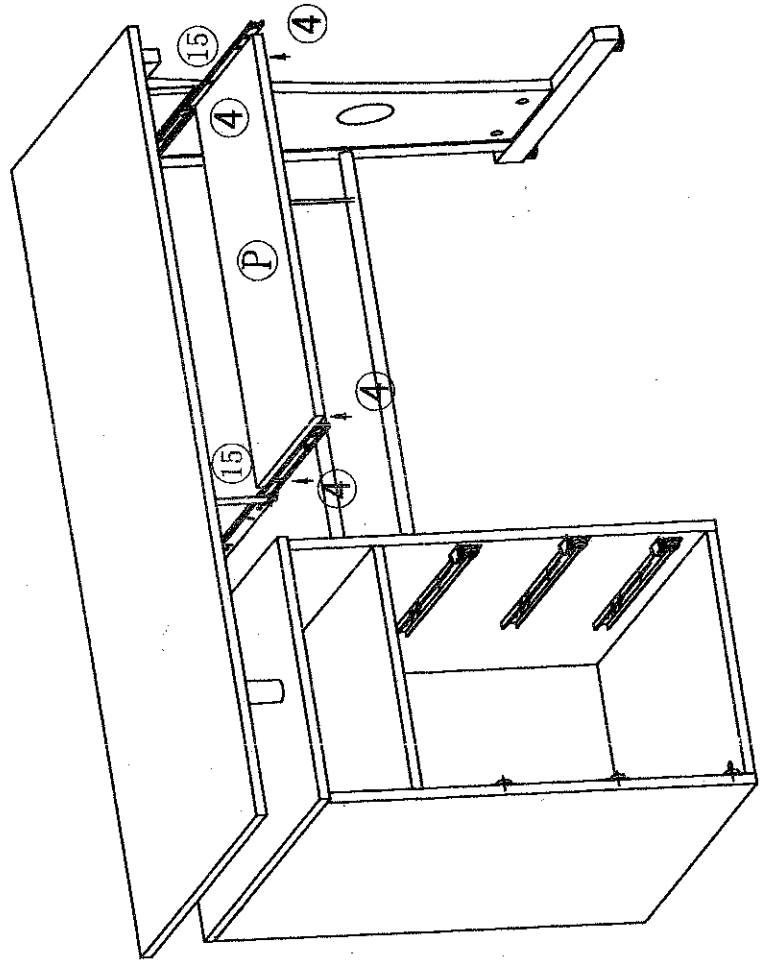
12 X2

13 X2

14 X8



9



4 X4

10

