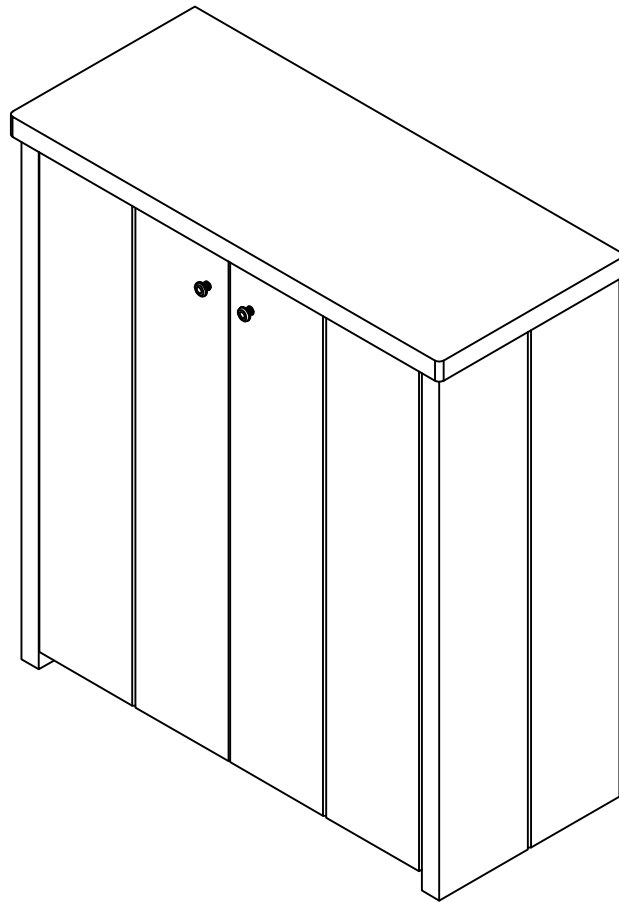


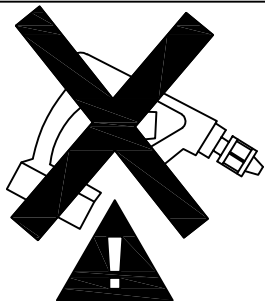
ASSEMBLY INSTRUCTION

Shoe Cubbie

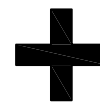
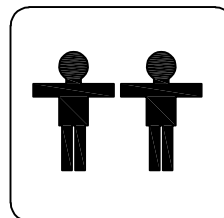


REPLACEMENT PARTS

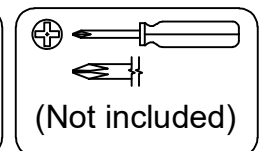
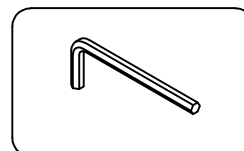
Please do not contact the company purchased from as we can help you faster.
Order replacement parts and hardware at " www.boltonfurniture.com "



- . Use of power tool to assemble this product will invalidate any claim and damage this product making it unsafe !!!
- . Please assemble on a clean soft surface to avoid damage.

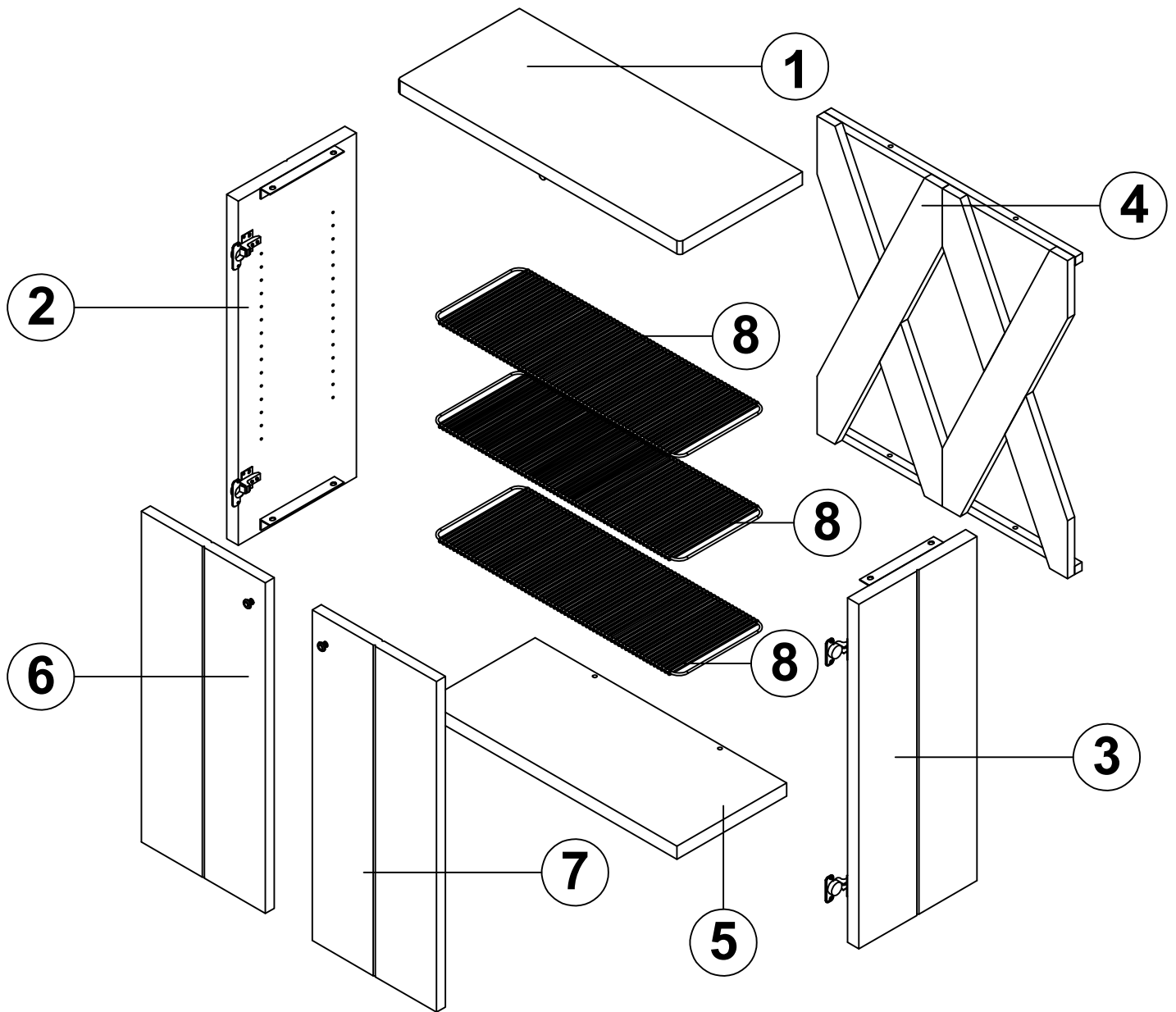


Tools Required



www.boltonfurniture.com

Part list - Shoe Cubbie



Identifying the hardware-Identify the hardware using the illustrations below

A



02

B



02

C



M6x20MM BOLT

08

D



M6x40MM BOLT

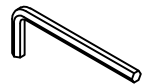
04

E



12

F



01

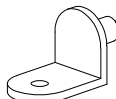
G



Wood Screw

24

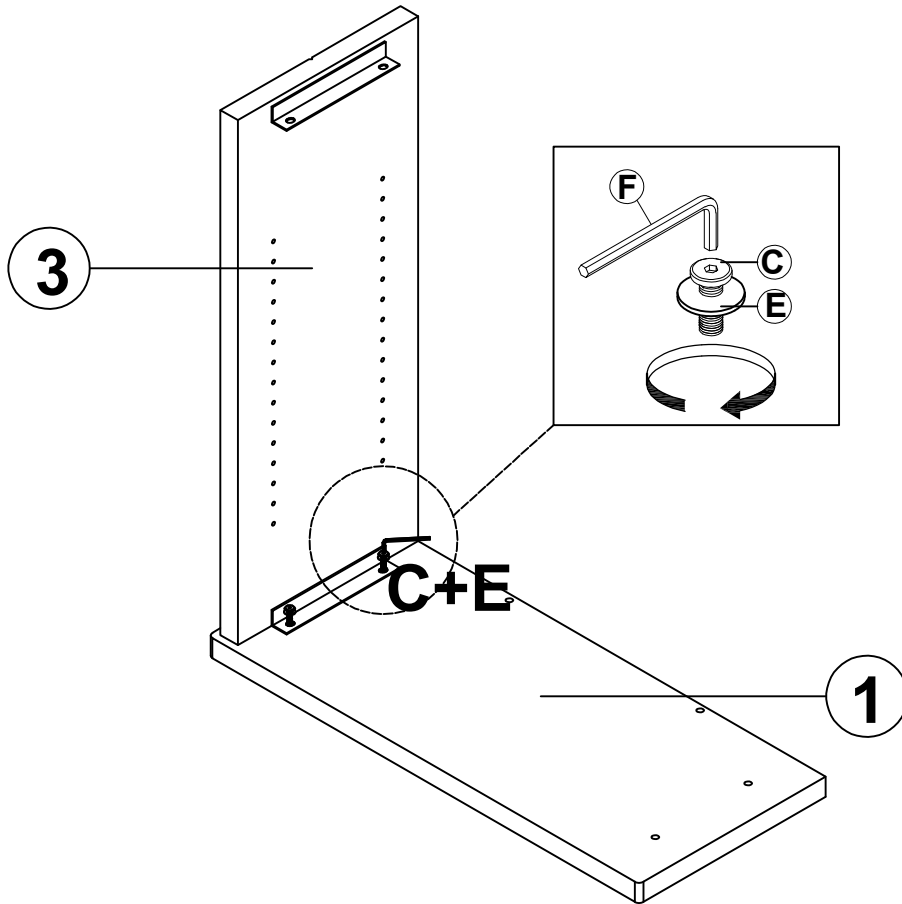
H



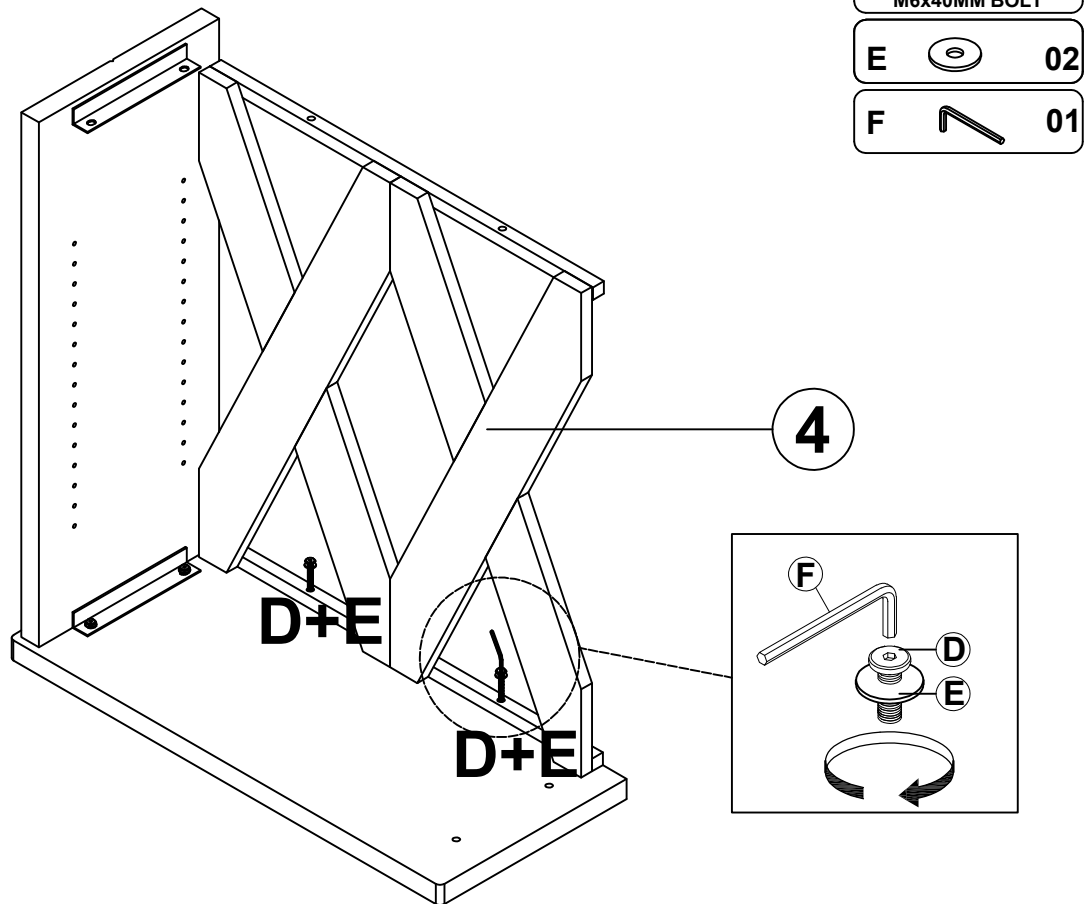
12

www.boltonfurniture.com

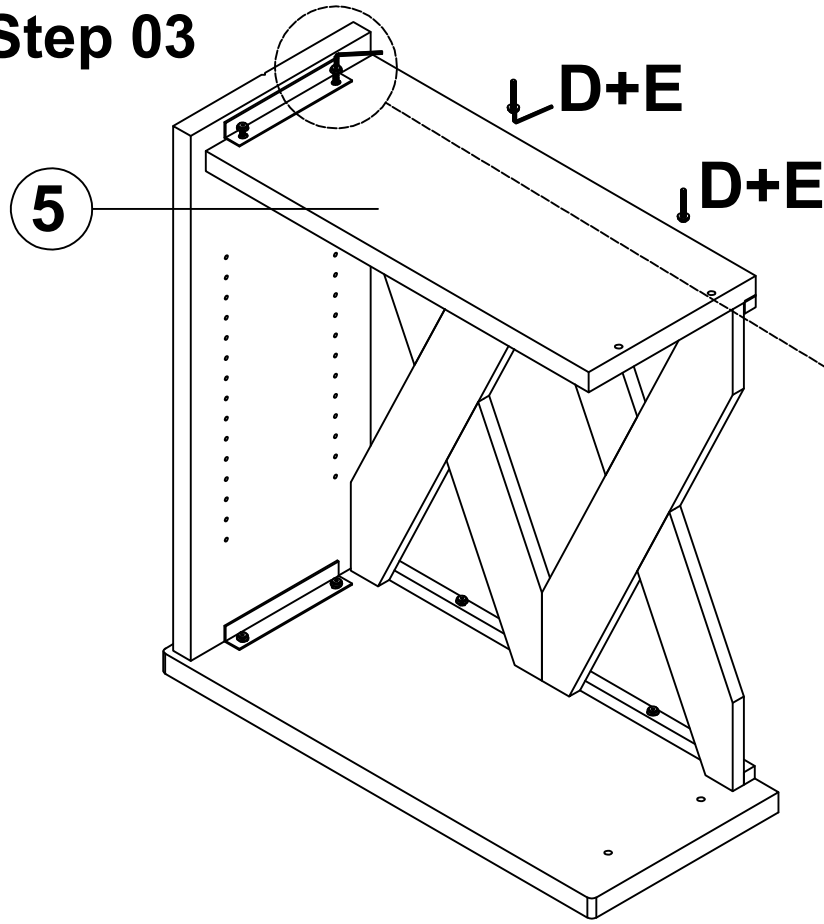
Step 01


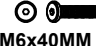




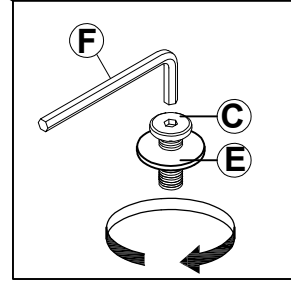
Step 02



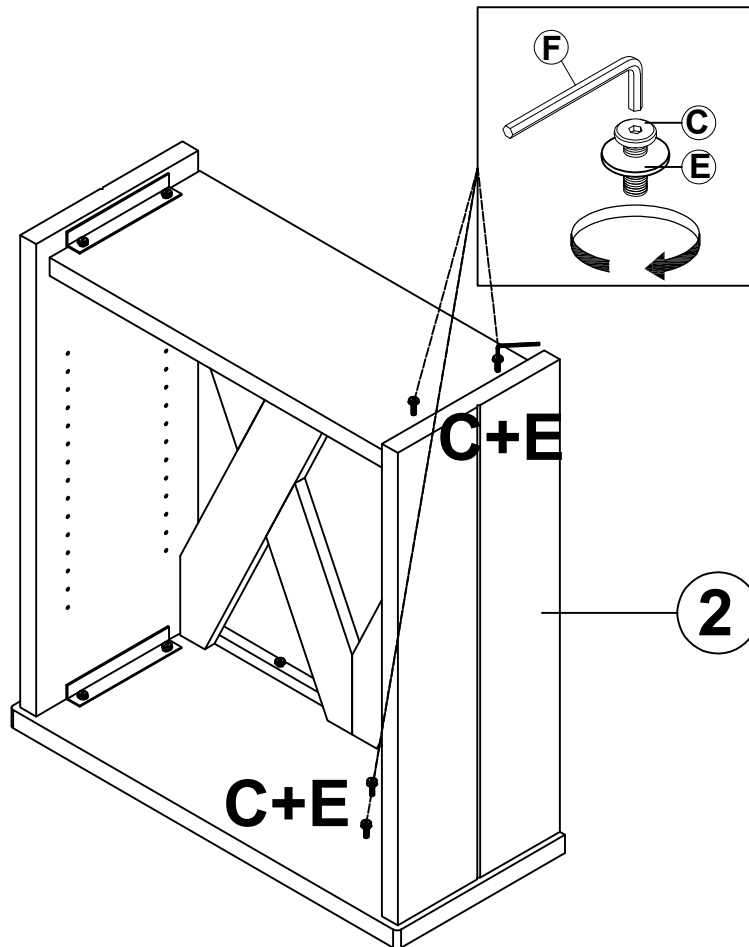
Step 03






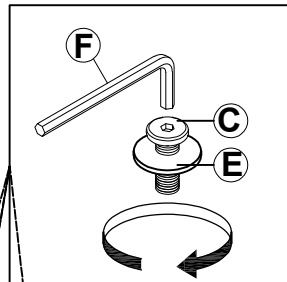
- C**  **02**
M6x20MM BOLT
- D**  **02**
M6x40MM BOLT
- E**  **04**
- F** 




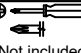
Step 04

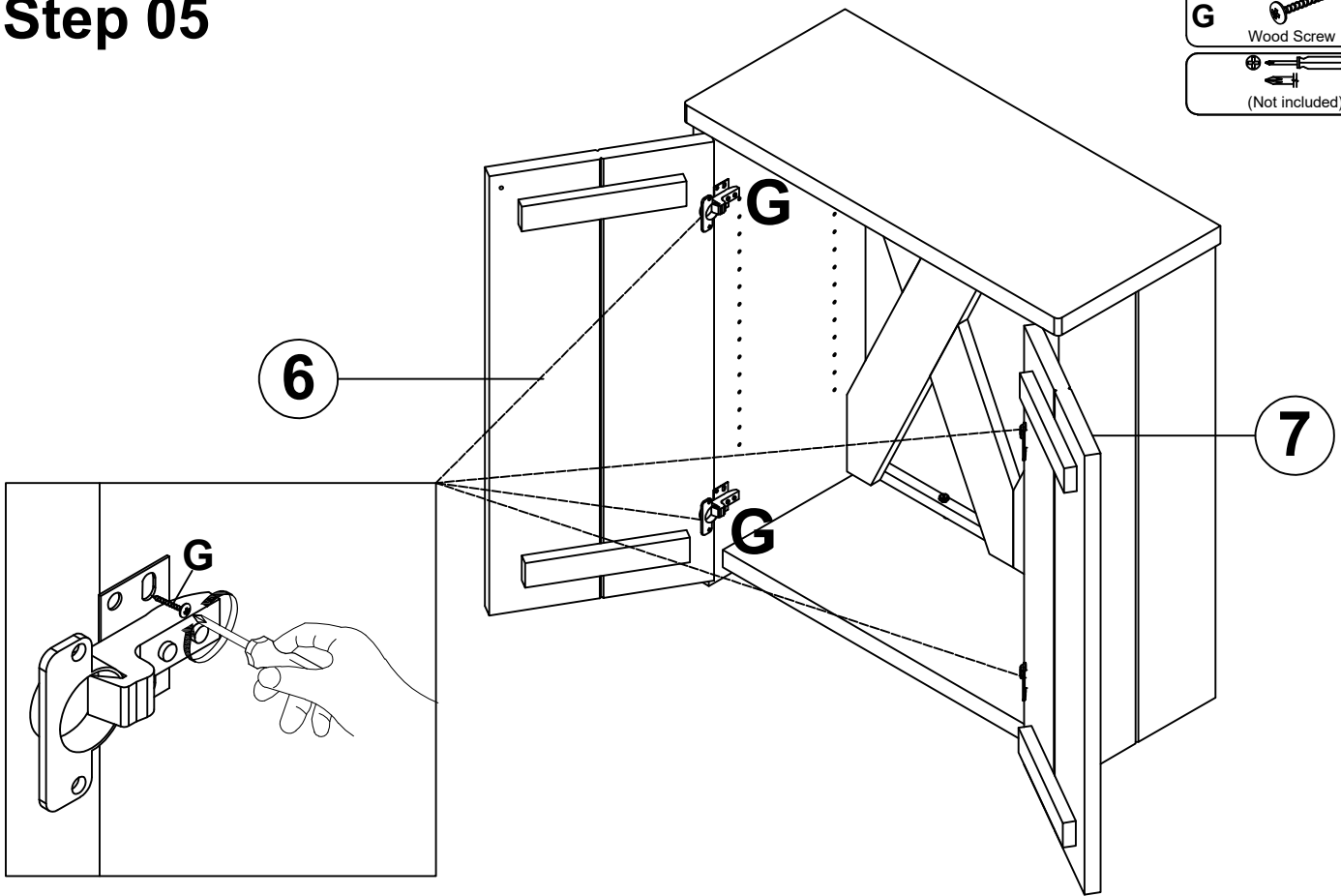


- C**  **04**
M6x20MM BOLT
- E**  **04**
- F** 



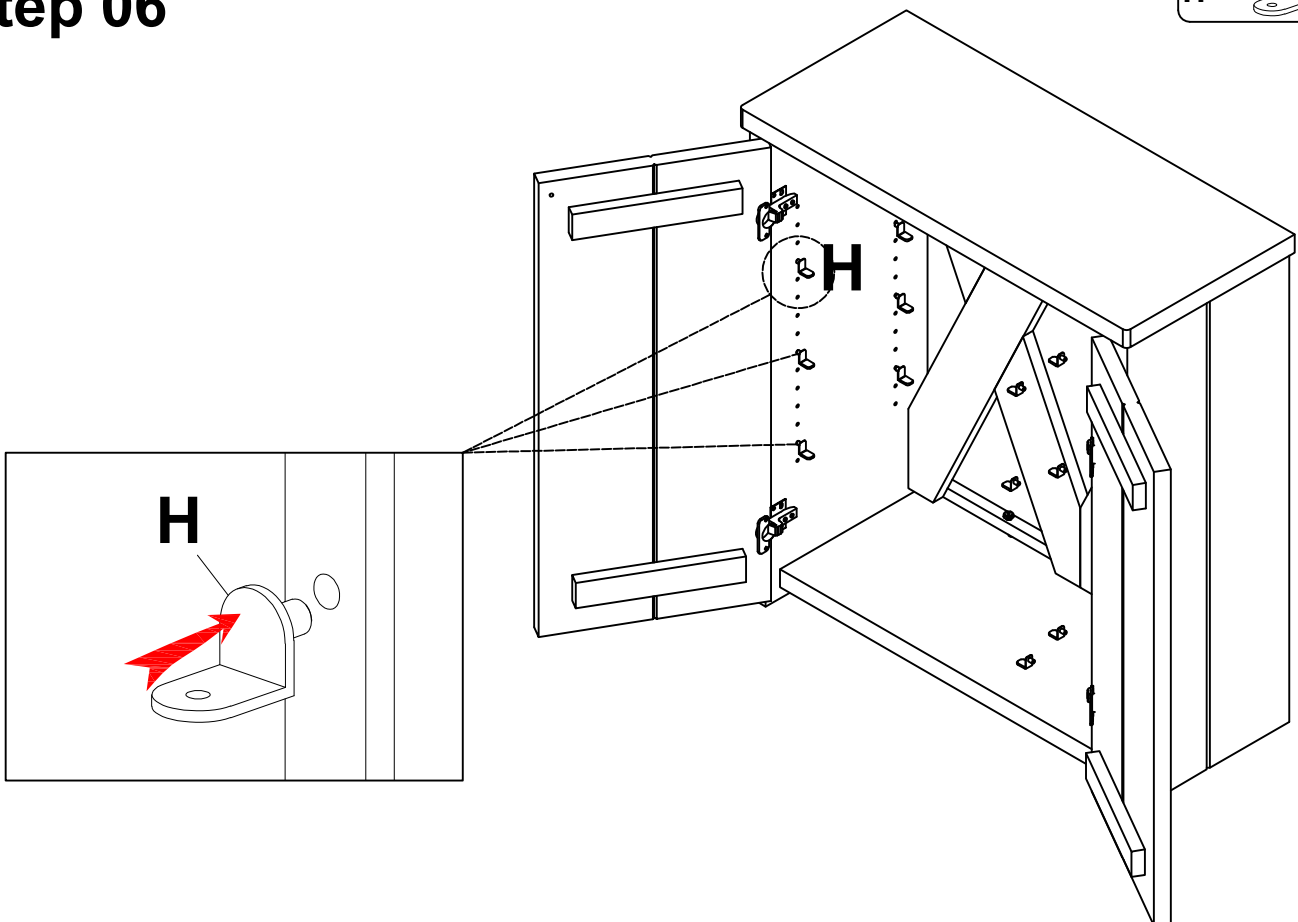
Step 05

G		24
	Wood Screw	
		01
	(Not included)	

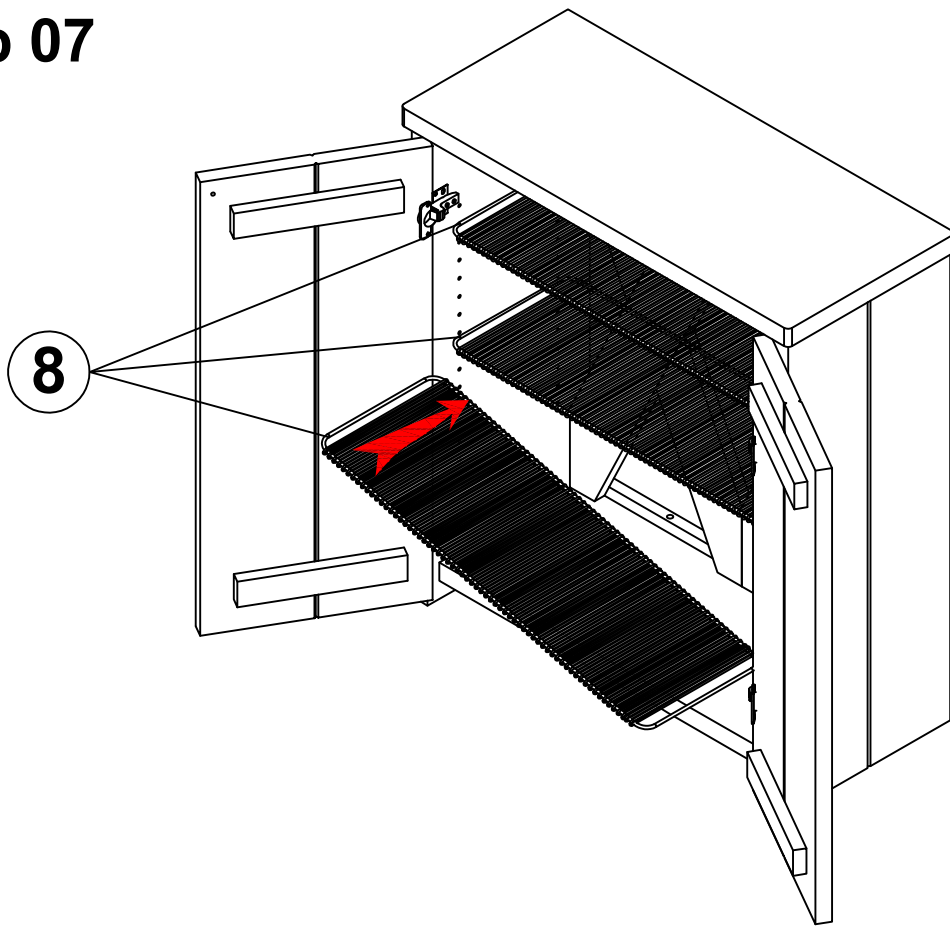


Step 06

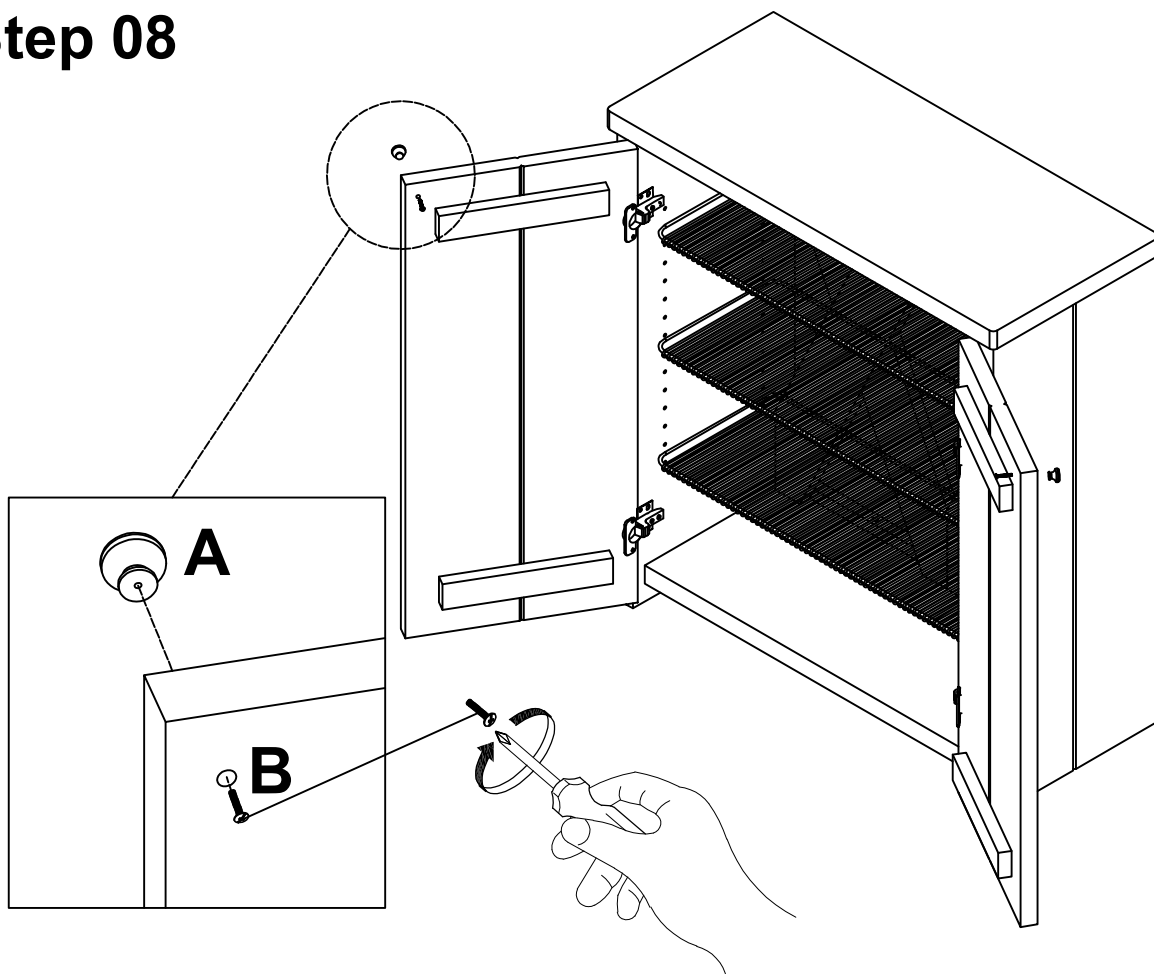
H		12
----------	---	-----------



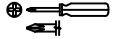


Step 07



Step 08



- A**  **02**
- B**  **02**
-  **01**
(Not included)