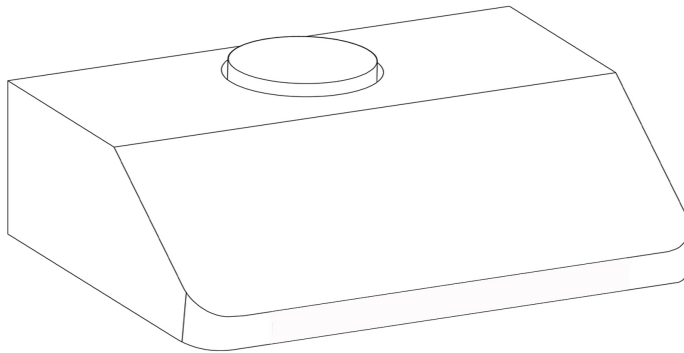




## Undercabinet Range Hood



30RH01/ 36RH02

## Installation Guide and Users Manual



Dear Customer,

If you follow the recommendations contained in this Instruction Manual, our appliance will give you constant high performance and will remain efficient for many years to come.

## **CONTENTS**

---

WARNING

RECOMMENDATIONS AND SUGGESTIONS

CHARACTERISTICS

INSTALLATION & USE

MAINTENANCE&CLEAN

## **WARNING**



---

**TO REDUCE THE RISK OF FIRE, ELECTRIC SHOCK OR INJURE TO PERSONS,  
PLEASE OBSERVE THE FOLLOWINGS:**

- 1 . Installation work and electric wiring(including switch location) must be done by the qualified person(s) in accordance with local applicable codes and standards, including fire-rated construction.
- 2 . This hood may have sharp edges. Be careful to avoid cuts and abrasions during installation and cleaning.
- 3 . The hood must be placed at a minimum distance of 60cm from the cook panel.
- 4 . Sufficient air is needed for proper combustion and exhausting of gases through the chimney of fuel burning equipment to prevent backdrafting. Follow the heating equipment manufacturer's guideline and safety standards such as those published by the National Fire Protection Association, and the American Society for Heating, Refrigeration and Air Conditioning Engineer(ASHRAE), and the local code authorities.
- 5 . Ducted fans must always be vented to the outdoors.

- 6 . This appliance is design to be operated by adults. Children were not allowed to temper with the controls or play with this appliance.
- 7 . **WARNING:** To reduce the risk of fire or electric shock,do not use this fan with any solid-state speed control device.
- 8 . When cutting or drilling into wall or ceiling, do not damage electrical wiring and other hidden utilities.

**WARNING-TO REDUCE THE RISK OF FIRE,USE ONLY THE METAL DUCTWORK.  
WARNING - TO REDUCE THE RISK OF INJURY TO PERSONS IN THE EVENT OF  
A RANGE TOP FIRE,OBSERVE THE FOLLOWING:**

1. SMOTHER FLAMES with a close-fitting lid,cookie sheet,or metal tray, then turn off the burner, BE CAREFUL TO PERVENT BURNS.If the flames do not go out immediately, EVACUATE AND CALL THE FIRE DEPARTMENT.
2. NEVER PICK UP A FLAMING PAN-You may be burned.
3. DO NOT USE WATER,including wet dishcloths or towels- a violent steam explosive will result.
4. Use an extinguisher ONLY if:
  - 1) You know you have a Class ABC extinguisher, and you already know how to operate it;
  - 2) The fire is small and contained in the area where it started;
  - 3) The fire department is being called;
  - 4) You can fight the fire with your back to an exit.

**WARNING-TO REDUCE THE RISK OF A RANGE TOP GREASE FIRE:**

1. Never leave surface units unattended at high settings. Boilovers cause smoking and greasy spillovers that may ignite. Heat oils slowly on low or medium settings.
2. Always turn hood ON when cooking at high heat or when flambeing food (i.e. Crepes Suzette, Cherries Jubilee, Peppercorn Beef Flambe').
3. Clean ventilating fans frequently. Grease should not be allowed to accumulate on fan or filter.
4. Use proper pan size. Always use cookware appropriate for the size of the surface element.

**WARNING- TO REDUCE THE RISK OF FIRE,ELECTRIC SHOCK,OR INJURY TO PERSON, OBSERVE THE FOLLOWING:**

1. Use this unit only in the manner intended by the manufacturer. If you have questions, contact the manufacturer.
2. Before servicing or cleaning unit, switch power off at service panel and lock the service disconnecting means to prevent power from being switched on accidentally. When service disconnecting means can not be locked. Securely fasten a prominent warning device, such as a tag, to the service panel.

**RECOMMENDATIONS AND SUGGESTIONS**

---

**INSTALLATION**

Before the final installation is made check that all parts are in the box. check the finish of the range hood ( scratches or dent ), check the operation of the range hood. If any issues Do Not install the range hood but bring it back to the store where it was purchased

\* The manufacturer will not be held liable for any damages resulting from incorrect or improper installation.

\* Please read this instruction manual before installing and using this cooker hood. Properly keep this instruction manual in a safe place for future reference.

\* This cooker hood can be used in the Ducted Mode only (ducting fumes to the outside only).

\* Only a qualified and trained service technician can undertake the work of installation and servicing.

\* Check that the mains voltage corresponds to the one indicated on the rating plate fixed inside the hood.

\* Check that the domestic power supply guarantees adequate earthing.

\* Do not connect the hood to exhaust ducts carrying combustion fumes (boilers, fireplaces, etc.)

\* If the hood is used in conjunction with non-electrical appliances (e. g. gas burning appliances), a sufficient degree of aeration must be guaranteed in the room in order to prevent the backflow of exhaust gas. The kitchen must have an opening directly with the open air in order to guarantee the entry of clean air.

\* The minimum distance is 30 to 32 inches from the cooker hood to a gas hob, and is 24 to 30 inches to an electric hob. If the installation instructions for gas hobs specify a greater distance, this must be taken into account.

**NOTICE:** Considering excessive weight, two or more people are required to install or move this appliance. Failure to do so can cause physical injuries.

## PREPARE THE HOOD

---

Unpack hood and check contents.

You should receive:

- 1 - Hood
- 2 - Installation Instructions
- 3 - Aluminum Flex Duct



4 - Parts Bag containing:



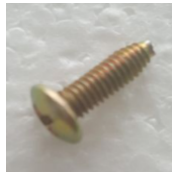
**Mounting bracket**  
QTY:2



**Hose clamp**  
QTY:1



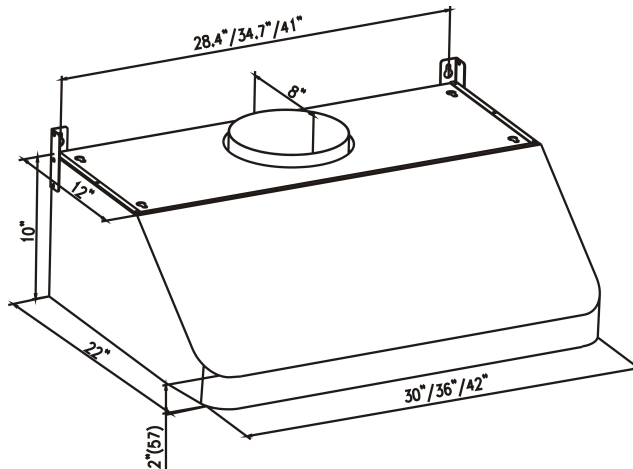
**Explode screws**  
QTY:4



**M4\*12**  
QTY:4

## CHARACTERISTICS

### Dimension



## **INSTALLATION&USE**

---

NOTE: on the stainless hoods, carefully remove the plastic protective film from exterior of the surfaces of the hood prior to final installation.

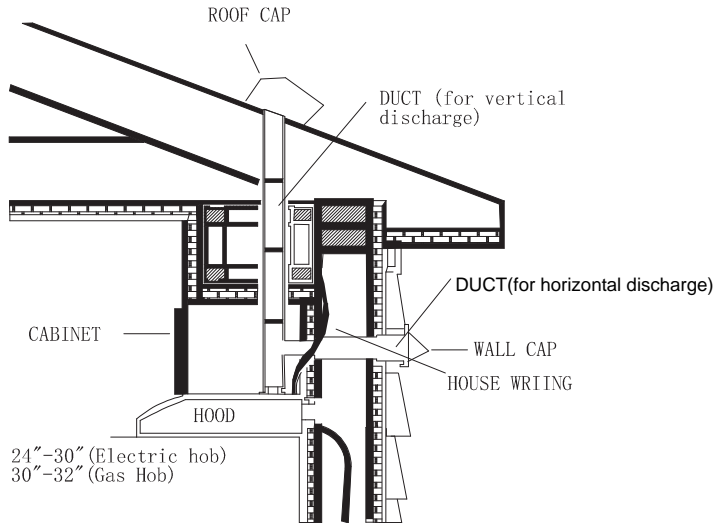
**Caution:To Rudeuce Risk of Fire And Electric Shock, Install This rangehood only with integral Blowers by qualified person or agency.**

### **WARNING- TO REDUCE THE RISK OF FIRE, ELECTRIC SHOCK,OR INJURY TO PERSONS, OBSERVE THE FOLLOWING:**

- a) Installation work and electrical wiring must be done by qualified person(s) in according with all applicable codes and standards, including fire-rated construction.
- b) Sufficient air is needed for proper combustion and exhausting of gases through the flue (chimney) of fuel burning equipment to prevent back drafting .Follow the heating equipment manufacturer's guideline and safety standards such as those published by the National Fire Protection Association (NFPA),and the local code authorities.
- c) When cutting or drilling into the wall or ceiling, do not damage electrical wiring and other hidden utilities.
- d) Ducted fans must always be vented to the outdoor.

## DESCRIPTION/CONNECTION

This appliance must install in ducting version



- 1 . The hoods feature 1(8" top round) is opening .Run ducwork between the hood location and roof cap . For the results, use a minimum unumber of transitions and elbows.
- 2 . Use proper diagram below, for replacement of ductwork and electricalcutout in cabinet or wall.

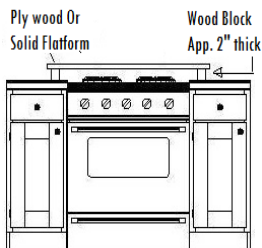
**Warning: to avoid the risk of fire, use only the metal ductwork .**

## INSTALLATION

### **STEP 1: PROTECT THE COOK TOP**

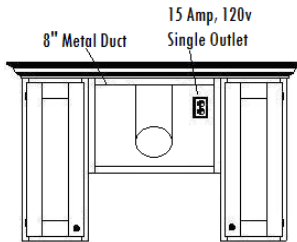
Put a thick, protective covering over counter top, cook top or range to protect from damage or dirt.

### **STEP 2: CREATE WORK STATION (OPTIONAL)**



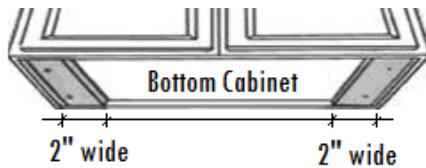
Have 2 pieces of wood about 2" x 4" x 20" on both sides of stove & a plywood on top of them to protect cook top or stove from damage or dirt. This plywood will also create a comfortable work station for easy to installing.

### **STEP 3: PREPARE DUCTWORK & SINGLE OUTLET**



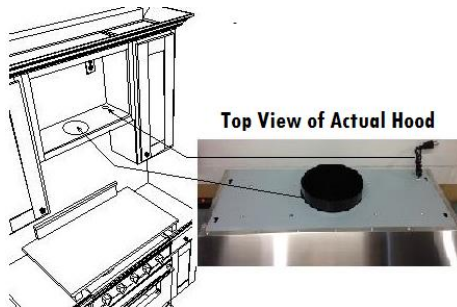
- Make sure you have a 15amp, 120V, 60Hz, single outlet on the left or right of the duct pipe (usually is on  $\frac{1}{4}$  of cabinet width).
- Make diameter duct, and roof or wall cap, depending on where you will be venting your hood)

### **STEP 4: ATTACH 2-INCH WIDE WOOD FILLER STRIPS**



- For installing under the cabinet with recessed bottom, attach 2-

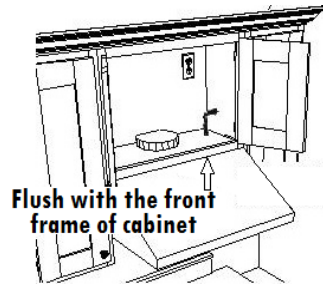
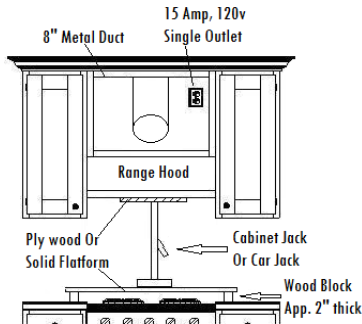
### **STEP 5: CREATE ACCESS**



- Create or cut access opening for electrical wire and hood exhaust under the cabinet



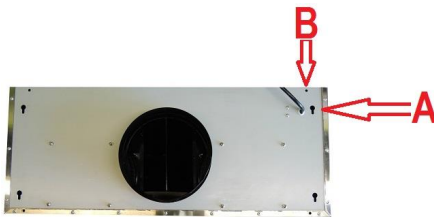
## **STEP 6: ATTACH THE HOOD**



Lift the hood up and have it placed below the cabinet. Make sure to center the hood beneath the cabinet and flush with the front of the cabinet.

**TIP (optional):** since the hood is heavy, a cabinet or a car jack is highly recommended.

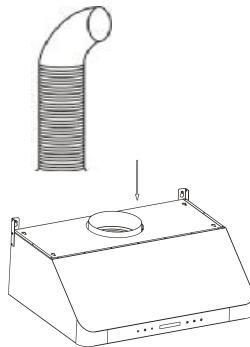
## **STEP 7A: SECURE THE HOOD TO BOTTOM CABINET**



From inside of the hood, use “hex bit extension” place 1 ¼” provided screw into each key hole (A) OR predrilled-holes (B) and secure to cabinet bottom. There are 8 holes (4 keyholes & 4 predrilled-holes) available. You can use either key or predrilled-hole as long as a minimum of 1 screw at each corner of hood body.

## **STEP 8 : CONNECT ALUMINUM FLEX DUCT AND DUCTWORK**

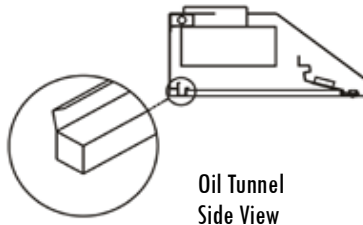
8' aluminum flex duct



- 8' aluminum flex duct can the hood directly
- Connect the aluminum flex duct to ductwork, wrap with aluminum tape to make all joints secure and tight .

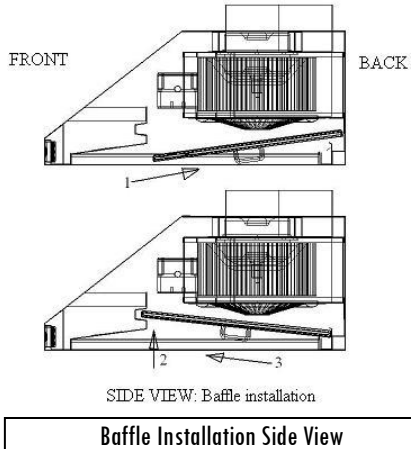
**Note :** The quality of the duct should meet the local law and fire prevention standards

**STEP 9: INSTALL OIL TUNNEL OR OIL CONTAINER (NOT AVAILABLE FOR ALL MODELS)**



- Drop oil tunnel into recess support near rear of hood. Refer to the left picture

**Step 10: Install baffle filters**



- Install baffle filters; refer to picture at left for the following three steps:
  - 1.Angle baffle filter toward back of hood.
  - 2.Lift a baffle filter up above horizontal level.
  - 3.Slide forward into slot behind the front of hood.
  - 4.Slide the installed baffle filter to either left or right until it stops.
  - 5.Repeat step 1 to 4 to install the next ones, make sure you slide to opposite direction from the previous installed filter.
- To remove the baffle, please reverse the process.

NOTE: The middle filter has to be installed last where it should be taken out first when you want to remove other filters.

## Operation

---



1. Push stop button, and the motor will stop.
2. Push the Low button, the buzzer will buzz once and the motor will run at low speed.
3. Push the Mid button, the buzzer will buzz once and the motor will run at mid speed.
4. Push the High button, the buzzer will buzz once and the motor will run at high speed.
5. Push the light button and two lights will on. Push it again and the light will turn off.

### **GROUNDING INSTRUCTIONS**

This appliance must be grounded. In the event of an electrical short circuit, grounding is equipped with a cord having a grounding wire with a grounding plug. The plug must be plugged into an outlet that is properly installed and grounded.

**WARNING-** Improper grounding can result in a risk of electric shock.

Consult a qualified electrician if the grounding instructions are not completely understood, or if doubt exists as to whether the appliance is properly grounded.

Do not use an extension cord. If the power supply cord is too short, have a qualified electrician install an outlet near the appliance.

## **MAINTENANCE&CLEAN**

**Caution: Unplug or disconnect the appliance from the power supply before servicing.**

### **GREASE FILTER**

\* The grease filters should be cleaned frequently (every two months of operation, or more frequently for heavy use). Use a warm detergent solution.

\* Grease filters are washable.

Remove the grease filters from the hood. Wash the filters, taking care not to bend them. Allow them to be dry before refitting.

When refitting the filters, make sure that the handle is visible from the outside.

reinstall the grease filters to the hood.

### **HOOD CLEANING**

Stainless steel is one of the easiest materials to keep clean. Occasional care will help preserve its fine appearance.

Cleaning tips:

\* Hot water with soap or detergent is all that is usually needed.

\* Follow all cleaning by rinsing with clear water. Wipe dry with a clean, soft cloth to avoid water marks.

\* For discolorations or deposits that persist, use a non-scratching household cleanser or stainless steel polishing powder with a little water and a soft cloth.

\* For stubborn cases use a plastic scouring pad or soft bristle brush together with cleanser and water. Rub lightly in direction of polishing lines or “grain” of the stainless finish. Avoid using too much pressure that may mar the surface.

\* Do not allow deposits to remain for long periods of time.

\* Do not use ordinary steel wool or steel brushes. Small bits of steel may adhere to the surface causing rust.

\* Do not allow salt solutions, disinfectants, bleaches, or cleaning compounds to remain in contact with stainless steel for extended periods. Many of these compounds contain chemicals that may be harmful. Rinse with water after exposure and wipe dry with a clean cloth.

\* Painted surfaces should be cleaned with warm water and mild detergent only.

# EMPAVA APPLIANCES INC.

15253 DON JULIAN RD CITY OF INDUSTRY, CA 91745

TEL:888-682-8882

[WWW.EMPAVA.COM](http://WWW.EMPAVA.COM)