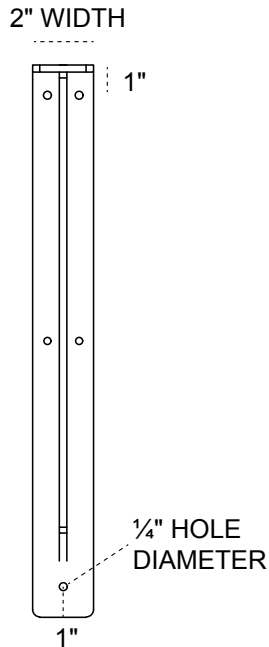
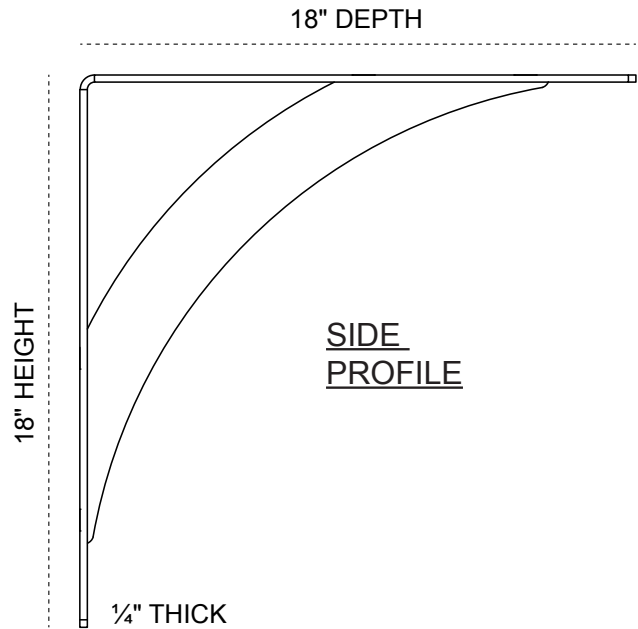


# 2-INCH W X 18-INCH D X 18-INCH H LEGACY BRACKET

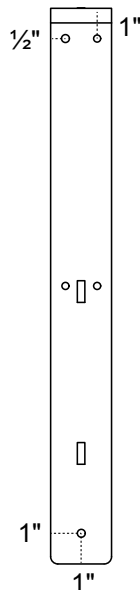
FRONT  
PROFILE



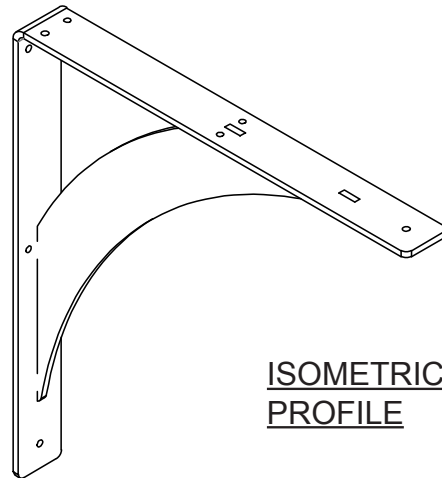
SIDE  
PROFILE



BACK



ISOMETRIC  
PROFILE



**HEAVY-DUTY 1/4" THICK**

**AVAILABLE IN:**  
STAINLESS STEEL  
ZINC PLATED STEEL  
POWDER COATED BLACK

**BKTM02X18X18LESS**  
**BKTM02X18X18LECRS**  
**BKTM02X18X18LEPBL**

P:866.607.0453 | F: 866.591.3143  
2300 W. Main St. | Clarksville, TX 75426  
sales@ekenamillwork.com | www.ekenamillwork.com



**EKENA**  
MILLWORK