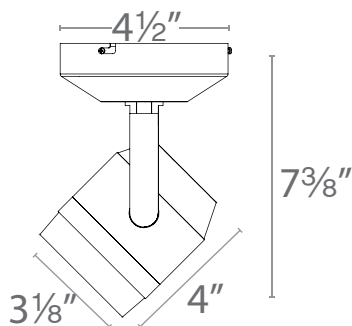


PALOMA - model: MO-LED522

Monopoint Luminaire

WAC LIGHTING

Responsible Lighting®



Fixture Type:

Catalog Number:

Project: _____

Location: _____

PRODUCT DESCRIPTION

Museum-quality LED luminaire with high performance optics

FEATURES

- Accommodates 1 filter lens or 1 accessory
- 365° horizontal rotation and 180° vertical aiming
- 50,000 hour rated life
- 5 year WAC Lighting product warranty

SPECIFICATIONS

Construction: Die-cast aluminum with cap ring.
Clear glass lens included.

Aiming: 365° horizontal rotation and 180° vertical aiming.
Spring lock to secure the aiming adjustment

Input: 120V-277V AC 50/60HZ

Dimming: Electronic low voltage (ELV) dimmer 100%-5% (120V only)

Finish: Powder coated

Standards: UL & cUL listed

ORDER NUMBER

| Model | Beam | Color Temp | CRI | Lumens | CBCP | Finish | |
|-----------|-------|------------|-------|--------|------|--------|----------|
| MO-LED522 | S 19° | 827 | 2700K | 85 | 1045 | 4735 | |
| | | 927 | 2700K | 90 | 1005 | 4900 | |
| | | 830 | 3000K | 85 | 1185 | 5290 | BK Black |
| | | 930 | 3000K | 90 | 1080 | 5200 | WT White |
| | | 835 | 3500K | 85 | 1185 | 5450 | |
| | 840 | 4000K | 85 | 1275 | 5780 | | |
| | N 24° | 827 | 2700K | 85 | 1090 | 4175 | |
| | | 927 | 2700K | 90 | 1030 | 3970 | |
| | | 830 | 3000K | 85 | 1210 | 4635 | BK Black |
| | | 930 | 3000K | 90 | 1150 | 4385 | WT White |
| | | 835 | 3500K | 85 | 1235 | 4920 | |
| | F 36° | 827 | 2700K | 85 | 1050 | 2465 | |
| | | 927 | 2700K | 90 | 985 | 2495 | |
| | | 830 | 3000K | 85 | 1180 | 2790 | BK Black |
| | | 930 | 3000K | 90 | 1100 | 2740 | WT White |
| 835 | | 3500K | 85 | 1180 | 2860 | | |
| 840 | 4000K | 85 | 1265 | 2985 | | | |

MO-LED522 - _____ - _____

Example: MO-LED522S-927-WT

Accommodates one lens accessory or one glare control accessory

LENS ACCESSORIES

| | |
|-----------------|-------------|
| Amber | LENS-20-AMB |
| Blue | LENS-20-BLU |
| Green | LENS-20-GRN |
| Red | LENS-20-RED |
| Yellow | LENS-20-YEL |
| Frosted | LENS-20-FR |
| Spread | LENS-20-SPR |
| Beam Elongating | LENS-20-BEL |

GLARE CONTROL ACCESSORIES

| | |
|------------------|-------------|
| Honeycomb Louver | LENS-20-HCL |
|------------------|-------------|

EXTENSIONS Sold as a complete unit

| | | | | | |
|-----|-----|----------|-------------|-----|----------|
| X6 | 6" | MOLED522 | S N F | 827 | BK WT |
| X12 | 12" | | | 927 | |
| X18 | 18" | | | 830 | |
| X24 | 24" | | | 930 | |
| X36 | 36" | | | 835 | |
| | | | | 840 | |

Example: X12-MOLED522N930WT

WAC Lighting

www.waclighting.com
Phone (800) 526.2588 • Fax (800) 526.2585

Headquarters/Eastern Distribution Center

44 Harbor Park Drive • Port Washington, NY 11050
Phone (516) 515.5000 • Fax (516) 515.5050

Western Distribution Center

1750 Archibald Avenue • Ontario, CA 91760
Phone (800) 526.2588 • Fax (800) 526.2585