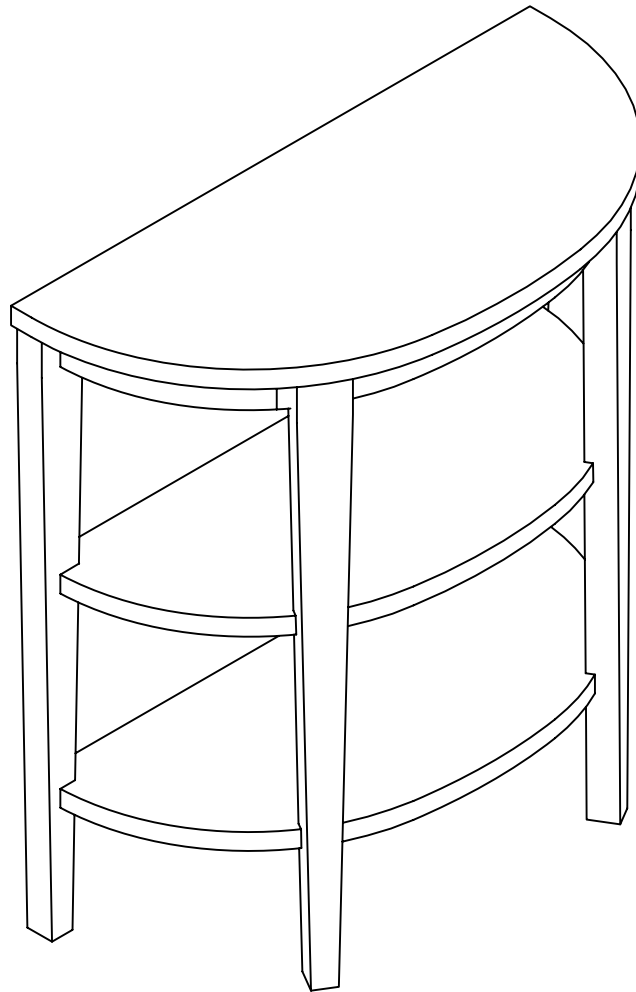


CONVENIENCE CONCEPTS

121099

Console Table



Assembly Instructions

We have designed our furniture with you, the customer in mind. Our clear, easy to follow, step by step instructions will guide you through the project from start to finish.

Feel confident that this will be a fun and rewarding project. The final product will be a quality piece of furniture that will go together smoothly and give years of enjoyment.



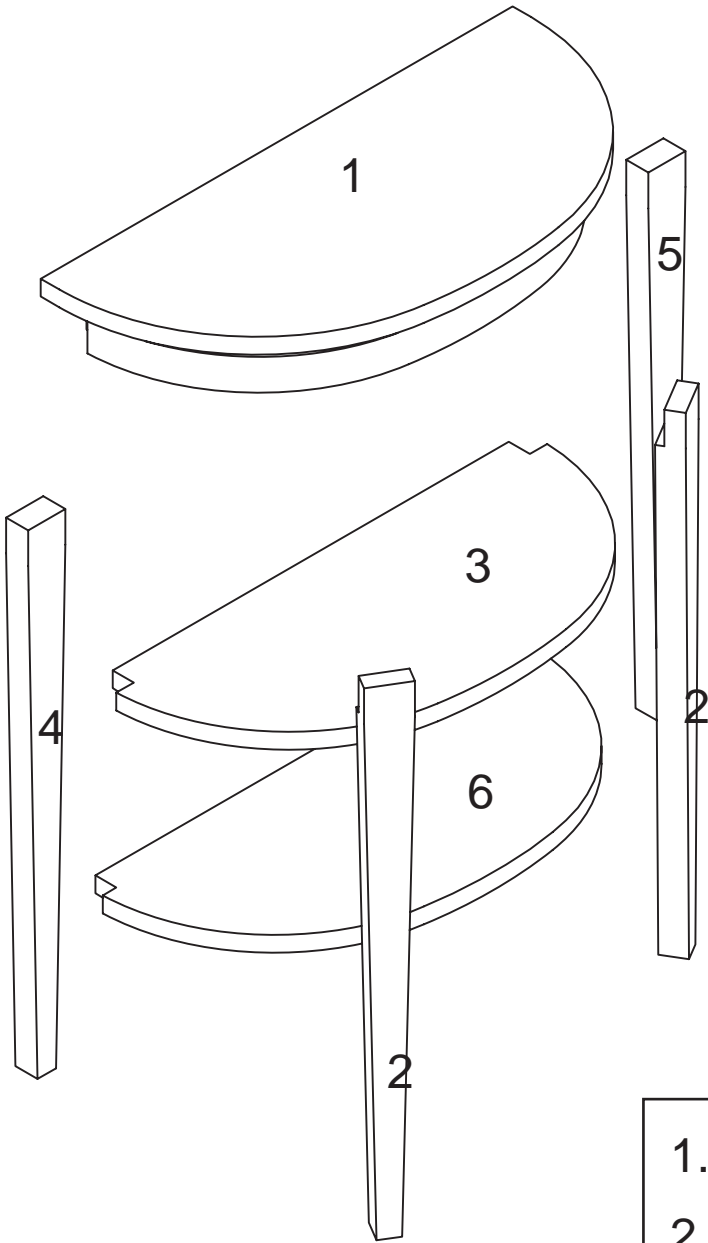
Please do not return to the store

- . Broken or Missing Hardware?
- . Need help with Assembly?

If you have any questions just call 1-800-468-6447 or email us at parts@convenience-concepts.com

PARTS IDENTIFICATION

ITEM#:121099

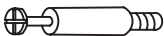


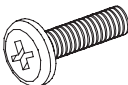







- | | |
|----------------|--------|
| 1.Top Panel | (1pc) |
| 2.Front Leg | (2pcs) |
| 3.Middle Panel | (1pc) |
| 4.Left Leg | (1pc) |
| 5.Right Leg | (1pc) |
| 6.Bottom Panel | (1pc) |

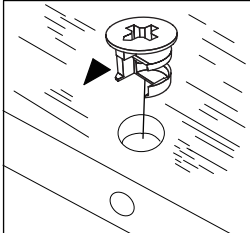
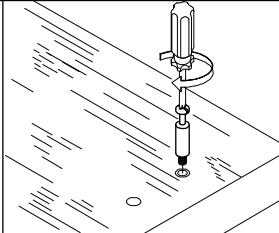
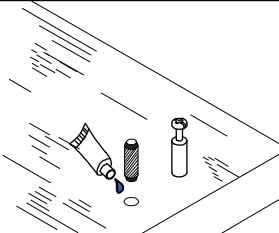
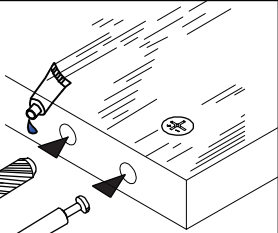
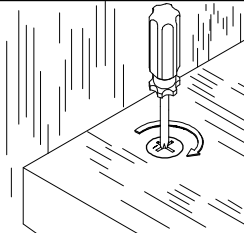
Please count and verify all parts before assembly

HARDWARE IDENTIFICATION

ITEM#:121099

A		Cambolt	L29	8pcs
B		Camlock	ø15	8pcs
C		Dowel	ø8×25	2pcs
D		Bolt	M6×25	4pcs
E		Threaded Rod	M8×65	2pcs
F		Jam Washer & Nut	M8	2sets
G		Wrench	M13	1pc
H		Sticker	ø45	2pcs
I		Glue	Glue: For securing please apply to wood dowel first before inserting into panel	1pc

Assembling the unit with camlocks and wood dowels.

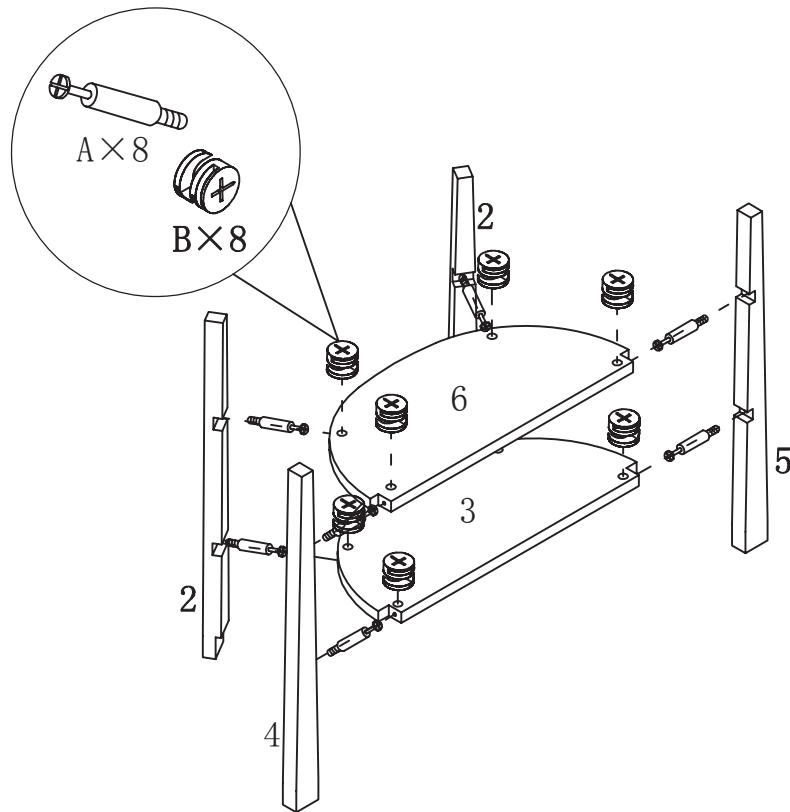
				
Insert camlock, camlock must face bolt hole	Gently screw cam dowel into the threaded anchor	Lightly glue one end of wood dowel and tap into hole.	Lightly glue dowel and connect to second panel by inserting dowels into holes	Gently screw the cam clockwise into locked position. Do not overtighten.

Step1

1.Attach cambolts (A) to legs.

2.Insert camlocks (B) into middle panel (3) & bottom panel (6).

3.Attach legs to panels and gently tighten camlocks as shown.



NOTE:

*UNIT IS BEING ASSEMBLED UPSIDE-DOWN.

Step2

Place top panel (1) on soft surface.

1.Screw threaded rod (E) into top panel.

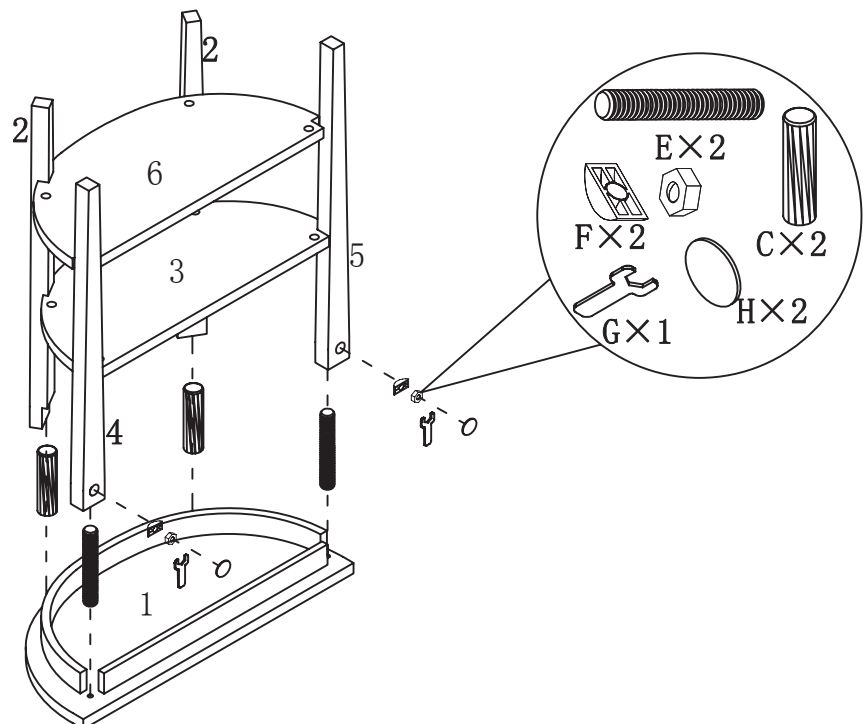
2.Insert dowels (C) into top panel.

3.Insert jam washer & nut (F) carefully into slot of legs (4)&(5) .

4.Carefully place assembly onto top panel (1) and check position of jam nut.

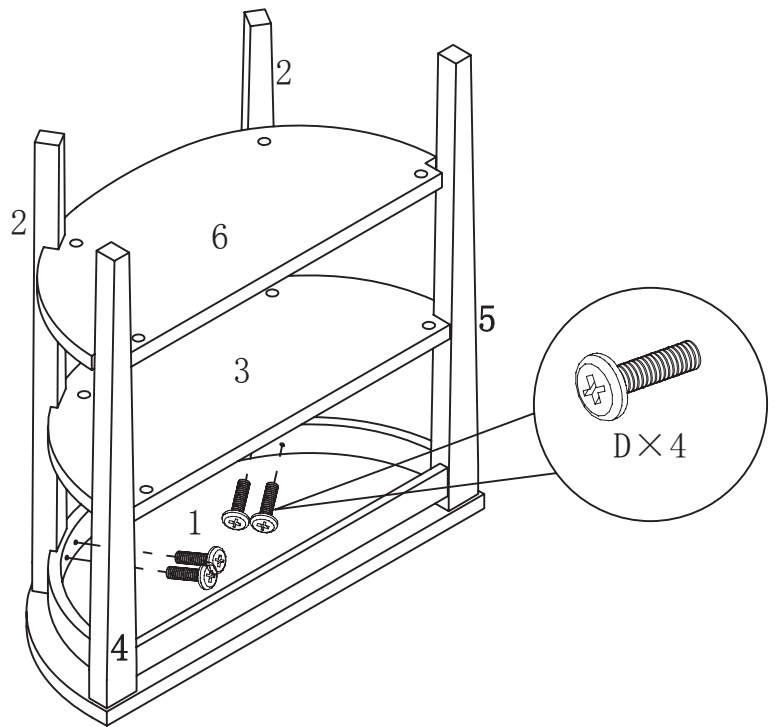
5.Using wrench (G),tighten nut (F) onto threaded rod (E).

6.Place stickers (H) over nut holes.



Step3

Secure legs (2) to assembly with bolts (D).



Step4

Turn right side up and enjoy!

