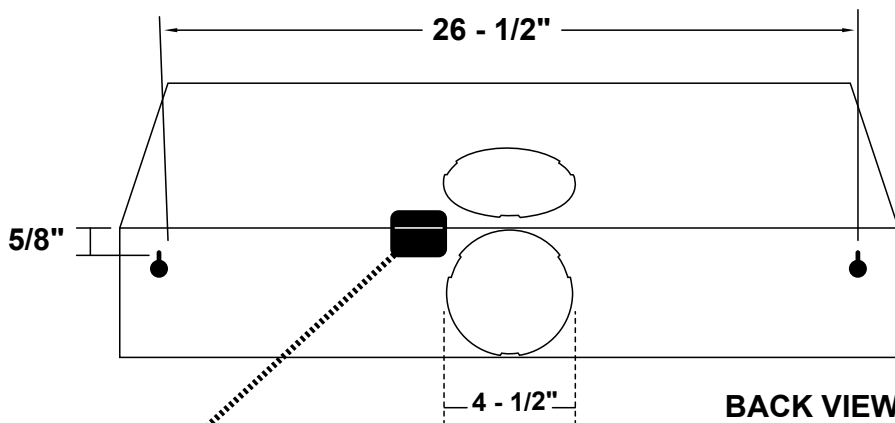
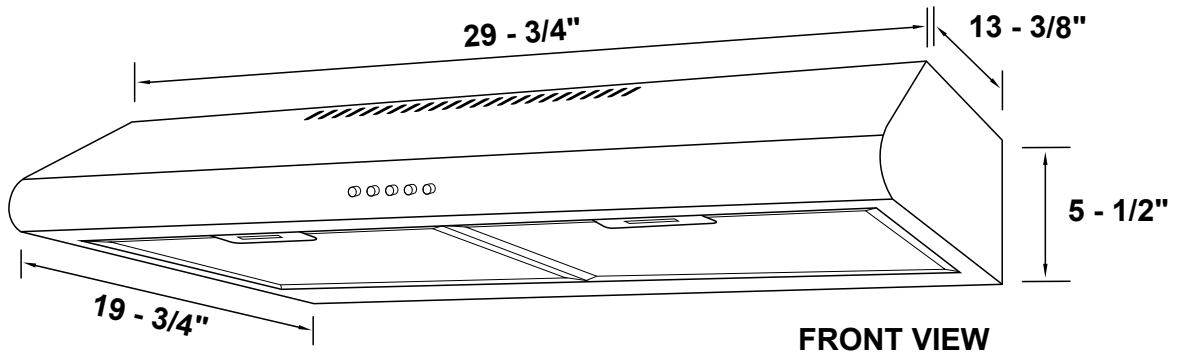




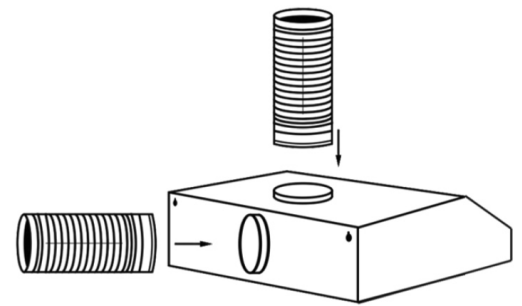
# COS-5MU30

Assembled Product Dimensions

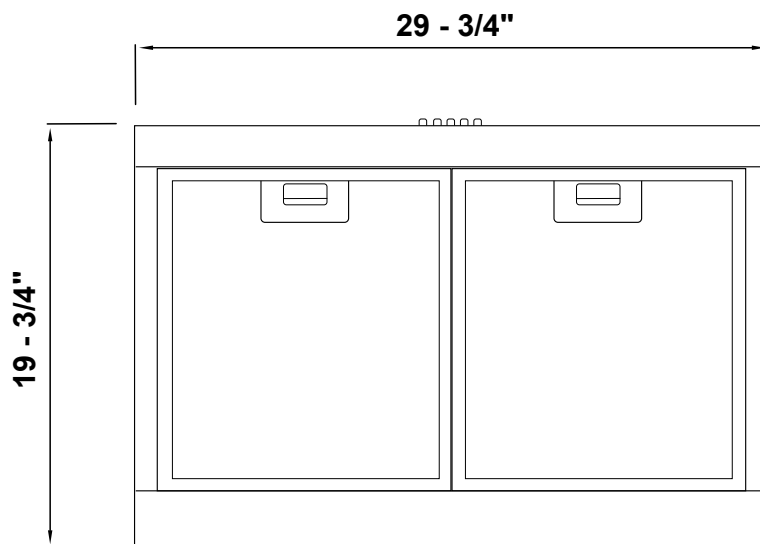


Location of 3-Prong Plug

**NOTE:** Ventilation outlet is 4 - 1/2" in diameter. A 5" duct is recommended for installation.



**TOP or REAR Vent Options**



**VIEW FROM UNDER**