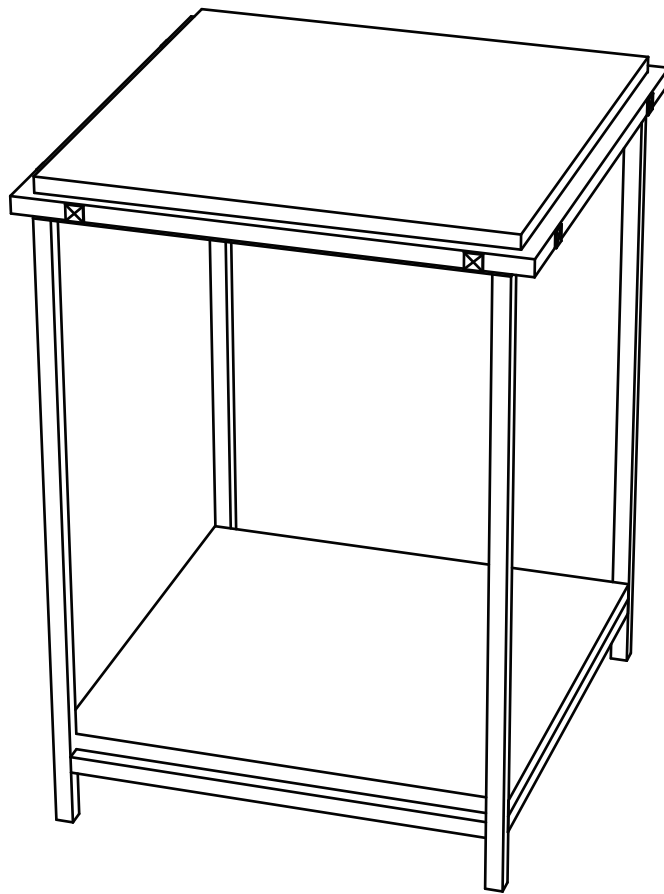


CONVENIENCE CONCEPTS

NORDIC SQUARE END TABLE

227055



ASSEMBLY INSTRUCTIONS

We have designed our furniture with you , the customer in mind . Our clear , easy to follow , step by step instructions will guide you through the project from start to finish . Feel confident that this will be a fun and rewarding project . The final product will be a quality piece of furniture that will go together smoothly and give years of enjoyment .



Please do not return to the store

Broken or missing parts?

Need help with assembly?

If you have any questions just call 1-800-468-6447 or email us at parts@convenience-concepts.com

Hardware List

A



Bolt (8pcs)

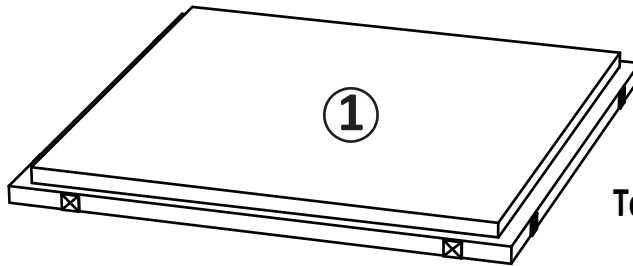
B



Allen wrench (1pc)

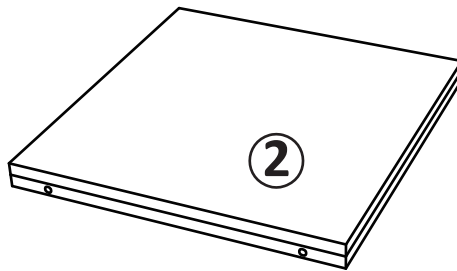
Panel List

1



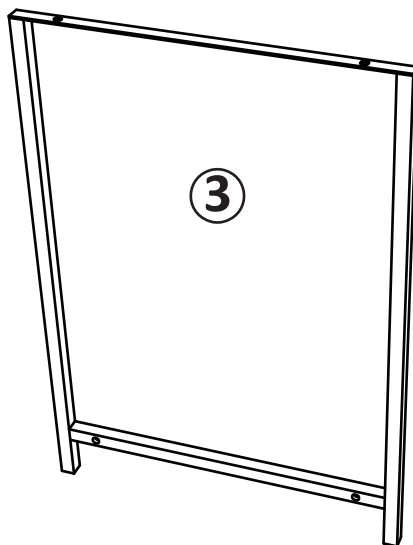
Top panel (1pc)

2



Bottom panel (1pc)

3



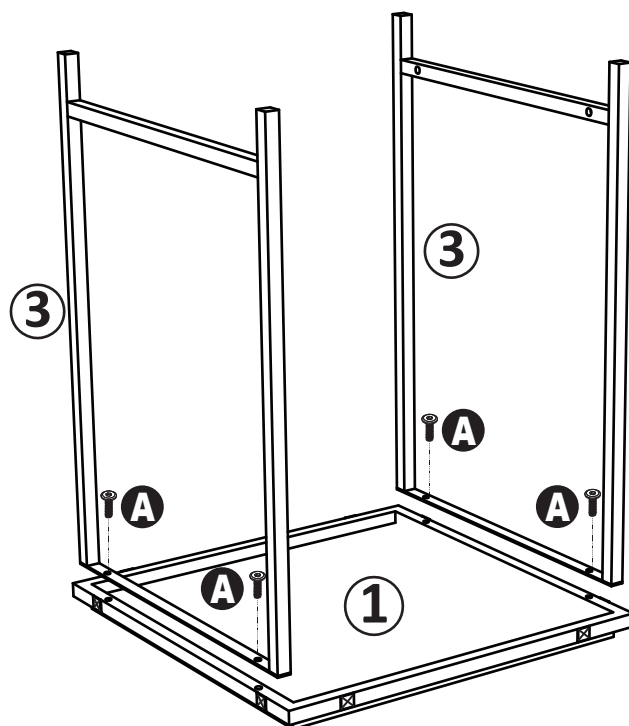
Side frame (2pcs)

***Please count and verify all parts before assembly . ***

Step 1

*Assemble unit on carpet or another soft surface.

1. Connect side frames (3) to top panel (1) as shown using bolts (A) and allen wrench (B).



Step 2

1. Connect bottom panel (2) to assembly as shown using bolts (A) and allen wrench (B).
2. Turn unit over and enjoy.

