



René

**R1-1026L**

Double Rectangular Stainless Steel Sink

16G UPC: 841412129268

## FEATURES

- 16 Gauge Steel
- Undermount Installation
- Brushed Satin Finish
- Cold Rolled Stainless Steel
- 33" Minimum Cabinet Size
- Fully Insulated
- Limited Lifetime Warranty
- Offset Drain 3 1/2"
- Sound Dampening Pads
- Installation Hardware included
- Cutout Template Included

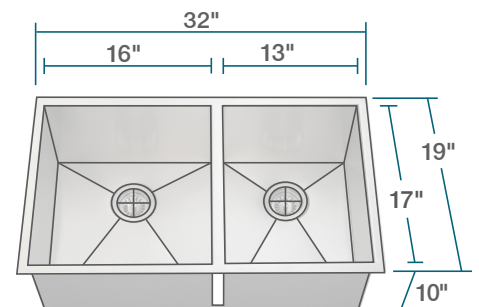
## ACCESSORIES



## STAINLESS STEEL

Stainless Steel is the most popular choice for today's kitchens due to its clean look and durability. The beautiful brushed satin finish helps to hide small scratches that may occur over the lifetime of the sink. Our Stainless Steel sinks are made from high quality, 14, 16, 18, or 20 gauge, 304 steel. Each sink is fully insulated and has a sound dampening pad.

## DIMENSIONS



www.renesinks.com  
872.241.0016  
sales@renesinks.com