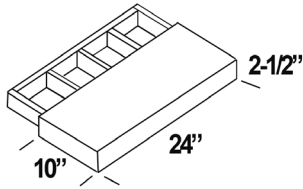
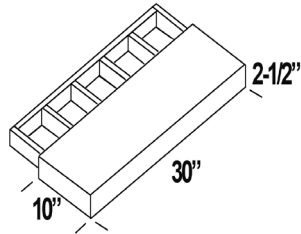


Plain Floating Shelves

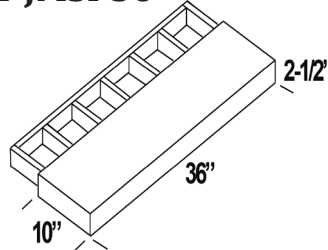
SY-JMSP24



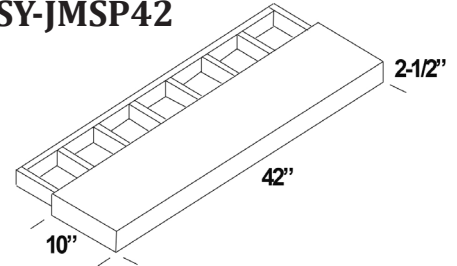
SY-JMSP30



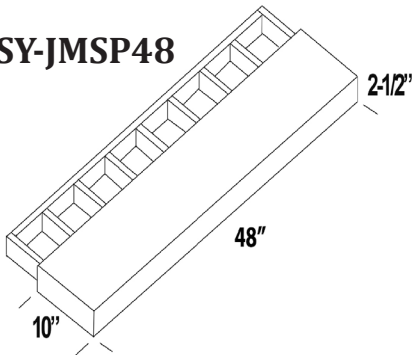
SY-JMSP36



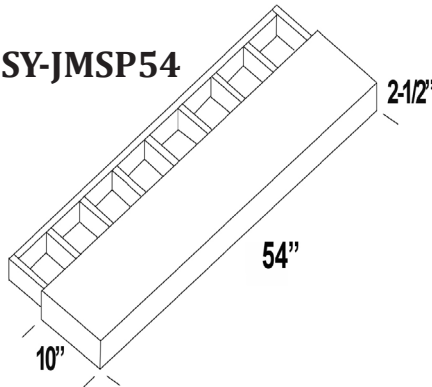
SY-JMSP42



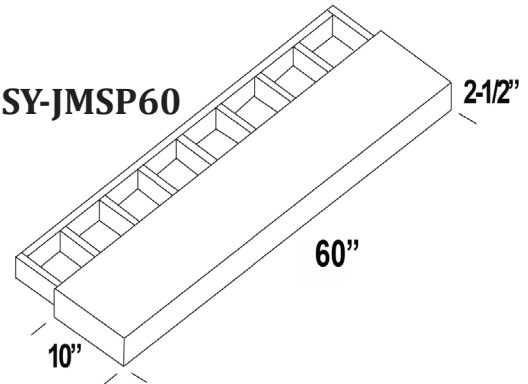
SY-JMSP48



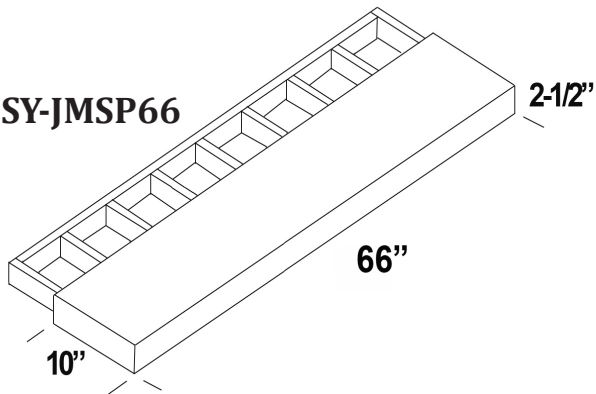
SY-JMSP54



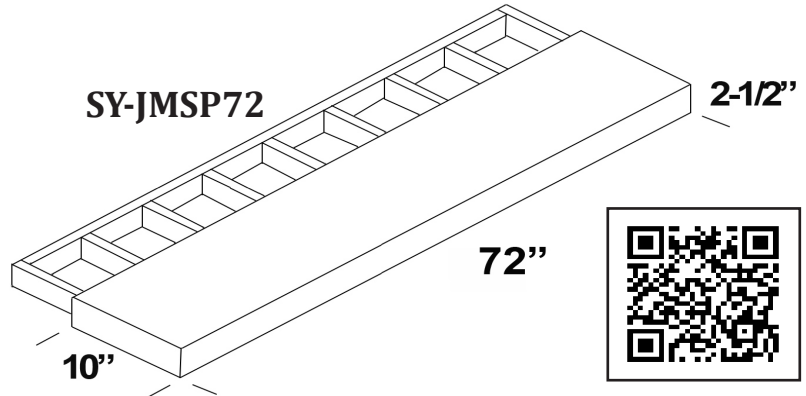
SY-JMSP60



SY-JMSP66



SY-JMSP72



Castlewood Plain Floating Shelves are available in *Standard* and *Heavy Duty* configurations. The *Standard* model comes with a hardwood mounting frame. The *Heavy Duty* model comes with a metal mounting system. Both configurations are available in 10" and 12" depths.

- Hardwood Plywood and Solid Lumber construction
- Available in Alder, Cherry, Hickory, Maple and Red Oak
- A Paint Grade version made from Poplar and MDF is available
- Solid Hardwood mounting frame provides 15 lbs. per square foot weight capacity (*standard*)
- *Optional Metal Mounting System* provides 300 lbs. capacity per shelf (add "X" to part # ie: SY-JMSPX)
- *Optional 12" Depth* available standard (add "D" to part # ie: SY-JMSPD or SY-JMSPXD)
- *Optional integrated LED light fixtures* available with touch switch and color temp control
- All units must be installed into studs using quality fasteners and in accordance with installation instructions.
- Castlewood assumes no liability for improperly installed floating shelves.