

### Features

- 36-inch minimum base cabinet width.
- Large/medium bowls.
- 9" depth provides generous workspace.
- Short apron allows sink to be used in most standard cabinetry or retrofitted to existing standard cabinetry.
- Self-Trimming apron overlaps the cabinet face for easy installation.
- No faucet holes.
- Smart Divide® features a lower bowl divider that increases workspace and versatility.
- Rear drain increases workspace in the sink and storage space underneath.
- Includes installation hardware and a bottom sink rack.
- SilentShield® sound-absorption technology offers quieter performance.

### Material

- Handcrafted from 18-gauge stainless steel.
- Premium 18-gauge stainless steel.

### Installation

- Under-mount farmhouse.

### Recommended Products/Accessories

K-6476 Sink Rack  
K-6477 Sink Rack  
K-8801 Sink Strainer  
K-8799 Sink Strainer  
K-23726 Drain treatment  
K-23729 Stainless steel cleaner

### Optional Products/Accessories

K-6434 Saddle Utility Rack  
K-11352 Disposal Flange with Stopper

### Included Components

Product consists of:

91915 Hardware Kit  
K-6476 Sink Rack

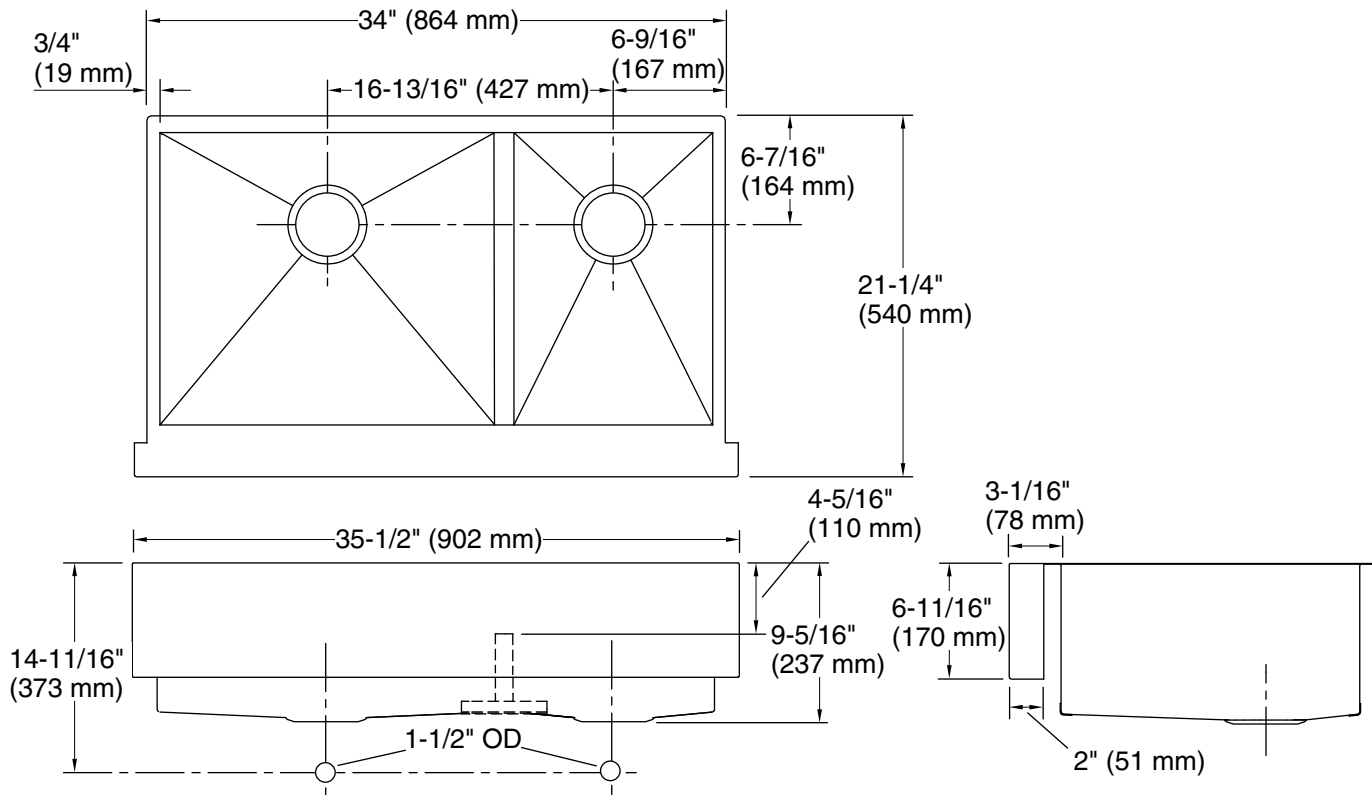


### Codes/Standards

ASME A112.19.3/CSA B45.4

### Lifetime Limited Warranty for KOHLER® Stainless Steel Sinks

See website for detailed warranty information.



### Technical Information

All product dimensions are nominal.

|                          |   |
|--------------------------|---|
| Bowl configuration:      | Off-set Large/small   |
| Installation:            | Under-mount   |
| Min. base cabinet width: | 36" (914 mm)  |
| Bowl area (Left):        | Length: 19-11/16" (500 mm)<br>Width: 17-3/16" (437 mm)<br>Bowl depth: 9" (229 mm) |
| Bowl area (Right):       | Length: 11-11/16" (297 mm)<br>Width: 17-3/16" (437 mm)<br>Bowl depth: 9" (229 mm) |
| Drain hole:              | 3-11/16" (94 mm)  |
| Template:                | 1166719-7, required, included   |

### Notes

Install this product according to the installation instructions.

The 3/4" (19 mm) side rim flanges are supported without using the clip attachment. See the installation guide for further instructions.