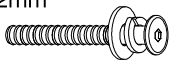

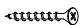


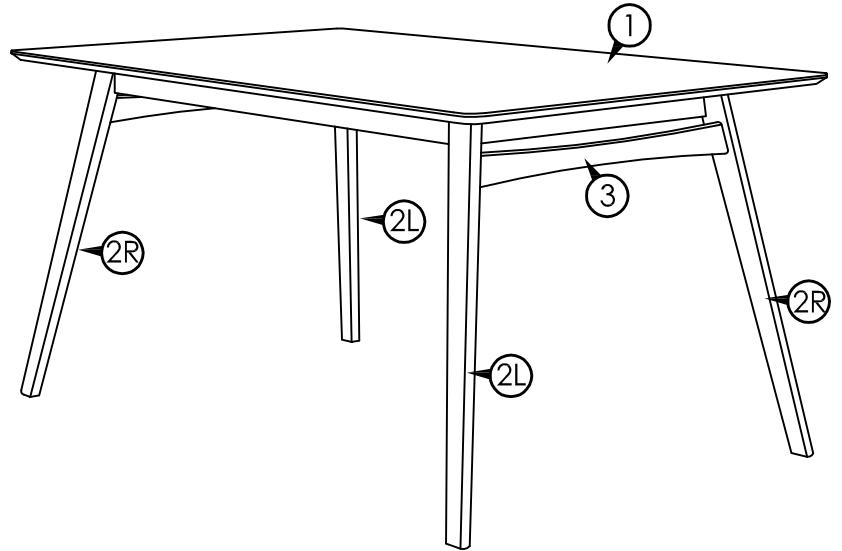


Emerald Home Furnishings

ITEM NO : D550-16 RECTANGULAR DINING
TABLE 60X28X30"

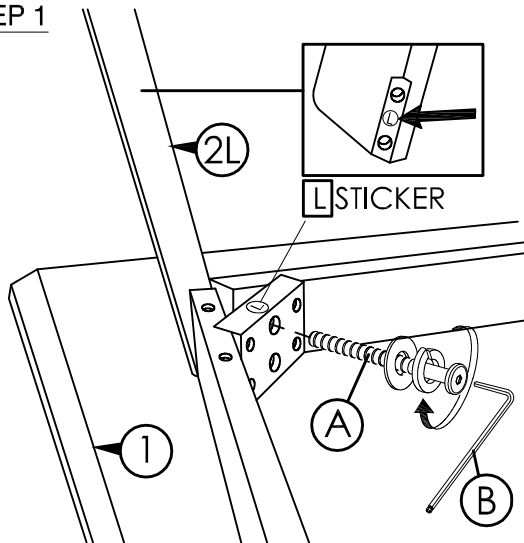
| HARDWARE LIST | | |
|---------------|----------------------------------------------------------------------------------------------------------------------------------|------|
| A | JCBB M8 x 70mm + S/W 5/16 + F/W 5/16 x 22mm  | 8PCS |
| B | ALLEN KEY M5  | 1PC |
| C | FH SCREW #8 X 32  | 4PCS |

| PART LIST | | |
|-----------|-----------------|------|
| 1 | TABLE TOP | 1PC |
| 2 | TABLE LEG (L/R) | 4PCS |
| 3 | CROSS BAR | 2PCS |

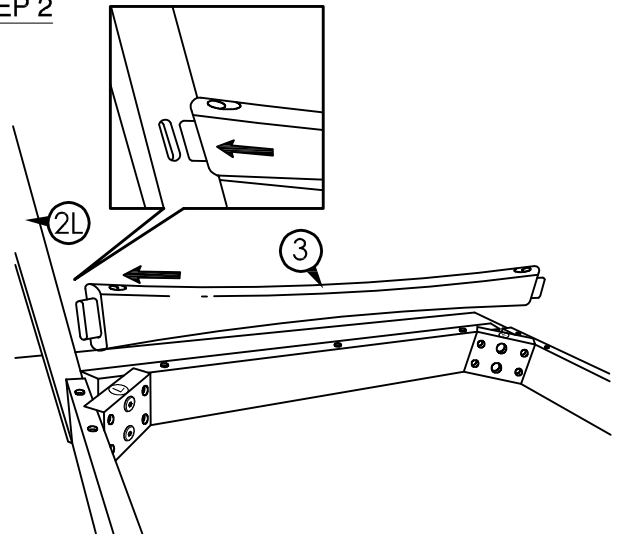


COMPLETED TABLE ASSEMBLY.

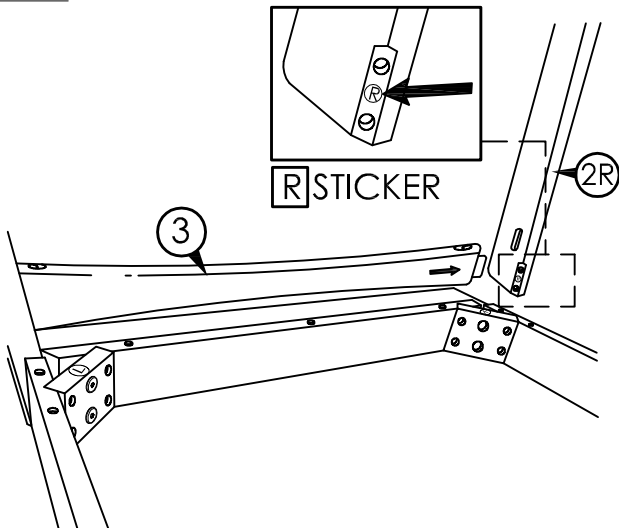
STEP 1



STEP 2



STEP 3



STEP 4

