



HOOKER
— FURNITURE —

ASSEMBLY INSTRUCTION

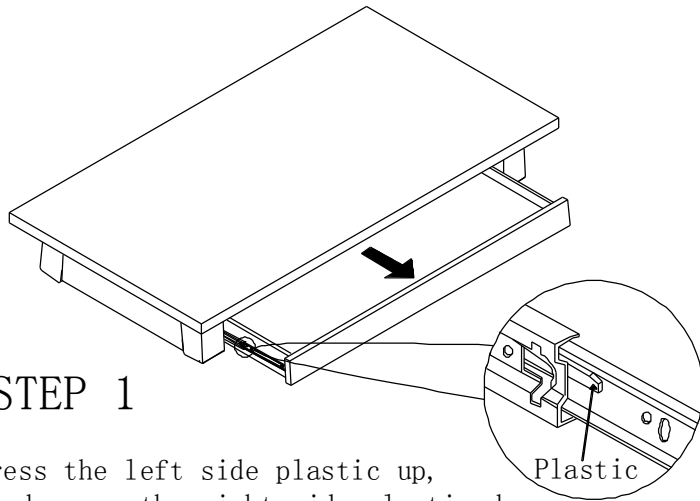
Item: 5325-10452 Writing Desk

Thank you for purchasing this quality product. Be sure to unpack carefully looking for small parts which may have come loose during shipment.

Read all instruction and study the drawing carefully before starting the assembly process:

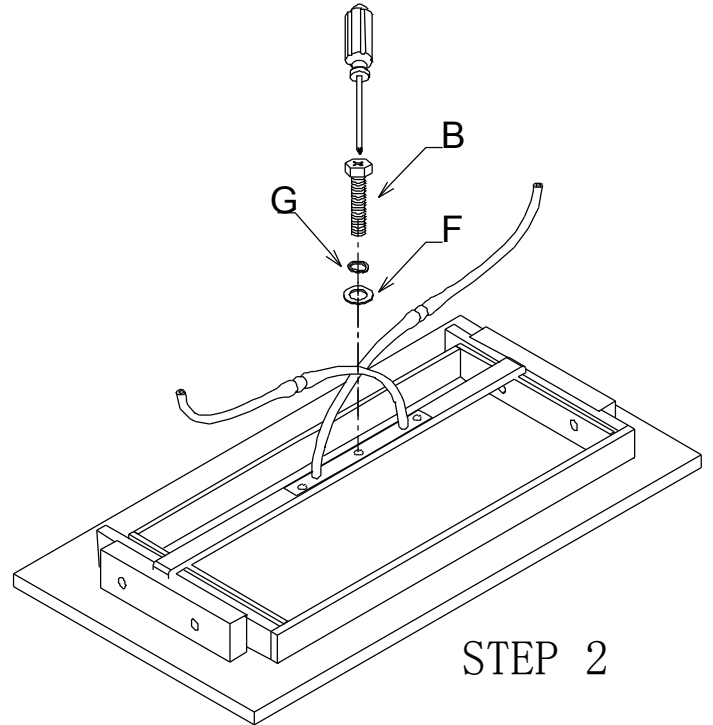
HARDWARE PACK

NO	DRAWING	DESCRIPTION	SIZE	Q'ty
A		BOLT	Φ 5/16" × 2"	4pcs
B		BOLT	Φ 1/4" × 1"	3pcs
C		BOLT	Φ 1/4" × 2"	2pcs
D		Flat Washer	Φ 5/16" * 19 * 2	4pcs
E		Lock Washer	Φ 5/16" * 12 * 3	4pcs
F		Flat Washer	Φ 1/4" * 16 * 2	5pcs
G		Lock Washer	Φ 1/4" * 12 * 3	5pcs
H		Wrench	12mm	1pc

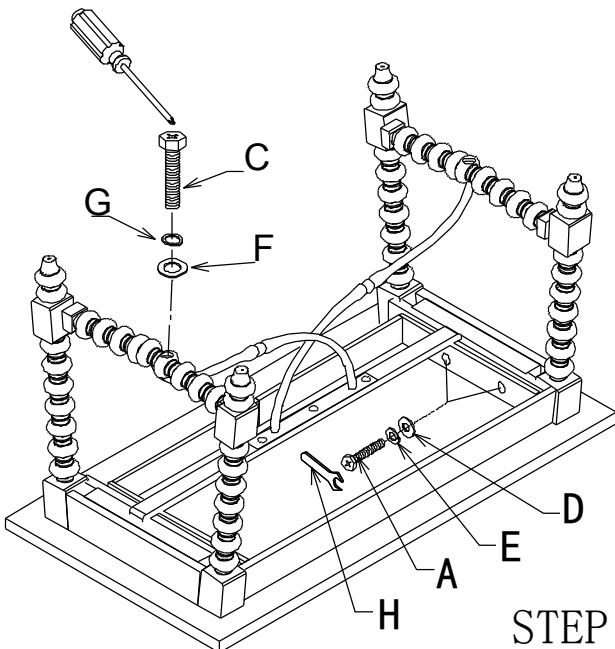


STEP 1

Press the left side plastic up, and press the right side plastic down, then pull out the drawer.

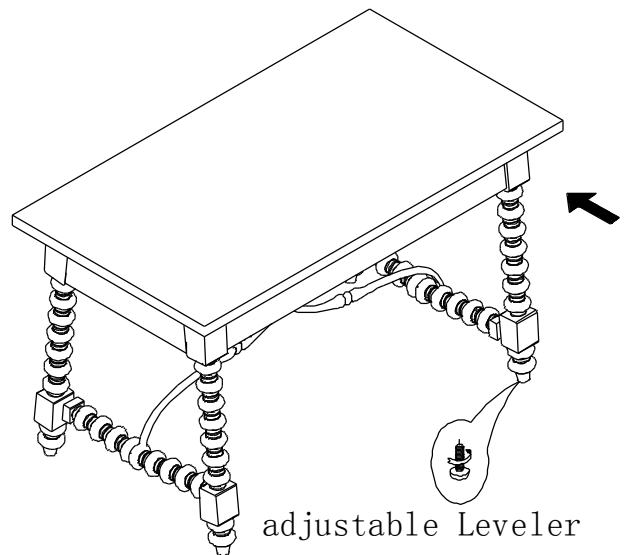


STEP 2



STEP 3

Adjust leveler if needed to level case on uneven floor.



STEP 4

adjustable Leveler