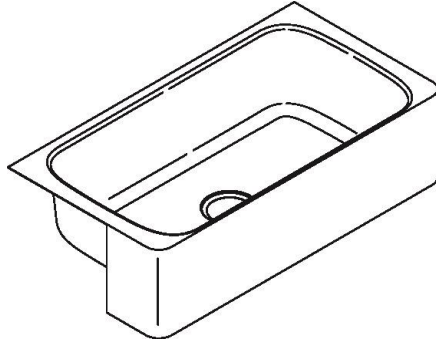




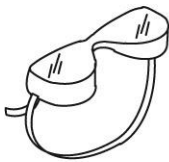
Apron Sink Installation Instructions

Please read these instructions carefully before beginning installation.
We recommend that apron sinks be installed by professional countertop installers and we are not responsible for damages to the countertop or sink during installation.



TOOLS AND MATERIALS

Safety glasses



tape measure



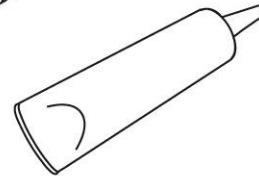
pencil



drill



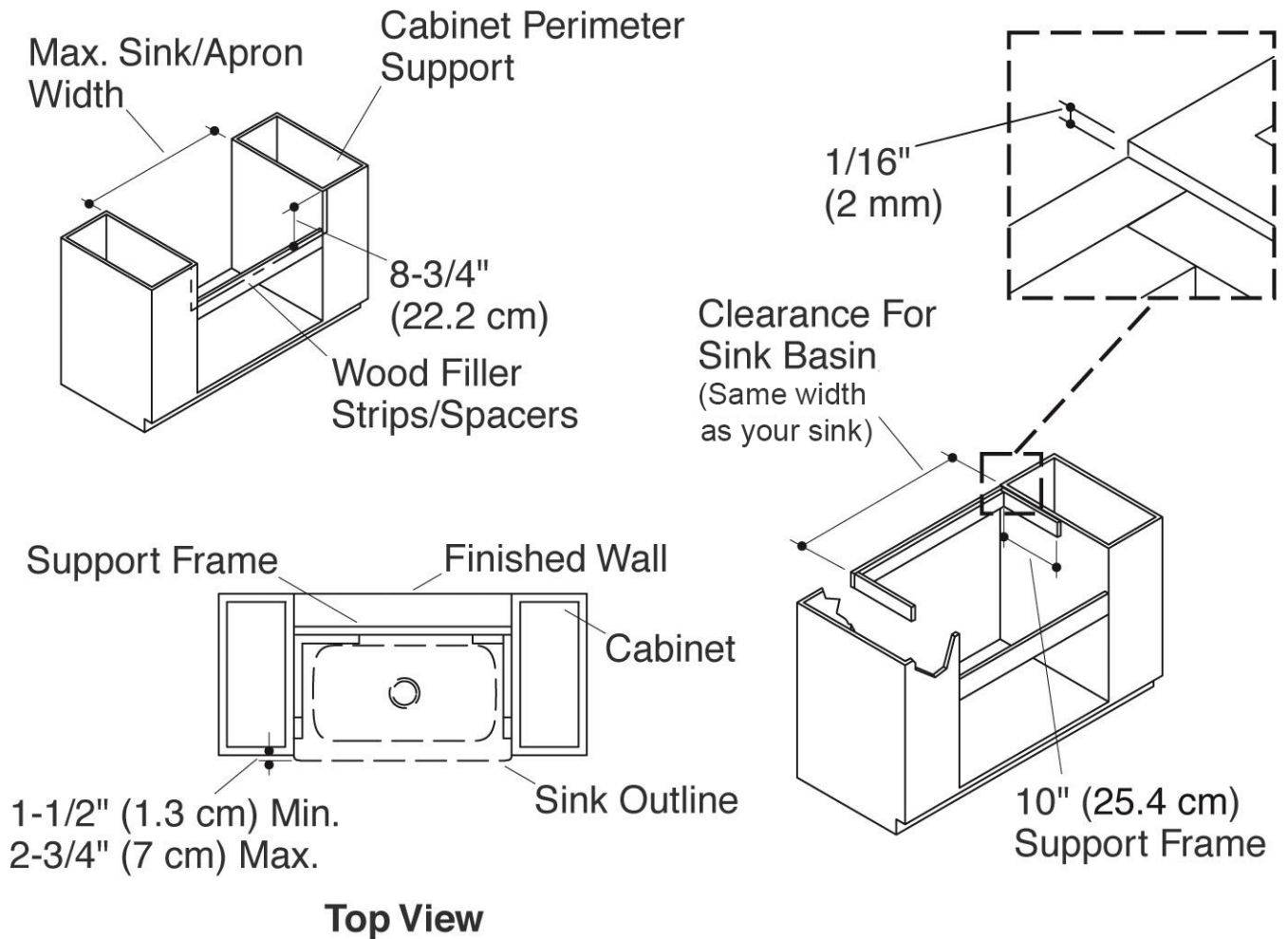
sealant



Plus: 1/2" or larger drill bit, hole saw 1-3/8", support frame members, sanding block, assorted sandpaper, orbital sander(optional).

BEFORE YOU BEGIN

1. Observe all local plumbing and building codes.
2. Inspect the drain and supply tubing. Replace if necessary.
3. Prior to installation, unpack the new sink and inspect for damage. To prevent damage, return the sink to its original packaging until installation is ready.
4. The cabinet and frame shown in these instructions are generic and may not represent actual design or structure.
5. Before proceeding, determine how far the sink will extend beyond the front of the cabinet. It should extend a minimum of 1/2" (1.3 cm) and a maximum of 2-3/4" (7 cm).
6. Shut off the hot and cold water supplies.
7. As applicable, assemble the faucet and drain to the sink before installing the sink.



PREPARATION

NOTE: You may use the provided brackets (Four) to tighten the sink flange to the countertop on the back side of the sink. Check with the countertop manufacturer for proper use of fastener. If you choose this option, you do not need to install the back support.

1. Install the water supplies and drain piping according to the roughing-in information.
2. Determine the faucet you will install. Make sure there is enough room between the backsplash or wall and back edge of the sink for your faucet.
3. If you have not already done so, determine the distance the apron will extend beyond the face of the cabinet. The apron should extend no less than 1-1/2" (1.3 cm) and no more than 2-3/4" (7 cm).

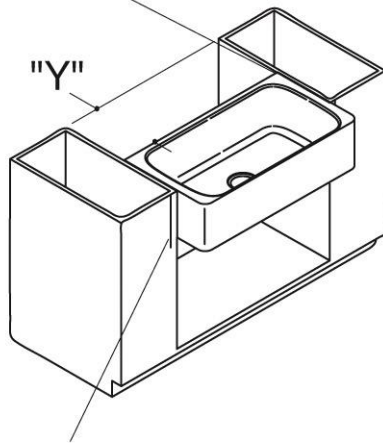
4. Construct a wood frame to fit inside the cabinet opening. The cabinet opening should be the width of your sink (30", 33", or 36" depending on your sink model.) Be sure to double-check your sink as this opening must be exactly the same measurement.

5. The side supports should be 10" (25.4 cm) long unless the back support is thicker than 1" (2.5 cm). If the back support is thicker than 1" (2.5 cm), determine the length of the side supports by measuring from the inside edge of the back support to the inside edge of the apron.

6. The back edge of the support frame should be located 17-3/8" (44.1 cm) from the front of the sink. Do not measure from the front of the cabinet.

INSTALL THE SINK

Sink Rim Flush
With Top of
Cabinet



Wood Filler Strip (Optional)

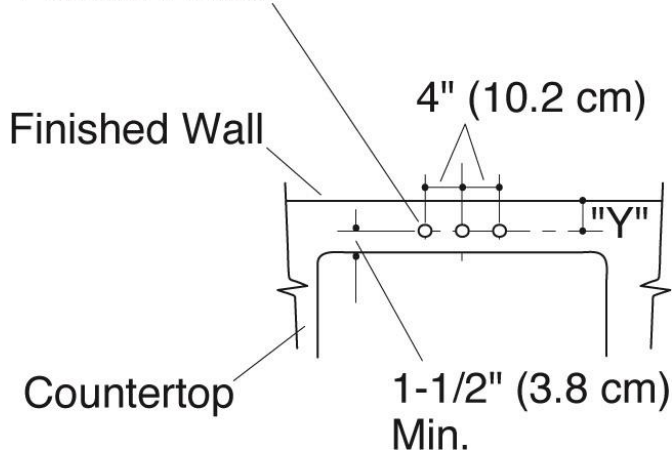
NOTE: Use shims to level the sink if needed.

1. Verify that the sink will fit in the cabinet opening. If necessary, adjust the opening by sanding the opening or adding wood filler strips.

COUNTERTOP AND FAUCET INSTALLATION

1-3/8" (3.5 cm) D.

Faucet Holes



NOTE: The dimensions of your faucet may differ from those shown. Check the roughing-in dimensions of your faucet against those given.

CAUTION: Risk of product damage. Do not cut, drill, or sand the countertop while positioned over the fixture.

2. Install the strainer or garbage disposal to the sink according to the manufacturer's instructions.
3. Apply a 1" (2.5 cm) spot of sealant at each corner of the frame where it will contact the sink. NOTE: If using shims additional sealant will be needed.
4. Carefully position the sink within the frame, making sure to center the sink in the cabinet.
5. Verify that the sink is level. The top of the sink should be flush with the top of the cabinet to allow proper countertop installation. Adjust or shim between the sink and support if needed.
6. Carefully measure the countertop to determine the exact location of the cutout.
7. Carefully mark the cutout location on the countertop.

1. Measure 1-1/2" (3.8 cm) from the back edge of the sink cutout and mark at multiple spots. Draw a straight line through the marks.
2. Determine the faucet mounting location. Mark the center of the location on the first line. This is the centerline of the faucet.
3. Mark the locations of the handles and the faucet.
4. Measure the distance "Y" and verify that there is adequate clearance between the faucet handles and the backsplash or finished wall to ensure proper faucet operation.
5. Cut out the sink opening by carefully following the pencil line.
6. Drill the faucet holes.
7. Sand the edge of the cutout to smooth the surface and remove all saw marks. For

lamine type countertops, waterproof all unprotected areas of wood.

8. Clean the top of the sink rim and the bottom of the countertop, making sure the surface is free from debris.
9. Apply a generous bead of sealant around the sink rim where the sink rim will contact the countertop.
10. Position the countertop over the sink, making sure the sealant provides a complete seal between the sink rim and the bottom of the countertop.

CARE AND CLEANING

11. Immediately wipe away any excess sealant with a damp cloth. Fill any voids between the rim and the countertop if needed.
12. Allow the sealant to cure for at least 30 minutes before proceeding.
13. Install the faucet to the sink and countertop according to the manufacturer's instructions.
14. Connect and tighten the trap to the strainer, and complete the water supply connections to the faucet according to the instructions packed with the faucet.
15. Run water into the sink and check for leaks.
16. Clean up with a non-abrasive cleaner.

- Be careful not to leave staining materials in contact with the surface for extended periods of time.
- The ideal cleaning technique is to rinse thoroughly and blot dry any water from the surface after each use.
- Use a mild detergent such as liquid dishwashing soap and warm water for cleaning. Do not use abrasive cleaners that may scratch or dull the surface.
- Carefully read the cleaner product label to ensure the cleaner is safe for use on the material.
- Always test your cleaning solution on an inconspicuous area before applying to the entire surface. Cleaners containing chloride are not recommended.
- Wipe surfaces clean and rinse completely with water immediately after applying cleaner. Rinse and dry any overspray that lands on nearby surfaces.
- Do not allow cleaners to soak on surfaces.
- Use a soft, dampened sponge or cloth. Never use an abrasive material such as a brush or scouring pad to clean surfaces.