

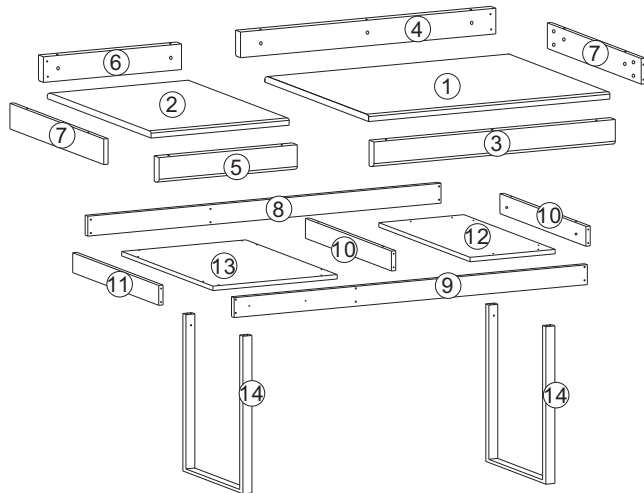
CARE AND MAINTENANCE






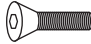
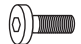



Always use felt pads under all articles to prevent discoloration or softening of the lacquer. Plastic and rubber bases on items can discolor wood. Wipe up spills immediately and avoid common hazards such as hot dishes, harsh solvents and abrasives. Cleaning should be done with a soft lint free cotton cloth dampened with water or furniture polish. On highly used surfaces we recommend applying a quality paste wax which should be used on a regular basis to provide additional protection from scratches and spills. How often you apply the wax depends on how much wear the furniture receives.

NOTICE

- * Please make sure that you have all parts indicated before you begin assembly of this item
- * This item should be assembled on a soft surface to prevent scratching the finish during assembly
- * This item may require periodic tightening

Part List and Hardware List

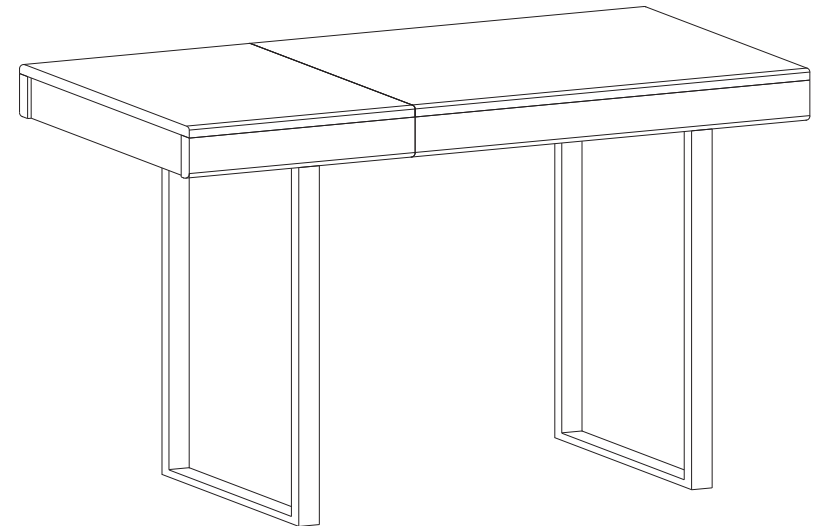


Ax26 	Bx26 	Cx14 	Dx12  4x40mm	Ex8  4x14mm
Fx8  6x30mm	Gx20  6x12mm	Hx4 	Ix2 	Jx1 



Model# FOX2200A

Product Dimensions: 43.3"W×21.6"D×29.5"H



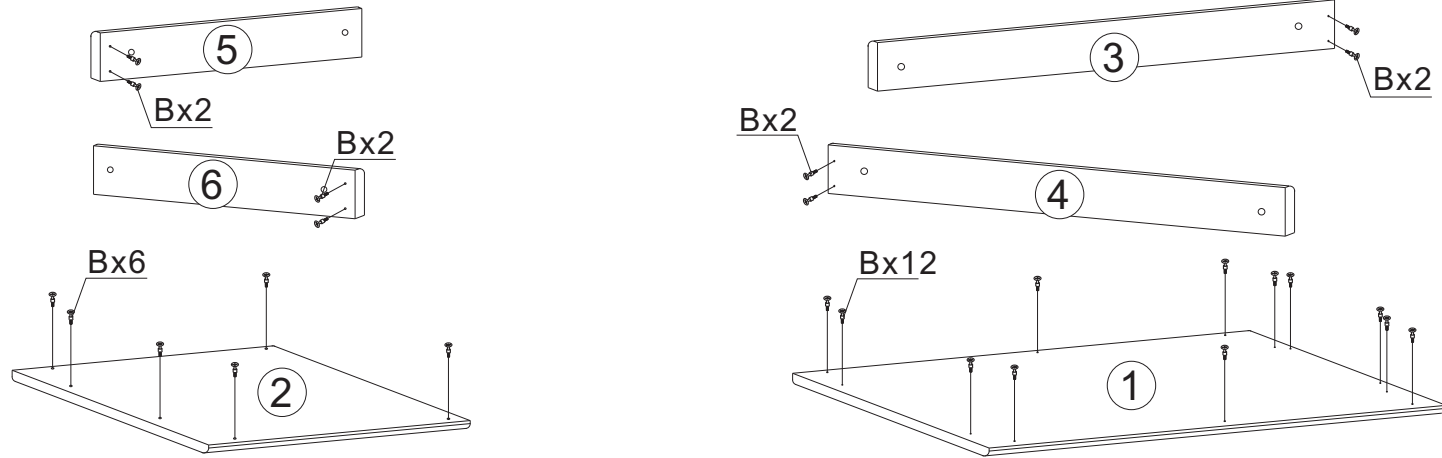
PREPARATION

Before beginning assembly of product, make sure all parts are present. Compare parts with package contents list and hardware contents list.

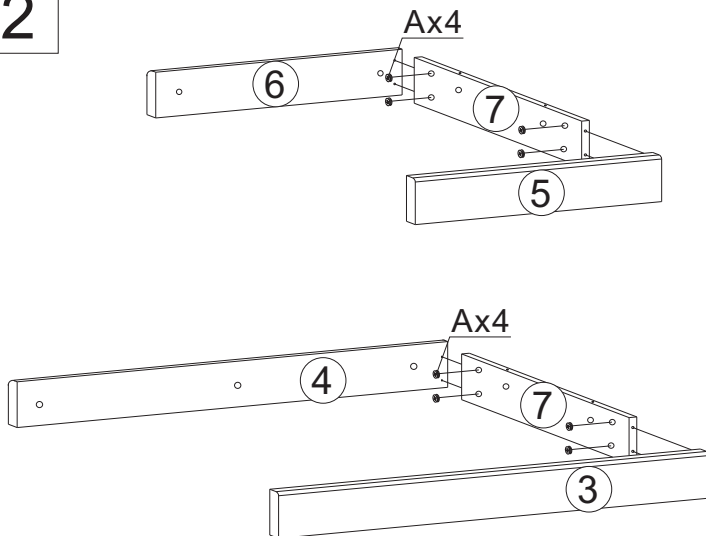
If any part is missing or damaged, do not attempt to assemble the product.

Estimated Assembly Time: 40 minutes.

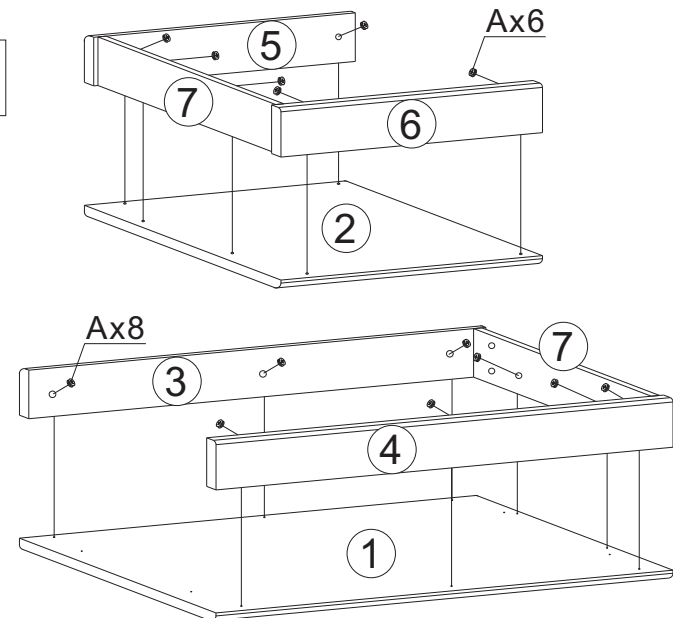
1



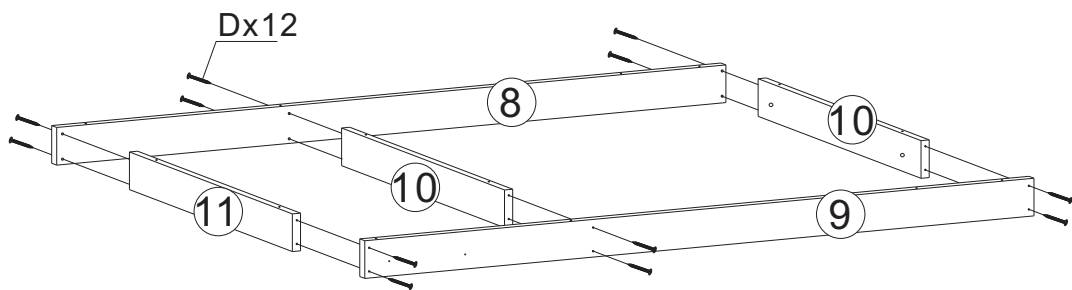
2



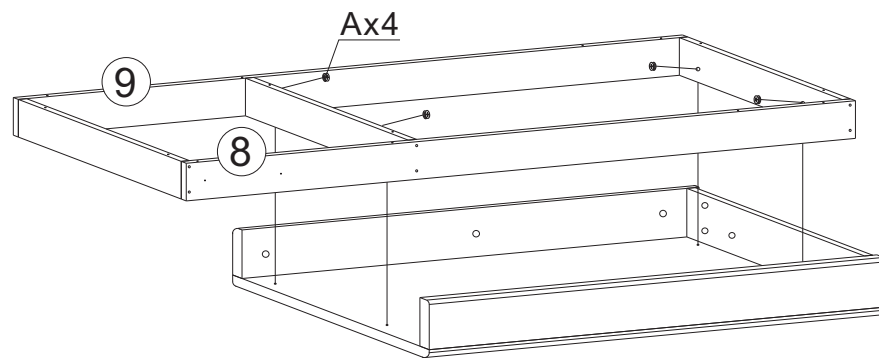
3



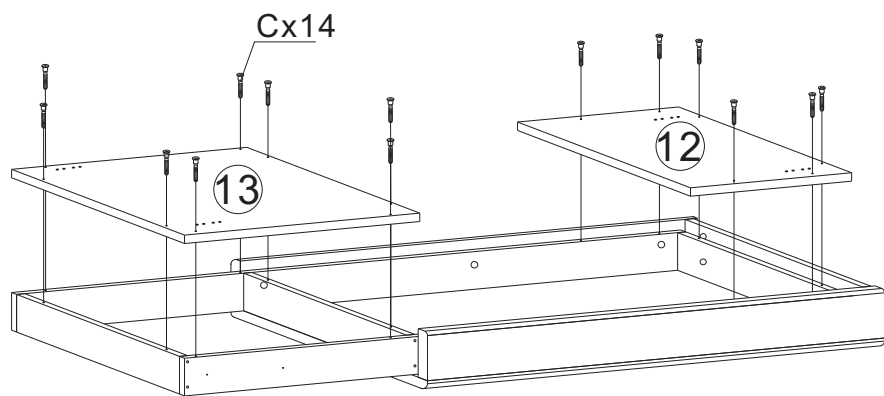
4



5

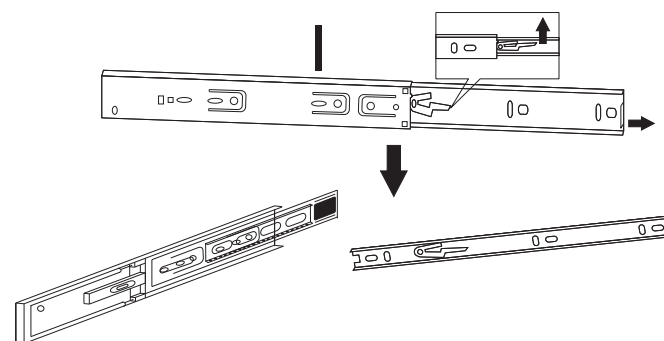


6

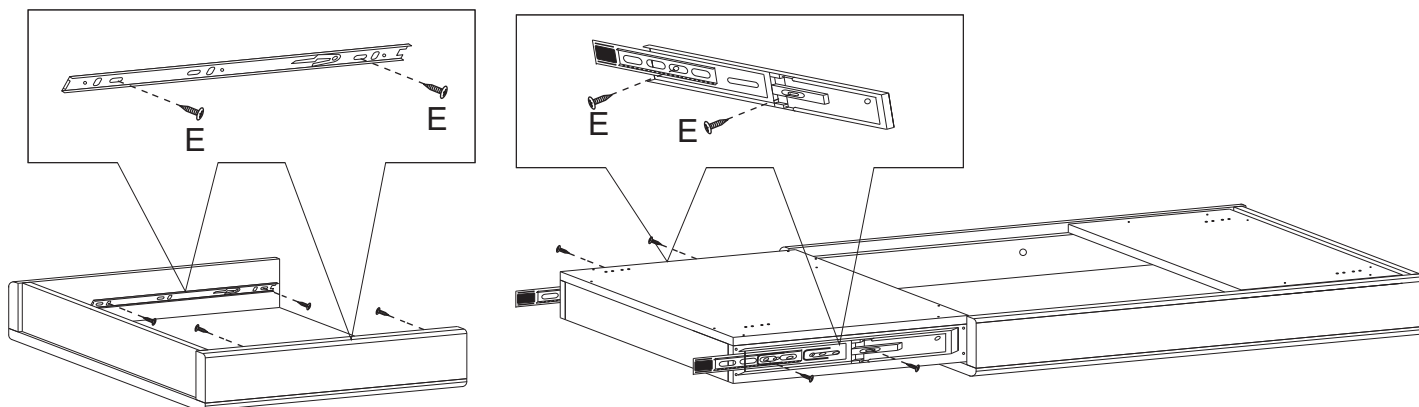


7

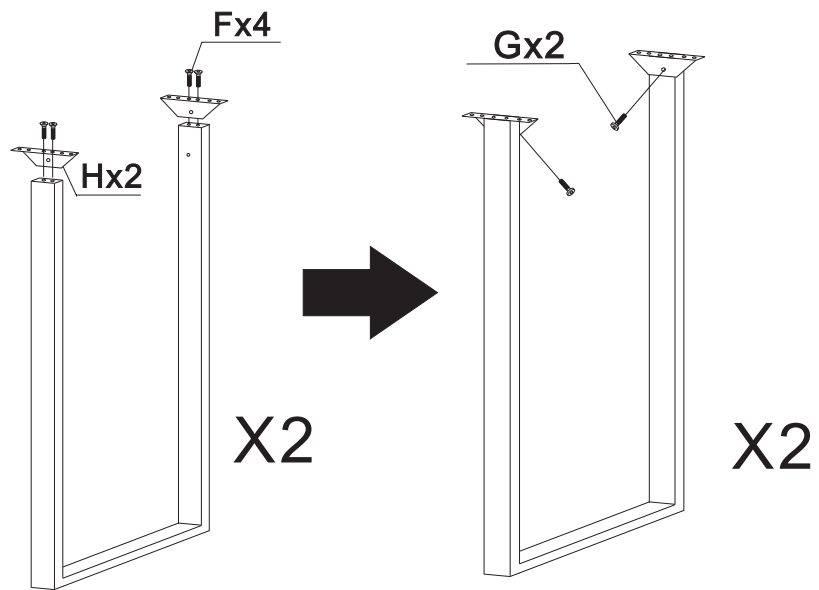
To extend metal sliders lift up the plastic lever.



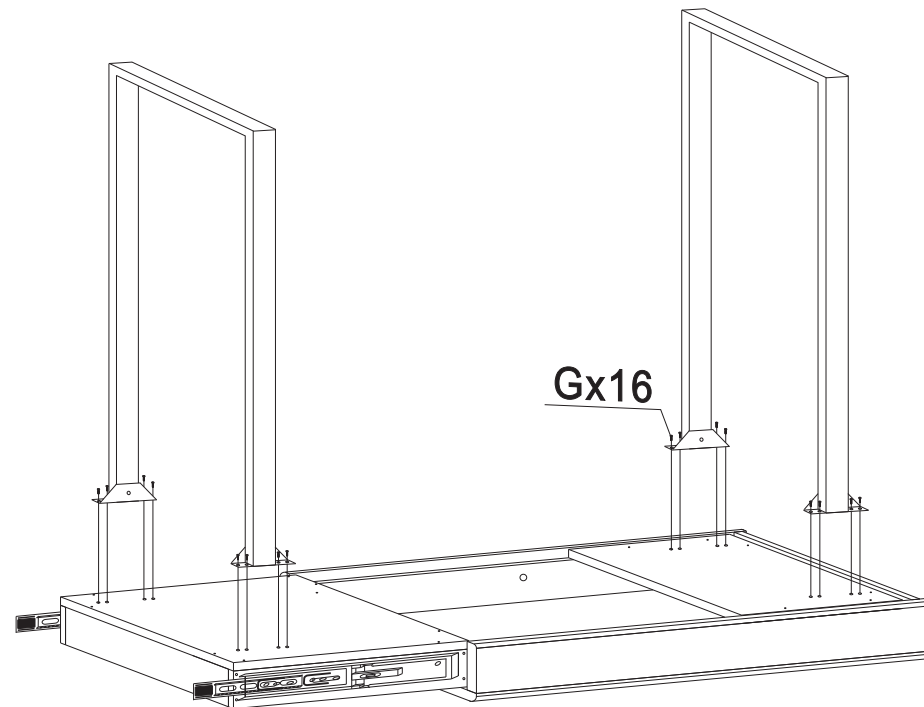
8



9



10



11

