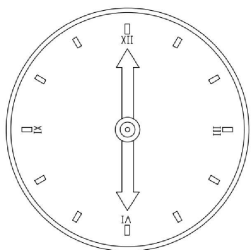
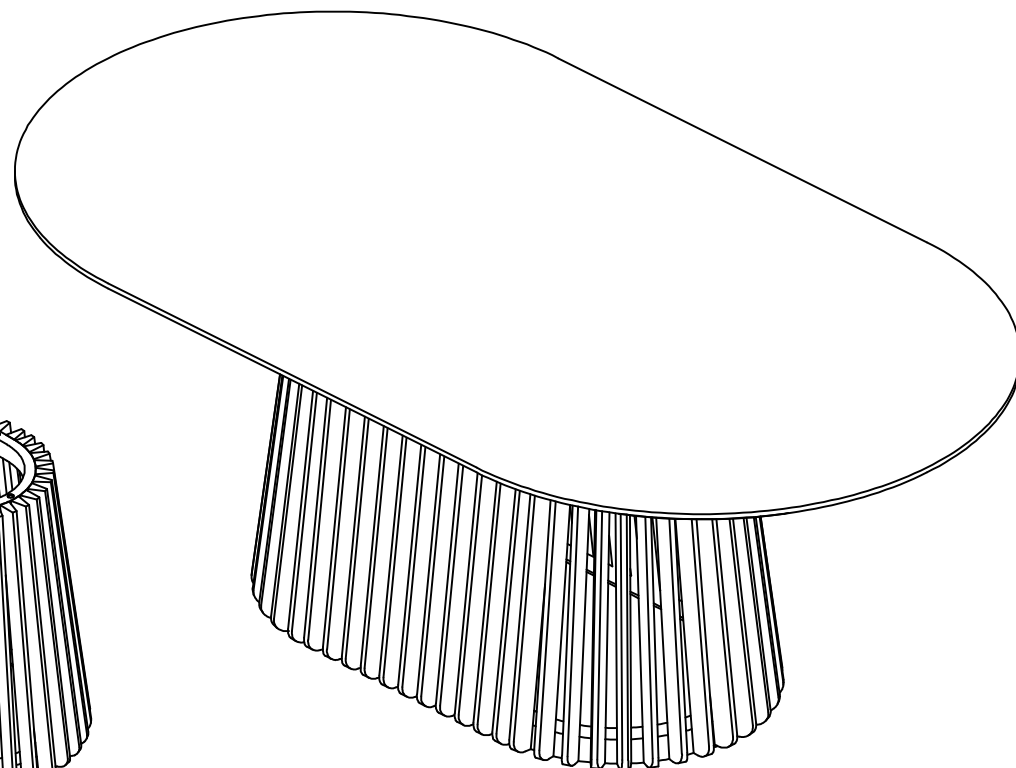
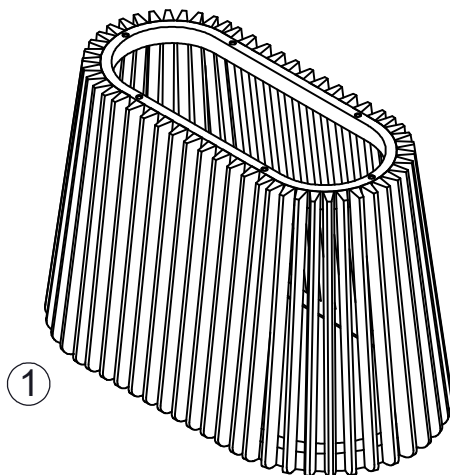
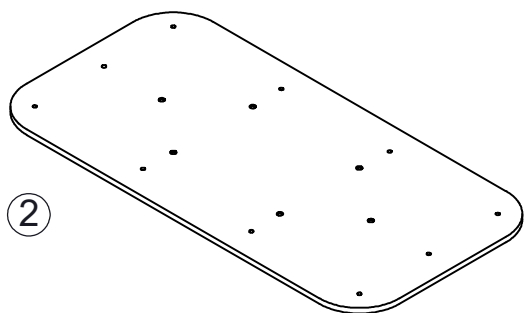
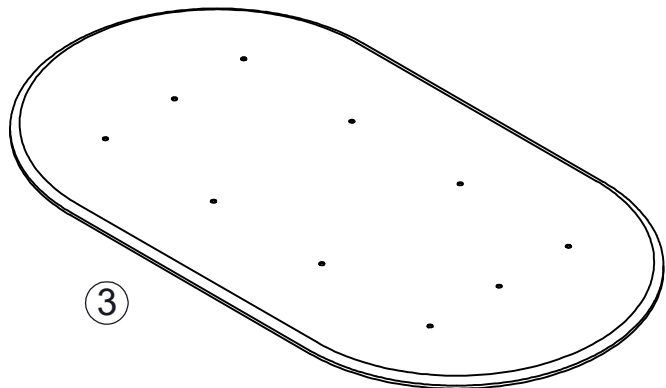
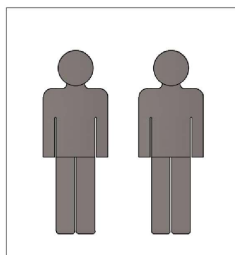


# ASSEMBLY INSTRUCTION

## PASADENA OVAL DINING TABLE



15 min



**NOTE:** All contents included with this item are listed below. Prior to assembly, identify and take inventory of the individual components and hardware listed. It is recommended that you place all contents on a padded or carpeted clean area during the assembly process to protect contents from damage. Closely follow all assembly instructions, step-by-step, as improper assembly can result in property or personal damage. Put all the bolts lightly in place before tightening them. **BE SURE TO CHECK ALL BOLTS SECURELY TIGHTENED PRIOR USING THIS TABLE**

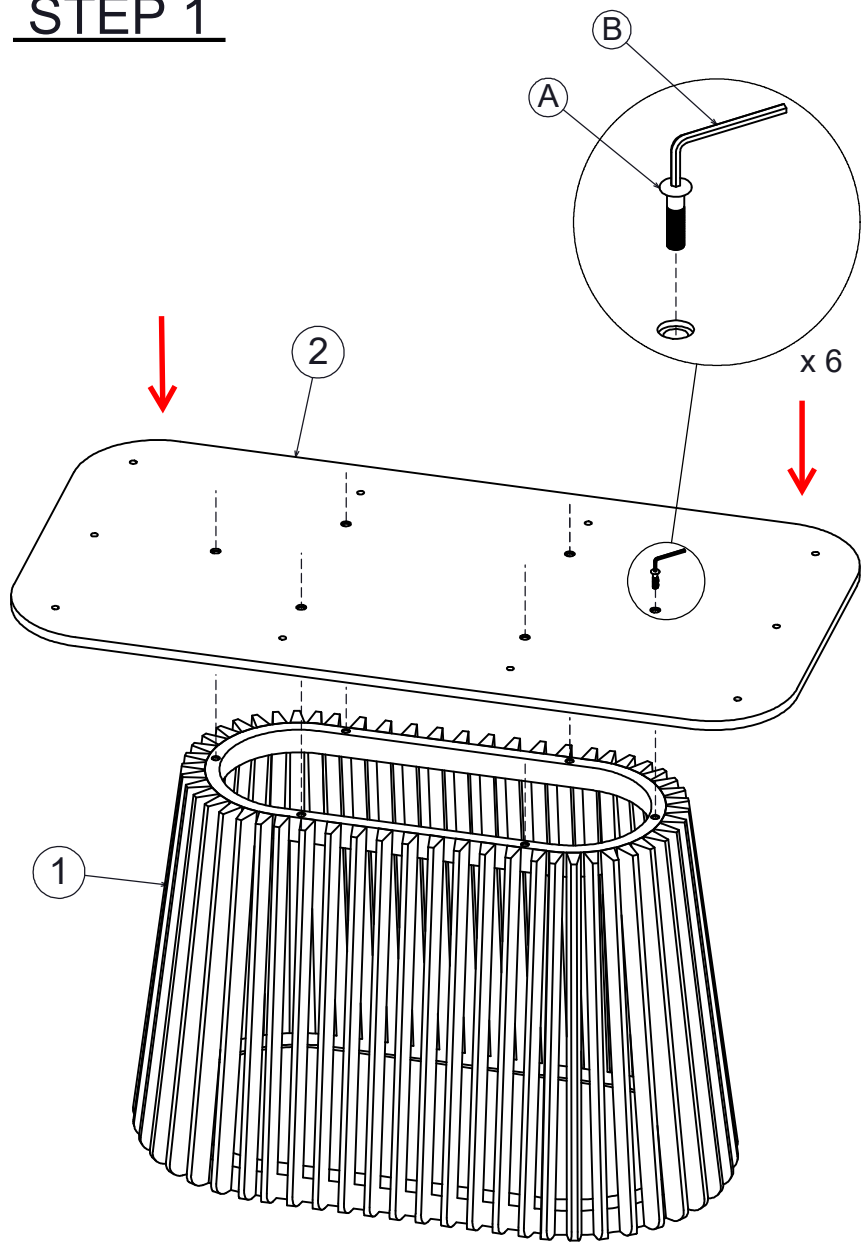


A x 16  
M8 x 30mm

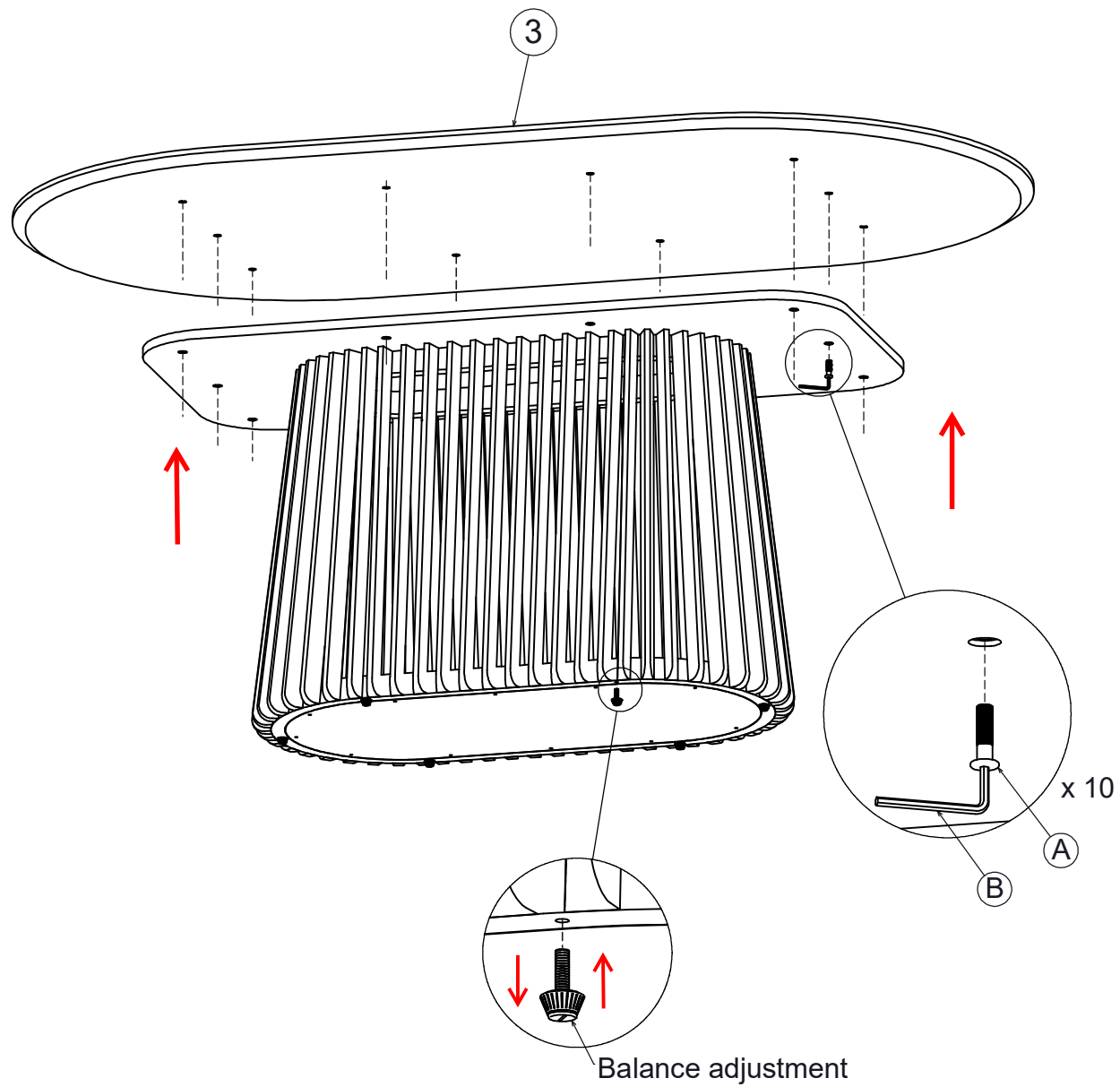


B x 1  
M4

# STEP 1

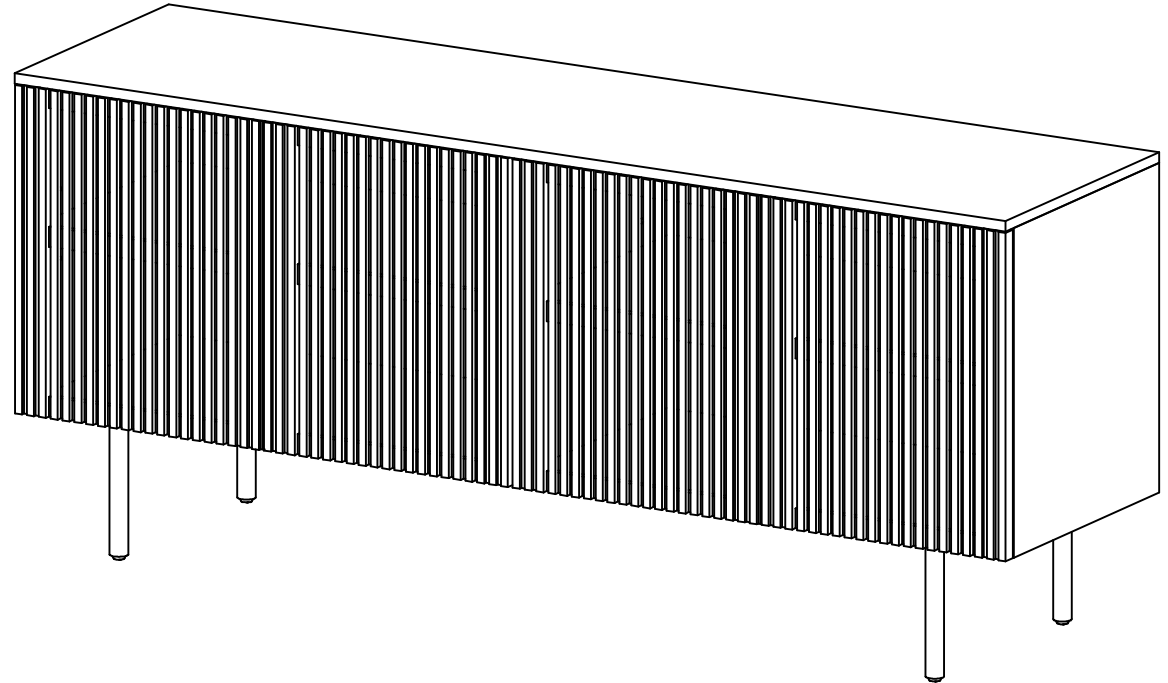
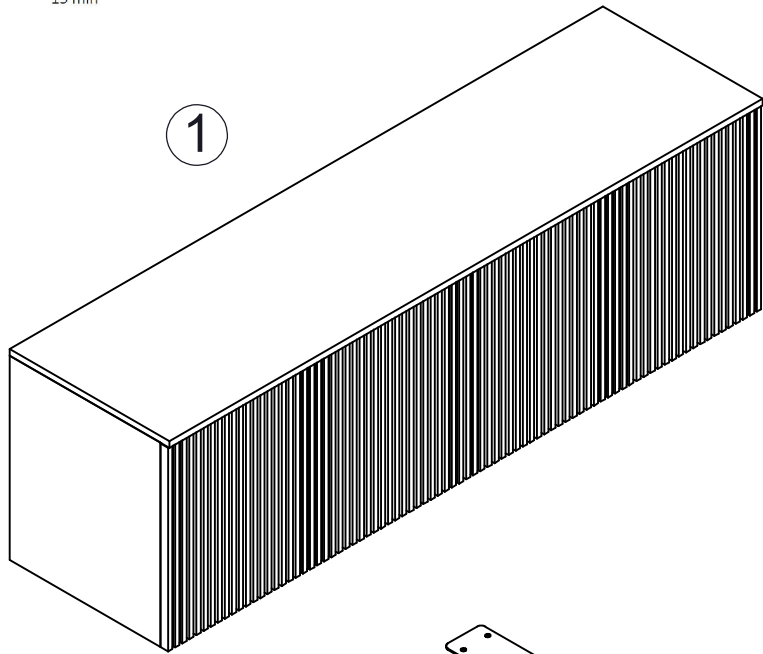
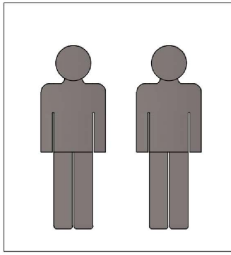
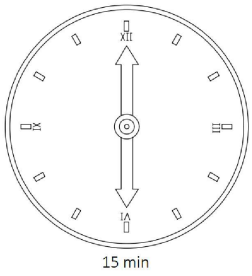


# STEP 2

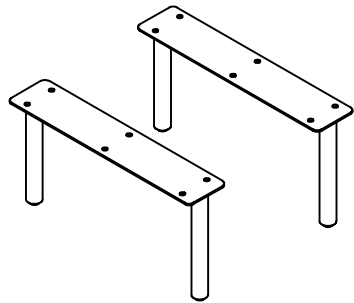


# ASSEMBLY INSTRUCTION

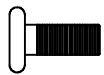
## PASADENA BUFFET CABINET



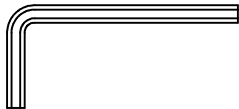
2



**NOTE:** All contents included with this item are listed below. Prior to assembly, identify and take inventory of the individual components and hardware listed. It is recommended that you place all contents on a padded or carpeted clean area during the assembly process to protect contents from damage. Closely follow all assembly instructions, step-by-step, as improper assembly can result in property or personal damage. Put all the bolts lightly in place before tightening them. **BE SURE TO CHECK ALL BOLTS SECURELY TIGHTENED PRIOR USING THIS BUFFET**



A x 12  
M6 x 15mm



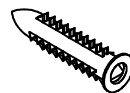
B x 1  
M4



C x 2



D x 4

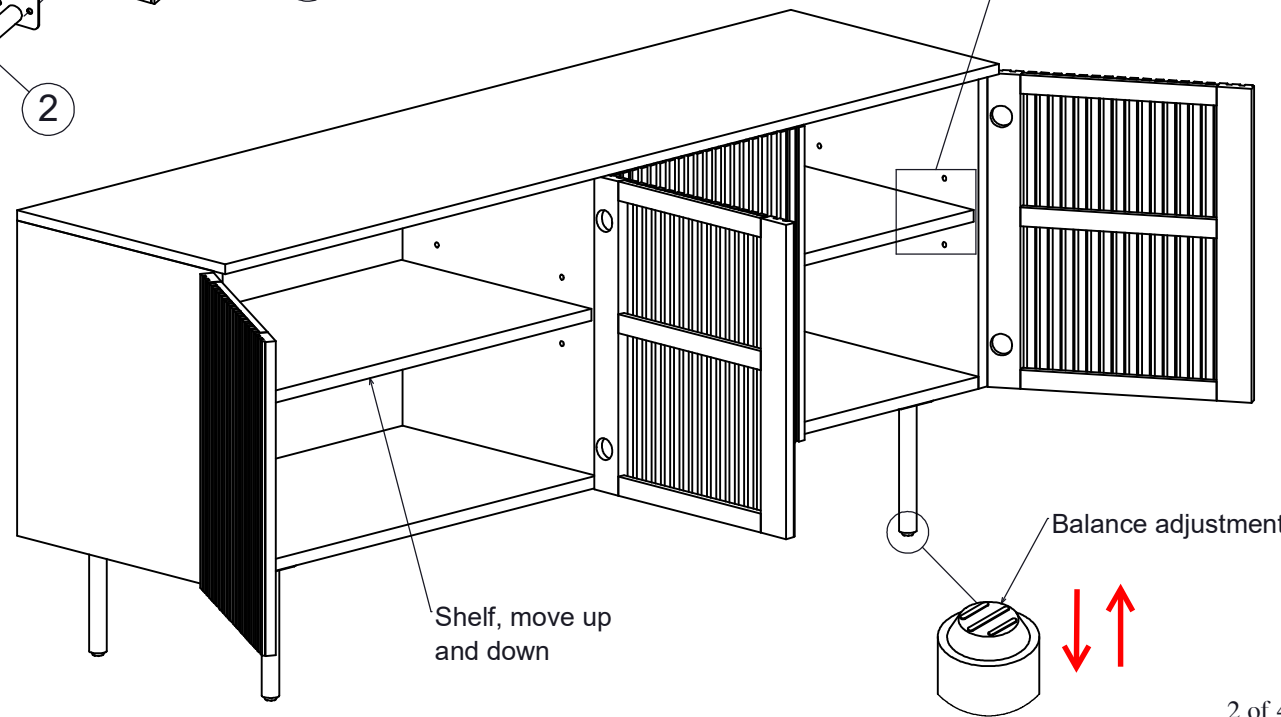
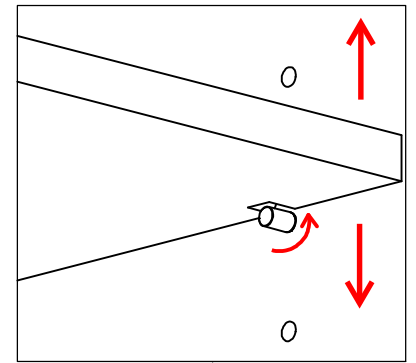
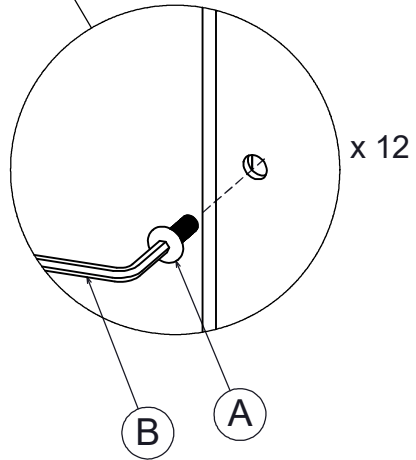
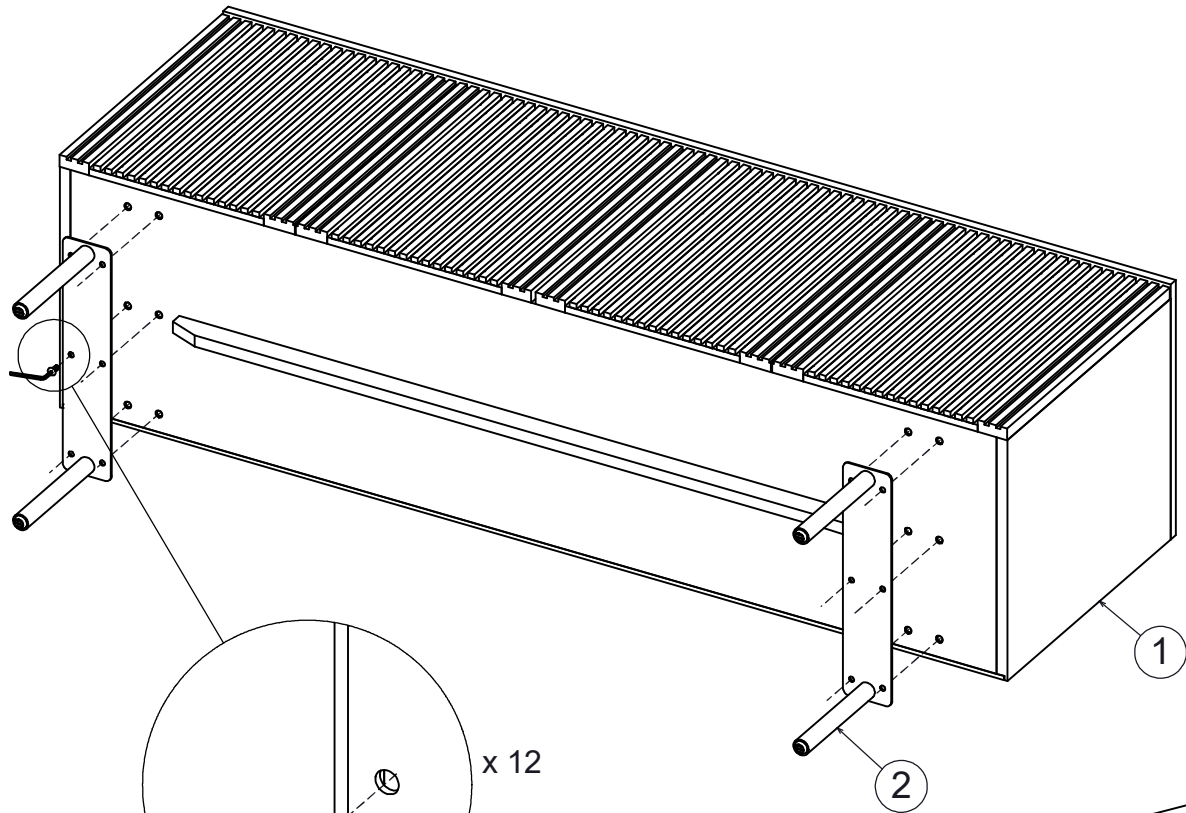


E x 2



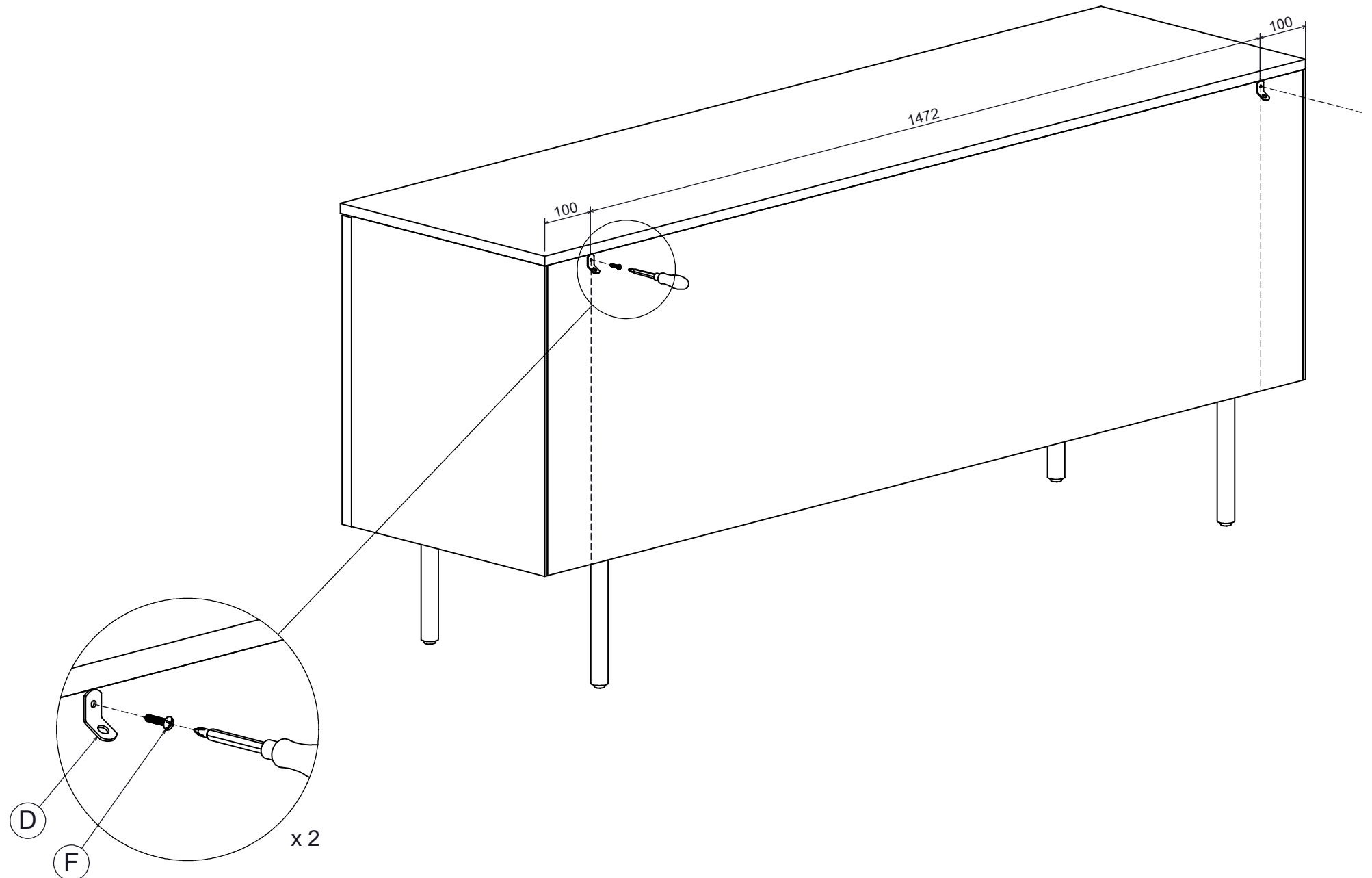
F x 4  
M4 x 20mm

# STEP 1



## STEP 2 Anti-Tipover Device

Tools Required: Phillips Head Screwdriver



# STEP 3

