

N5900-8140 FULL SIZE 4/6

BOTTOM BUNK EXTENSION

Congratulations on your purchase of a Legacy Classic Kids Bed. Every effort has been made to ensure your furniture is of the finest quality. If you find that your furniture has a missing or damaged part, please contact your local Legacy Kids retailer. Please read and follow these instructions carefully.

LEGACY CLASSIC
FURNITURE

Model No.

N5900-8140

LEGACY CLASSIC FURNITURE

Assembly Instructions For #N5900-8140 Full Size Bunk Bed Extension Kit

SAFETY WARNINGS AND GENERAL NOTES:

- Follow the warning information on the bunk bed end structure and on the carton. Do not remove the warning label from the bed.
- Always use the recommended size mattress and mattress supports to help prevent the likelihood of entrapment or falls.
- A slat roll must be used to support the mattresses.
- The top surface of the mattress must be at least 5" below the upper edge of the guardrails.
- Do not allow children under 6 years of age to use the upper bunk.
- Periodically check and ensure the guardrail, ladder and other components are in their proper position, free from damage, and all connectors are tight.
- Prohibit horseplay on or under the bed. Always prohibit jumping on the bed.
- Prohibit more than one person on upper bunk.
- Always use the ladder for entering and leaving the upper bunk.
- Do not use substitute parts. Contact your retailer for replacement parts.
- Use of a night-light may provide added safety precaution for a child using the upper bunk.
- Always use guardrails on both sides of the upper bunk.
- If the bunk bed will be placed next to a wall, the guardrail that runs the full length of the bed should be placed against the wall to prevent entrapment between the bed and the wall.
- The use of water or sleep flotation mattresses is prohibited.
- Keep these instructions for future reference.
- We recommend assembling your bunk bed on the shipping carton to protect your floor or carpet. Be certain all staples are out of the box before beginning assembly on the shipping carton.
- **STRANGULATION HAZARD** -- Never attach or hang items to any part of the bunk bed that are not designed for use with the bed; for example, but not limited to, hooks, belts, and jump ropes.

Caution: (1) These parts are cumbersome and heavy. This product can best be assembled with the assistance of one or more persons in order to prevent personal injury and to insure parts are not damaged during the assembly process. If dirty, clean finished parts with mild dishwashing liquid and water solution applied on damp cloth. Cloth should not be excessively wet. Polish finish with soft cloth and an industry recognized furniture polish.

(2) To prevent damage to your floor or carpet, please check the bottom of each piece of furniture for stain residue and rough surfaces and also check for staples or nails left after removing the packaging material. The manufacturer will not be held responsible if preventative steps are not taken prior to installation.

(3) This extension kit is designed to work on the bottom bunk only! **DO NOT ATTEMPT TO ATTACH UPPER BUNK.**

(4) During normal use everyday, screws, bolts, nuts and wooden plugs may loosen up. They should be periodically inspected and re-tightened to prevent damage to the furniture and (or) personal property or cause injury. Always check to be sure all hardware on this list and the below mentioned components are attached to the furniture properly and kept tightened at all time.

The bunk bed is designed for the following size mattress and slat roll on lower bed:

Mattress: 53"*74-1/2"*7" maximum thickness


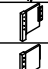
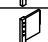
A slat roll must be used to support the mattress.

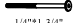


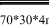

Note: Mattress and slat roll combined must not exceed 10" total thickness.

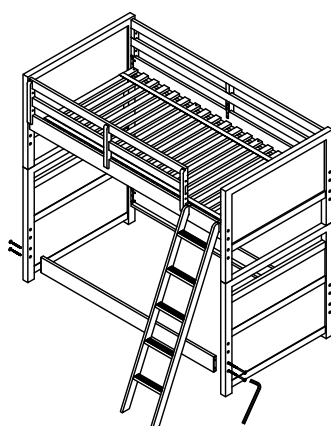
LEGACY CLASSIC FURNITURE

Assembly Instructions For #N5900-8140 Full Size Bunk Bed Extension Kit

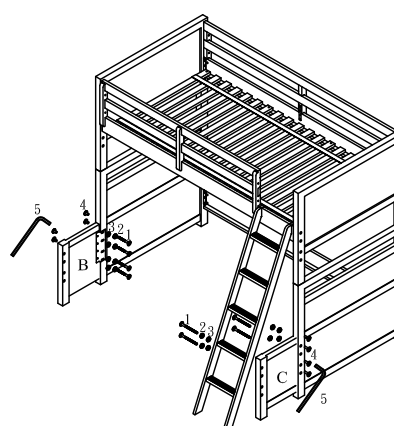
Do not throw away any packing materials until the furniture is completely assembled.

PART LIST			Q'TY
A	BUNK BED		1 PC
B	LEFT EXTENSION PANEL		1 PC
C	RIGHT EXTENSION PANEL		1 PC

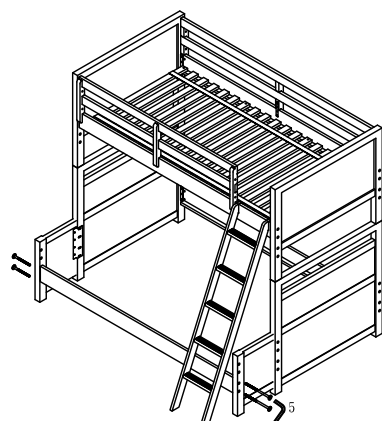
HARDWARE LIST			Q'TY	HARDWARE LIST			Q'TY
1	BOLT	 1/4"*1-3/4"	8 PCS	4	HOLE COVER	 1/4"*17mm	8 PCS
2	LOCK WASHER	 1/4"	8 PCS	5	WRENCH	 70*30*4mm	1 PC
3	FLAT WASHER	 1/4"*19MM	8 PCS				



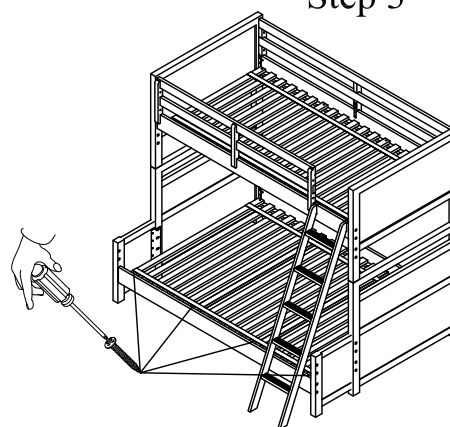
Step 2



Step 3



Step 4



Step 5

Note: When attaching extension kit to an existing bunk bed, the lower bunk bed front rail must be disassembled prior to extension kit assembly.

Assembly Procedures:

Step 1: Lay out all parts and hardware. Make sure the quantity of each is correct and the feet are free of stain, staples, screws and nails.

Step 2: Remove slat roll between rails of bottom bunk and front side rail as shown.

Step 3: Position the extension panel bracket to lower bed post, aligning holes in bracket with holes in bed post. Insert hole cover (4) on the outside of the post. Install bolt (1), lock washer (2) and flat washer (3) through bracket on inside of post and tighten with 4mm wrench (5).

Step 4: Attach the side rail with connecting bolts as shown on the bunk bed assembly instruction.

Step 5: Put the slat roll extension kit on the cleats, spread out and fasten wood screws as shown.

Assembly is complete.