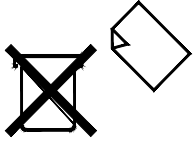


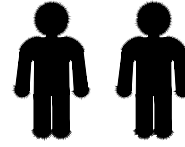
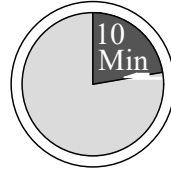
HINTS & TIPS



Assembly Instruction

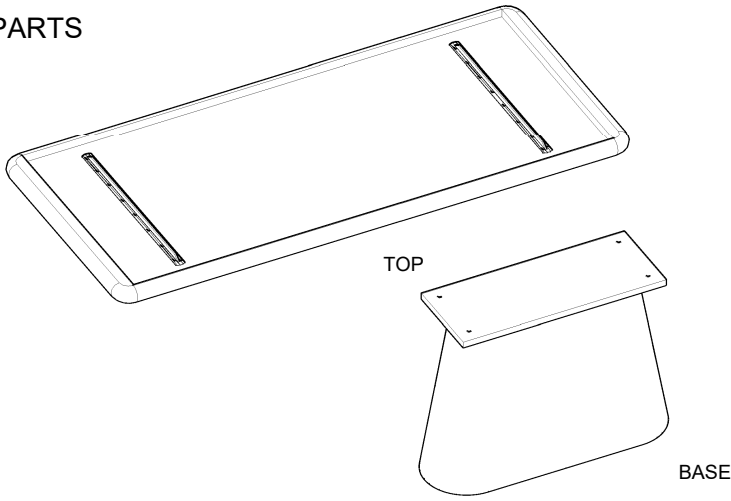


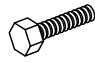


Please retain this assembly instruction for future use.



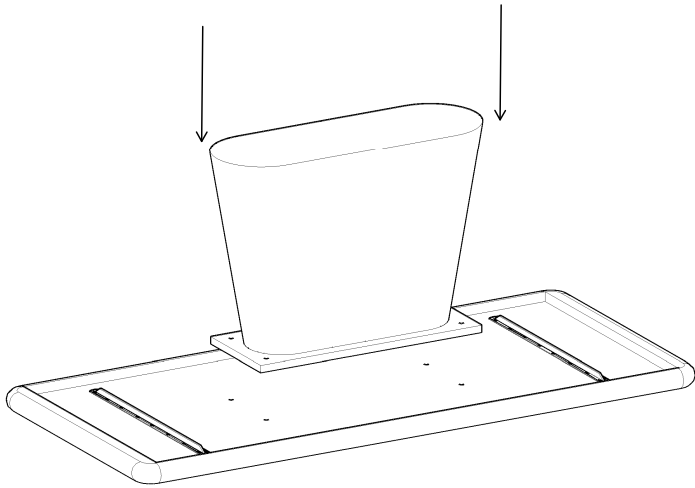
This assembly requires two people

PARTS

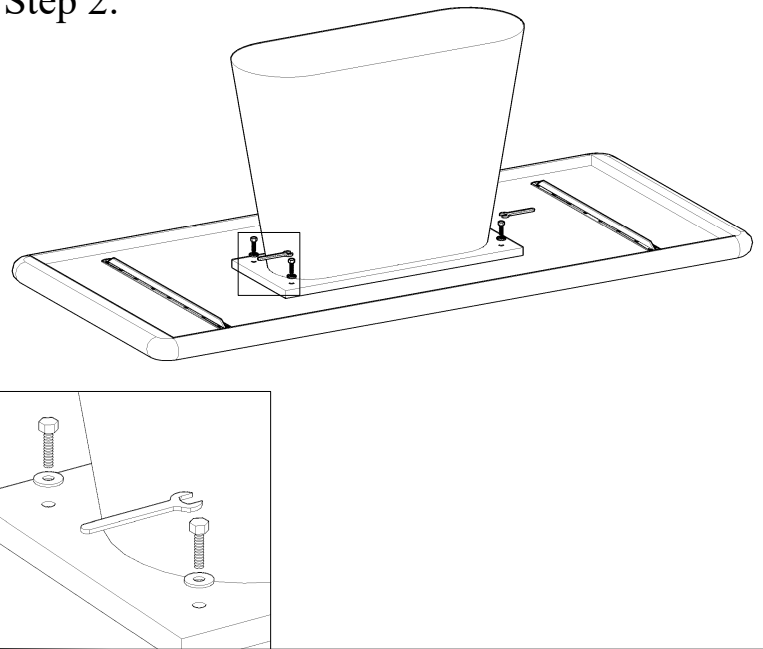


Code	Description	Qty
01	 Hexa Bolt	04
02	 Washer	04
03	 Spanner	01

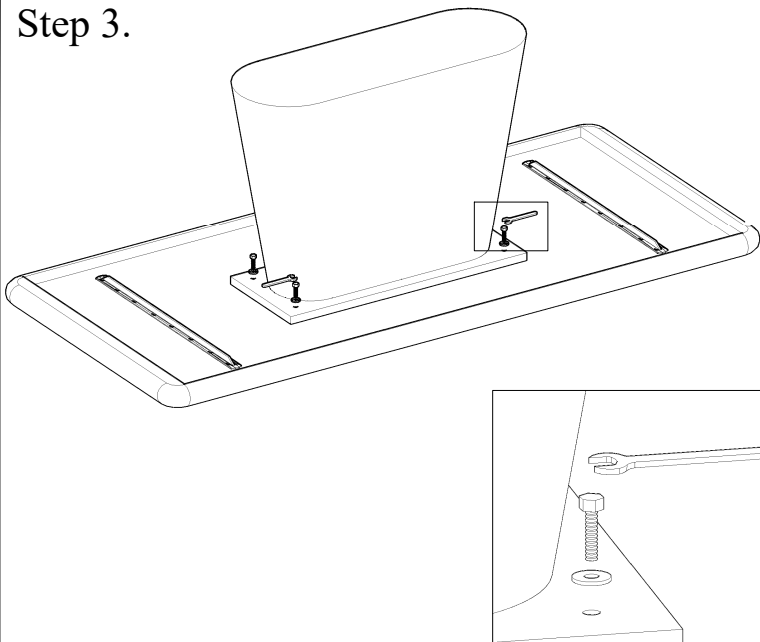
Step 1.



Step 2.



Step 3.



Step 4.

