

# Please Read The Following Instructions Before Installing: Classic Z-pipe High Tank Toilet

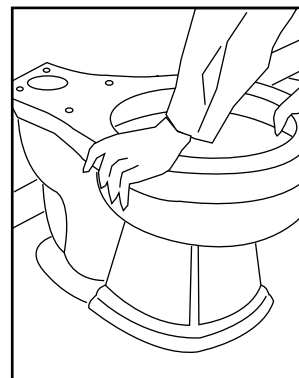
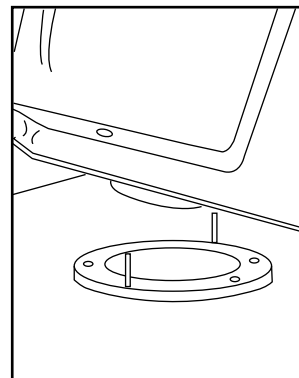
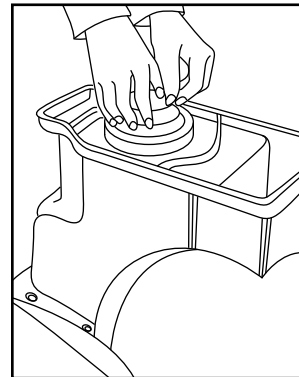
## Preparation and disassembly

1. Shut off water supply to the existing water closet
2. Disconnect water supply tubing from existing tank and angle stop valve
3. Remove existing water closet and tank from floor
4. Remove old wax seal and clean area around the drain
5. Draw a center line (as illustrated) through center of the drain to the wall. Plumb a line vertically to the wall up to 79", at this point draw a horizontal line on either side of the center line.

## Toilet Bowl Installation

1. To install the toilet bowl turn it upside-down. Place the new wax ring (available at any hardware or plumbing supply store) and sleeve over the drain horn. Press it down firmly. Note: if the ring has a paper cover, remove it.
2. Make sure the toilet flange is clean and the floor bolts point straight up. Carefully position the toilet bowl over the flange, and fit the holes in the toilet base directly over the floor bolts.
3. Press down on the toilet bowl to compress the wax ring, to form a tight seal. Attach the washers and nuts to the floor bolts, and tighten them with a (non-scratch) adjustable wrench. (Note: Don't over-tighten the bolts as you may crack the ceramic base).

Toilet Bolt Covers are available at [rensup.com](http://rensup.com)  
**17612** White, **17613** Bone, **17614** Black



These instructions and drawings disclose confidential and other data of proprietary nature owned by Renovator's Supply, Inc. and may not be used or disclosed to others without the prior consent of Renovator's Supply, Inc.

# Instructions

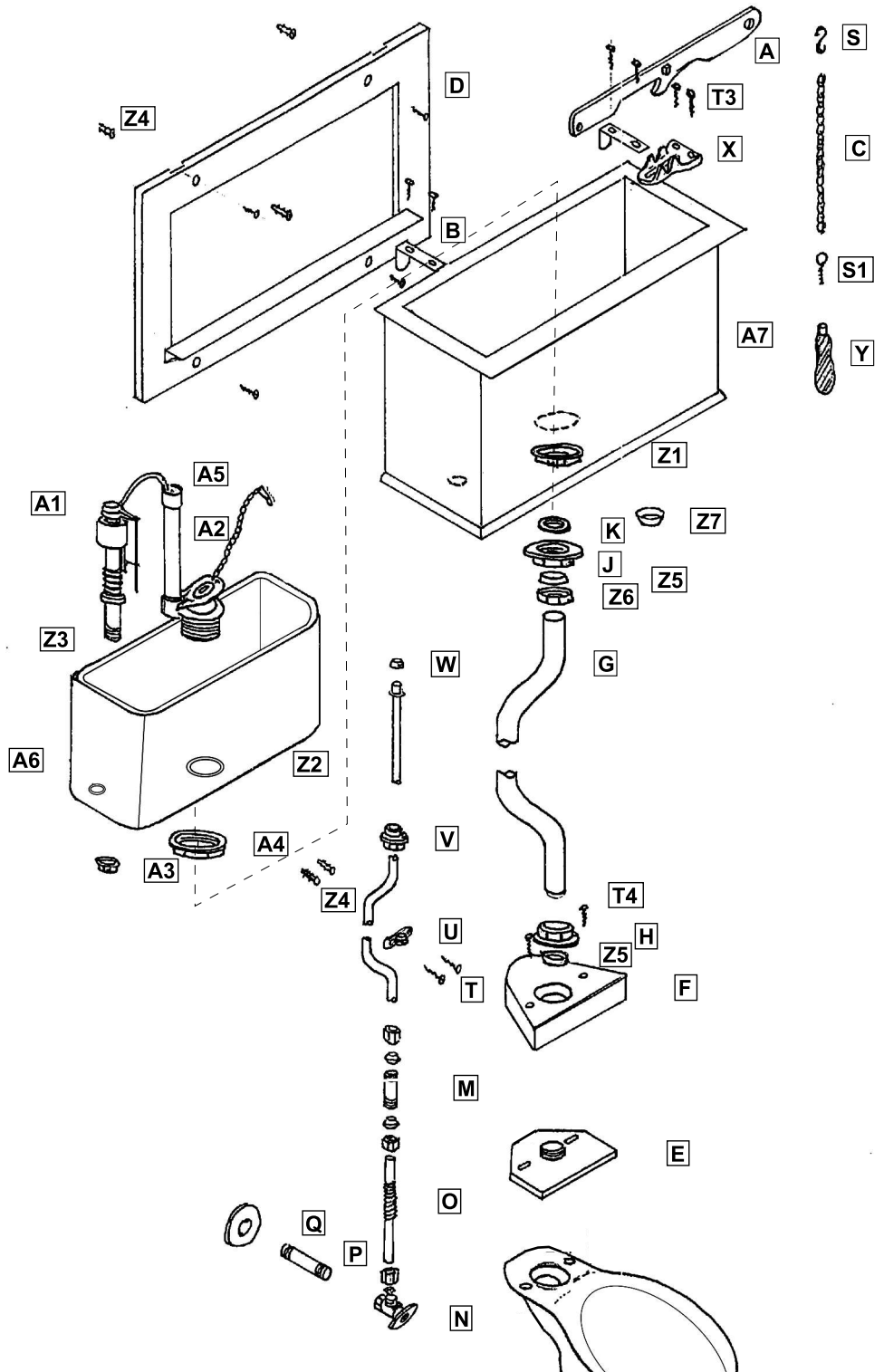
REF:#1043-E

## PULL CHAIN TOILET

### INSTALLATION PROCEDURE

# 11 STEPS

Part#	Parts Description	QTY
A	Flush Arm	1
A1	Fill Valve	1
A2	Flush Valve	1
A3	Small Plastic Locknut (for Fill Valve)	1
A4	Large Plastic Locknut (For Flush valve)	1
A5	Rubber Fill Tube	1
A6	Plastic Tank Liner	1
A7	Wood Tank	1
B	Hanger Bracket	2
C	Pull Chain	1
D	Moulding Bracket	1
E	Conversion Panel	1
F	Cover Plate	1
G	47" Stainless Steel Tube	1
H	Medium Decorative Nut	1
J	Large Decorative Nut	1
K	Rubber Washer	1
L	1/2" Water Supply Line	1
M	Compression Coupling	1
N	Shut Off Valve	1
O	12" Supply Line	1
P	Nipple	1
Q	Flange	1
S1	Eye Screw	1
T	Bracket Screw (Plated)	2
T2	Moulding Bracket Screw	4
T3	S/S Pin Head Screw	6
T4	Cover Plate Screw (Plated)	2
U	Bracket	1
V	Small Brass Decorative Nut	1
W	Cone Washer	1
X	Brass Cradle	1
Y	Knob	1
Z1	Large Metal Locknut	1
Z2	Large Rubber Gasket	1
Z3	Small Rubber Gasket	1
Z4	Plastic Anchor	6
Z5	Plastic Slip Joint Washer	2
Z6	Brass Slip Joint Nut	1
Z7	Rubber Water Restrictor	1



These instructions and drawings disclose confidential and other data of proprietary nature owned by Renovator's Supply, Inc. and may not be used or disclosed to others without the prior consent of Renovator's Supply, Inc.

# Instructions

REF:#1043-E

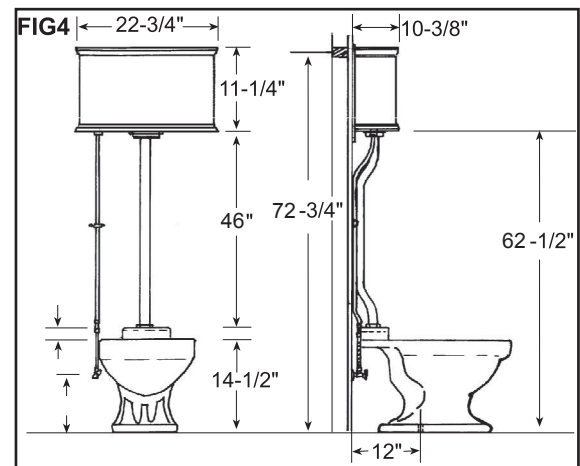
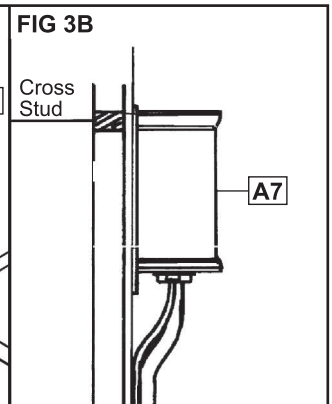
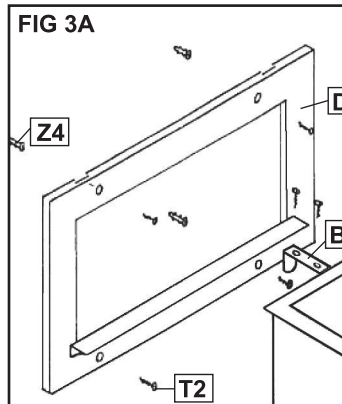
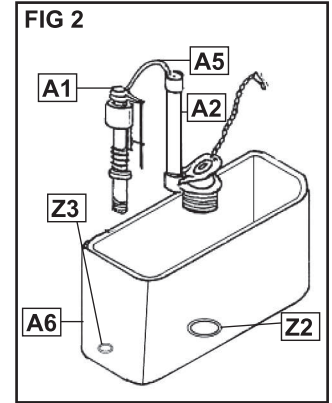
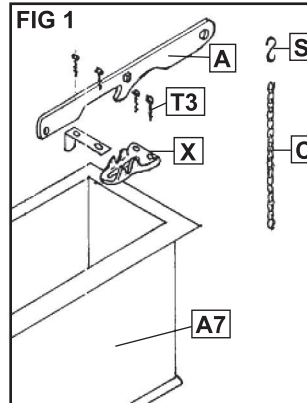
## PULL CHAIN TOILET

# 11

 STEPS

### INSTALLATION PROCEDURE

- 1** First install the toilet bowl as per manufacturers' specifications and instructions.
- 2** Attach flush arm (A) on the brass cradle (X) mounted on the right side of the wood tank (A7). Hook the end of the pull chain (C) to the flush arm and flapper chain to the opposite side. (Fig 1)
- 3** Make sure and check that the refill tube (A5) is inserted on top of the overflow pipe. (Fig 2)
- 4** To mount molding bracket (D), locate the centerline on the wall behind the bowl and mark tank height. We recommend that the bottom edge of the molding be about 60 inches from the floor for regular toilet bowl height 14.5 inches. Secure molding bracket to studs with mounting screws (T2), if studs cannot be accessed we recommend cross studs be toe-nailed into the vertical studs, use plastic anchors (Z4) for the bottom part of the molding bracket mark sure to drill within 1 inch of the outside perimeter of the molding bracket (D). This area will be exposed. (Fig 4)
- 5** Align hanger brackets (B) on the wood tank to the inside notch of the molding bracket (D) and hang the wood tank (A7). (Fig 3B)



These instructions and drawings disclose confidential and other data of proprietary nature owned by Renovator's Supply, Inc. and may not be used or disclosed to others without the prior consent of Renovator's Supply, Inc.

# Instructions

REF:#1043-E

## PULL CHAIN TOILET

# 11 STEPS

### INSTALLATION PROCEDURE

**6** Fasten conversion panel (E). Place cover plate (F) on top of conversion panel (E) and secure with cover plate screws (T4). (Fig 5)

**7** Slide brass slip joint nut (Z6) followed by plastic slip joint washer (Z5) and large decorative nut (J) with rubber washer (K) into top end of the 47" stainless steel tube (G), Insert rubber water restrictor (Z7) inside the 47" stainless steel tube (G) and loosely attach the large decorative nut (J) to the receiving thread of the flush valve (A2) on the woodtank slightly tighten all joints. (Fig 6)

**8** Slide the medium decorative nut (H) followed by the plastic slip joint washer (Z5) to the bottom end of the 47" stainless steel tube and loosely attach to the receiving thread of the conversion panel (E). (Fig 5)

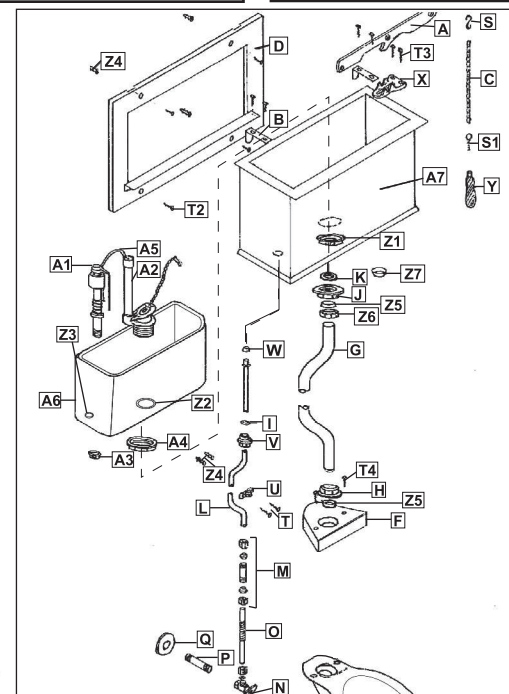
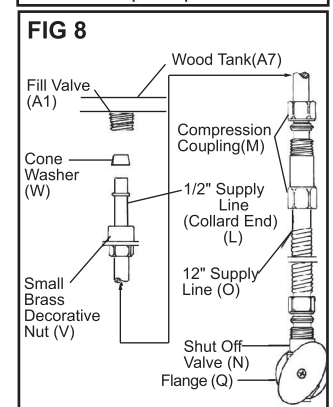
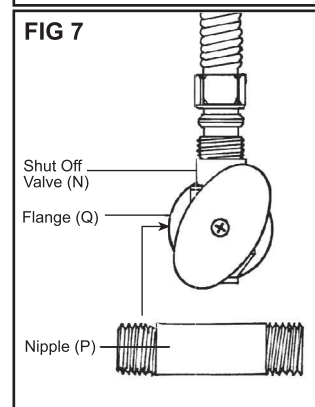
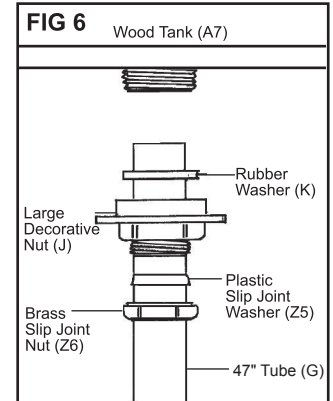
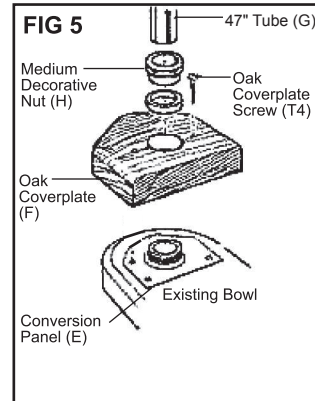
**Note: Steps 6 & 7 involves slight pulls and pushes of the 47" stainless steel tube that will enable proper fitting of the 47" stainless steel tube (G), then check final alignment of the tube and tighten all joints.**

**9** Install the nipple (P) to the water fitting from the wall. Slide in the flange (Q) onto the nipple (P) and install the shut off valve (N). (Fig 7)

**Note: Please wrap both sides of the nipples with thread sealer.**

**10** Slide the small brass decorative nut (V) from the opposite end of the 1/2" water supply line (L) (non collared end), and insert cone washer (W) in between the 1/2" water supply line (L) and the small brass decorative nut (V) on the collared end. Connect the small brass decorative nut (V) to the fill valve receiving thread and hand tighten, connect 1/2" water supply line (L) and 12" supply line (O) using the compression coupling (M), then remove the nut and brass sleeve from the shut off valve (N), align the 12" supply line (O) to the shut off valve (N) measure appropriate length and trim accordingly. Slide the brass nut followed by the brass sleeve removed from the shut off valve earlier onto the 12" supply a wrench and make sure all connections are squarely aligned to assure no leakage. Do a final check that all connections are tightened. (Fig 8)

**11** Turn on the shut off valve and fill the tank to its waterline and test flush system,checking for leaks. (Water level is preadjusted from the factory; in some instance re-adjustment might be necessary. Caution: Before turning on the water, please make sure that all parts are installed properly. Never use abrasives, detergents or acids to clean the unit. Use only mild soap and water with a soft cloth to clean the set, the use of harsh chemicals and abrasives of any kind will damage the set which will not be covered by the warranty.



These instructions and drawings disclose confidential and other data of proprietary nature owned by Renovator's Supply, Inc. and may not be used or disclosed to others without the prior consent of Renovator's Supply, Inc.