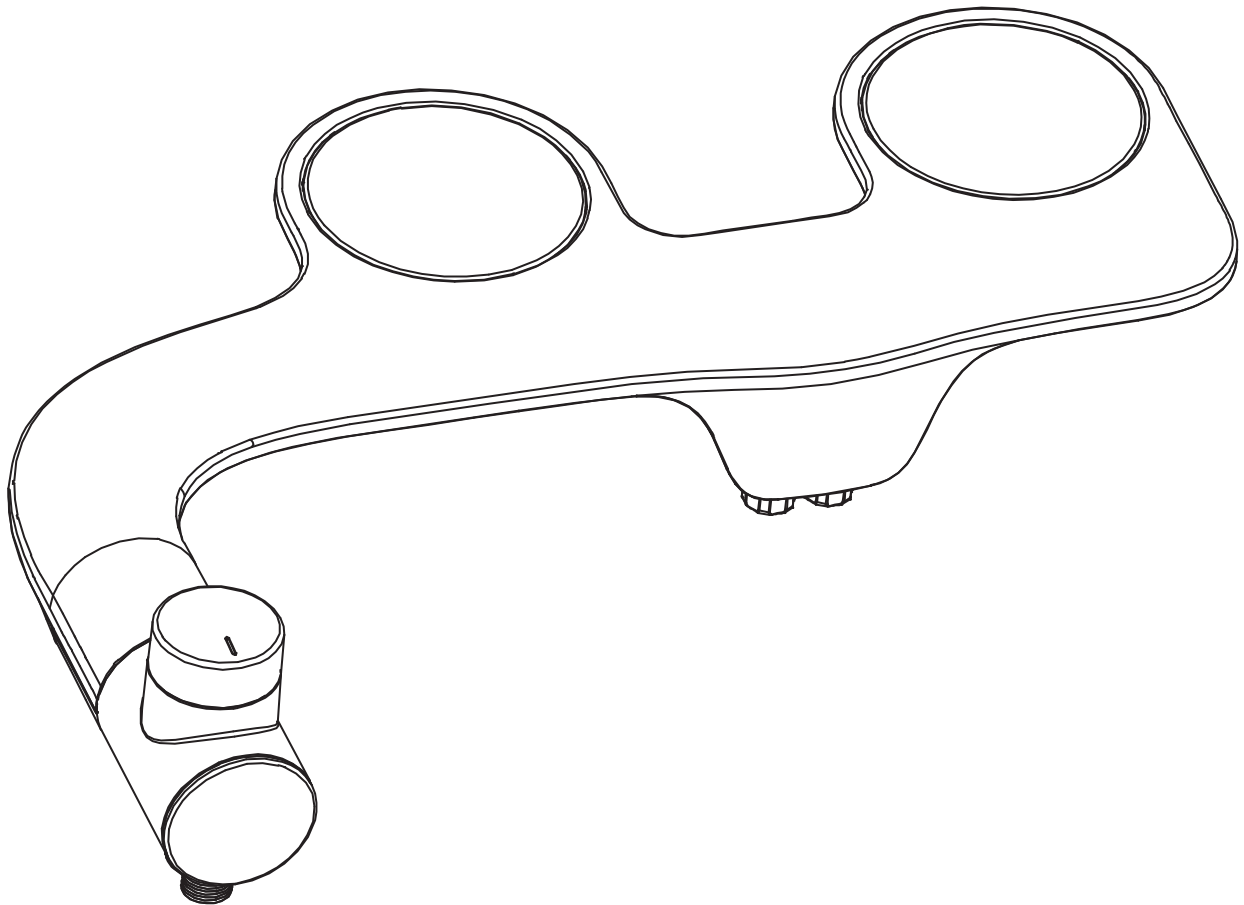


Bidet Toilet Attachment

INSTALLATION INSTRUCTIONS





PRIOR TO INSTALLATION:

- Inspect toilet to ensure no damages have occurred while in shipping.
- Observe all plumbing and building codes in accordance with your state and local requirements.
- All dimensions are nominal! Be sure to measure your toilet prior to installation.
- The step-by-step guidelines in the installation instructions are a general reference. Should there be any discrepancies, Swiss Madison cannot be held liable. It is recommended to install all Swiss Madison products by hiring a licensed professional.
- Read installation and maintenance instructions thoroughly before installing. Be sure to use proper tools and always wear proper personal safety accessories for your protection.
- Keep out of freezing temperatures.

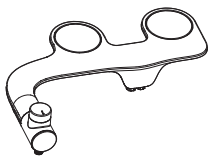
QUESTIONS OR CONCERNS?

Please contact us:

1-434-623-4766

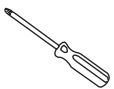
info@swissmadison.com

INCLUDED PARTS:



Bidet
Attachment

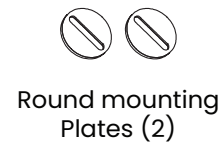
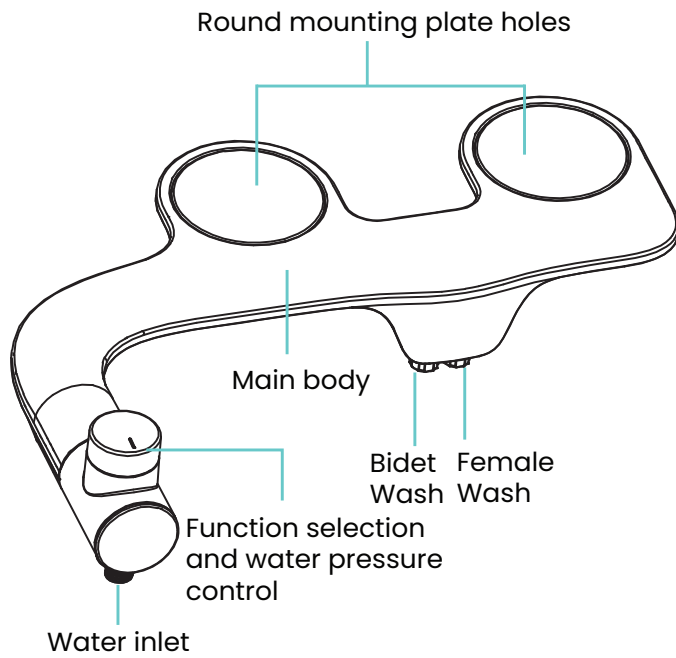
SUGGESTED TOOLS & MATERIALS:



Screwdriver



Wrench



Non-slip mat (2)



Toilet Seat Bumpers (3)
not required for install



Flexible hose



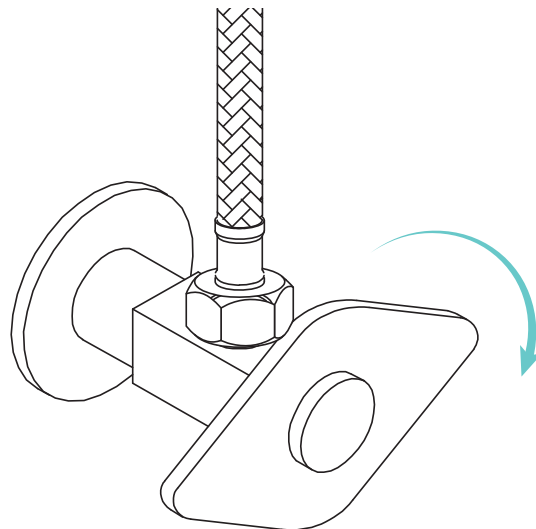
Teflon tape
not required for install

INSTALLATION:

1

Remove Old Seat

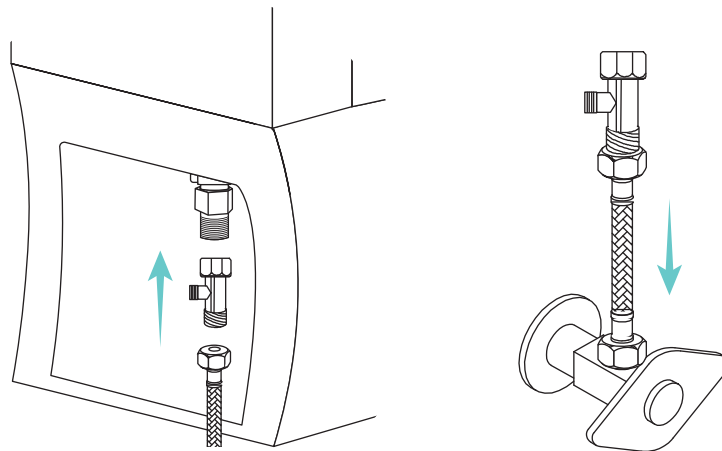
- Remove existing toilet seat.
- Turn off water valve.
- Flush toilet to drain tank completely.



2 Connect Adapter

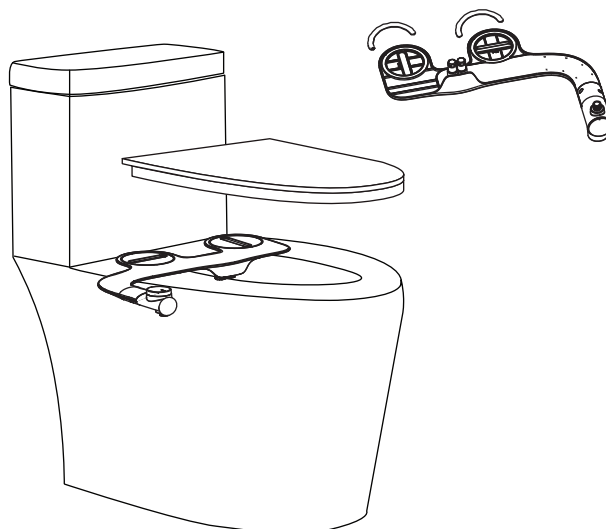
- Disconnect existing water pipe from toilet.
- Attach adapter to the toilet's water supply and then connect to the water valve. (Optional: You may choose to use Teflon tape while installing the adapter to the water supply line, but it is not required.)

NOTE: Over tightening the water valve can cause damage to the threads and result in water leakage. We recommend tightening the valve by hand and checking for any leakage. If additional force is needed to tighten, you may use a wrench and slowly make a quarter turn at a time until fully secured.



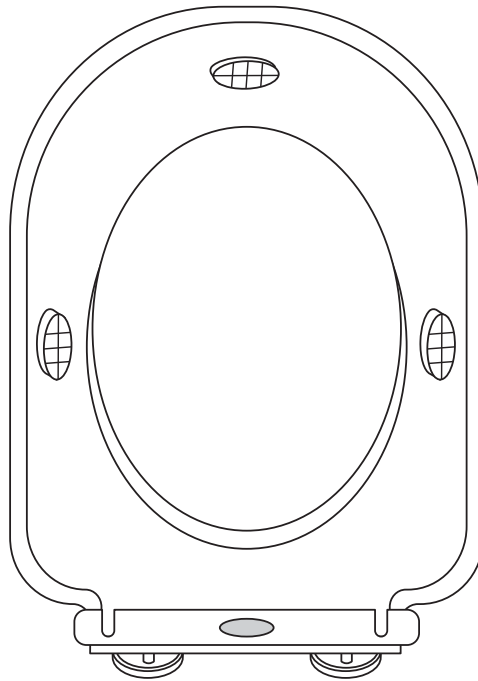
3 Install Bidet Attachment

- Insert the rubber non-slip mats into the bottom of the bidet and place the round mounting plates into the bidet attachment.
- Install the bidet attachment onto the toilet and adjust until it's in the proper position.



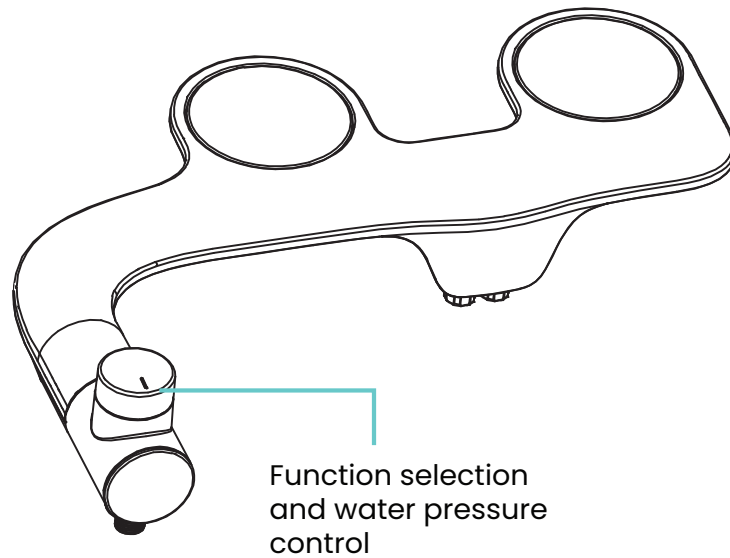
4 (OPTIONAL) Install Toilet Seat Bumpers

- Toilet seat bumpers are provided in this package in the event that the existing seat must be raised to be level with your new bidet attachment.
- To apply the bumpers, simply remove the protective film on the bottom of each bumper and stick the adhesive side directly to the bottom of your seat (recommended placement shown below).



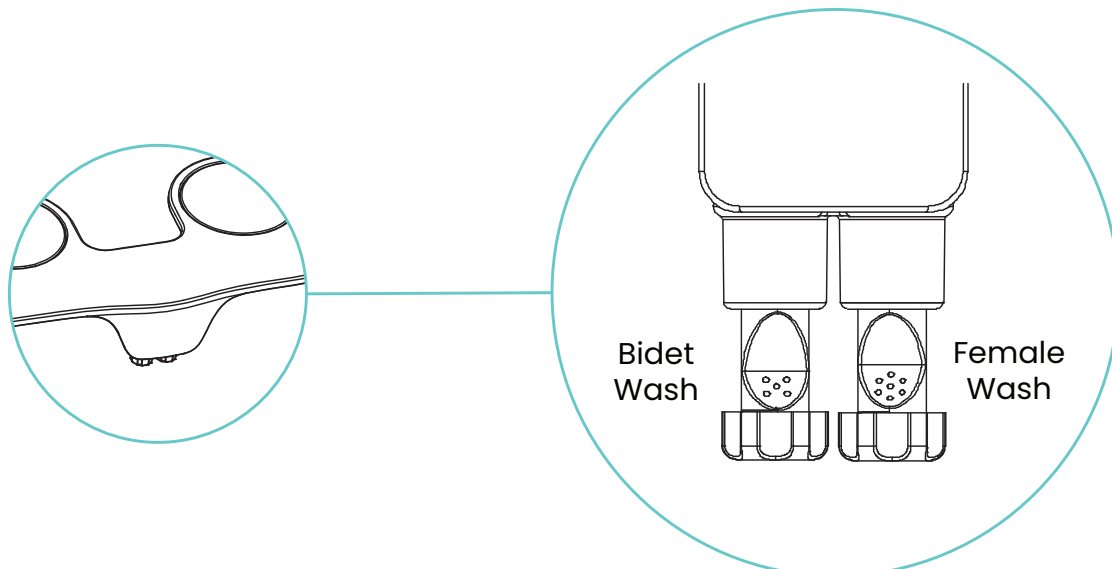
USE

Adjust the function selection and water pressure control knob to find a comfortable pressure. This is a manual bidet system. The on/off functions and water pressure will not adjust automatically. The user must operate features manually using the control knob.



TROUBLESHOOTING

Adjust the function selection and water pressure control knob to find a comfortable pressure. This is a manual bidet system. The on/off functions and water pressure will not adjust automatically. The user must operate features manually using the control knob.



ONE YEAR LIMITED WARRANTY

Swiss Madison® products are made with quality materials and excellent craftsmanship to provide our customers with beautiful, durable, long-lasting products. Should there be any defects in materials or craftsmanship under regular use that are discovered within the first year of installation, Swiss Madison® will provide replacement parts at no charge, or at its discretion, replace any product or part of the product that is deemed defective, under normal installation, use, service or maintenance. This warranty applies only to the original purchaser. Proof of purchase will be required in the instance of a claim.

Swiss Madison® recommends all installations of Swiss Madison® products to be conducted by a licensed, professional plumber or contractor. Swiss Madison® will not be held responsible for any damage or product failure due to improper installation, misuse, or failure to utilize a licensed professional for installation. Swiss Madison® is not responsible for any installation or removal costs.

THIS ONE YEAR LIMITED WARRANTY WILL BE VOIDED IF:

- The installation recommendations were not followed by the installer
- The product has been moved from its initial place of installation
- The product has in any way been modified from its packaged state
- The product has been subjected to improper maintenance, abuse, misuse, excessive use of chemicals, accidents, or other damages, etc.

Swiss Madison® makes no implication that its products comply with any local building or plumbing codes. It is the consumer's responsibility and obligation to determine local code compliance prior to and during installation. This warranty extends only to the original purchaser and first consumer.

Swiss Madison® is not responsible for any special, incidental or consequential damages associated with the installation, replacement, return or use of the original purchaser's product. This includes, but is not limited to: freight costs, labor, travel time, lost profit, home damages and other contingent liabilities and costs (including, without limitation, costs associated with 'professionals' or 'experts', investigations, audits, analyses, attorneys and any other professional/hired services).

The Swiss Madison® warranty is a comprehensive and explicit limit of liability. All items not disclosed within the warranty are not addressable within the responsibility of Swiss Madison®. Certain states have variances regarding implied warranties; in those situations, we remain fully compliant.

QUESTIONS OR CONCERNS?

Please contact us directly at 1-434-MADISON (623-4766)



WARNING:

Contents of your order may contain sharp and possibly other harmful pieces and may cause hazard to children and adults. Swiss Madison® is not responsible in any way for personal damages.