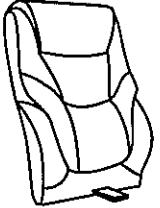





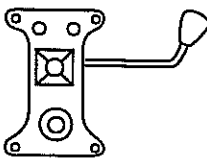
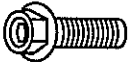


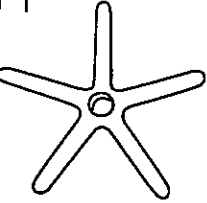



GO-

124H - BK - LEA - GG

(1)*1 	(7)*5 
(2)*1 	(8)*1 
(3)*1(L)*1(R) 	(9)*4 
(4)*1 	(10)*2 
(5)*1 	(11)*6 
(6)*1 	(12)*4 
	(13)*1 