

# CAMBRIDGE 49" CENTER SINK CABINET

# ARIEL

A049S



## BASE CABINET DIMENSIONS

48" W x 21.5" D x 34.5" H

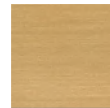
## FEATURES

- Solid wood frame & plywood panels
- Dovetail drawers and joints
- Soft closing doors & drawers

## HARDWARE FINISHES



Satin Nickel

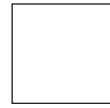


Satin Brass



Satin Black

## AVAILABLE COLORS



White



Grey

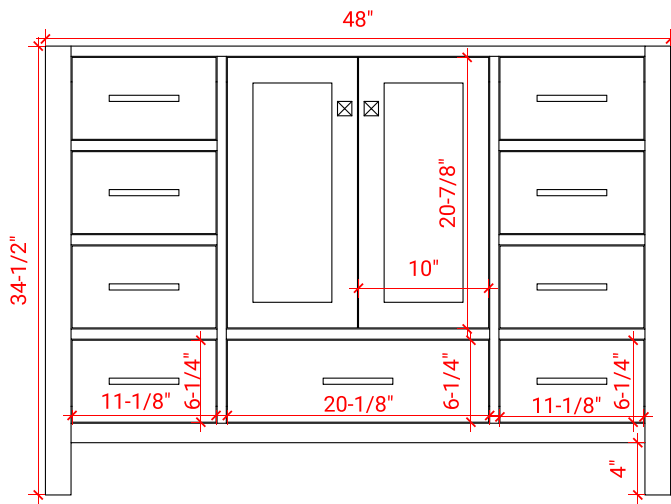


Espresso

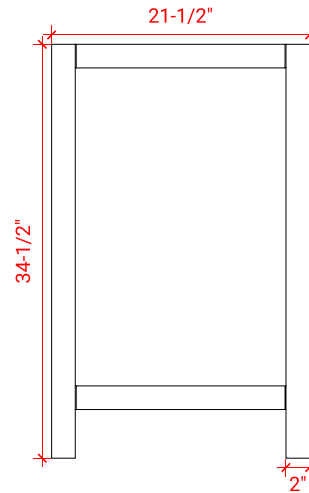


Midnight Blue

FRONT VIEW



SIDE VIEW



PLAN VIEW

