

Simple 60.50A

Features

- Bathroom Sink, With Overflow, Wall Mount or Countertop (Vessel) Installation
- Made of Ceramic
- Available in 3 Finishes: Glossy White, Glossy Black, and Matte Black
- With Overflow
- Wall Mount or Countertop (Vessel) Installation
- Available with One, Three (4" or 8" Spread), or No Faucet Hole
- Available with Soap Dispenser Hole Option to the Left or Right of Faucet Hole
- Made in Italy



Related Items:

- WSBC 53991 | Push Waste Drain
- WSBC 53922 | Decorative Trap

Finishes:

-  Glossy White
-  Glossy Black
-  Matte Black

SKU# | Options:


- Simple 60.50A.00 WG | No Faucet Hole, Glossy White
- Simple 60.50A.01 WG | Single Faucet Hole, Glossy White
- Simple 60.50A.03-4 WG | Three Faucet Holes 4" Spread, Glossy White
- Simple 60.50A.03-8 WG | Three Faucet Holes 8" Spread, Glossy White
- Simple 60.50A.00 BG | No Faucet Hole, Glossy Black
- Simple 60.50A.01 BG | Single Faucet Hole, Glossy Black
- Simple 60.50A.03-4 BG | Three Faucet Holes 4" Spread, Glossy Black
- Simple 60.50A.03-8 BG | Three Faucet Holes 8" Spread, Glossy Black
- Simple 60.50A.00 BM | No Faucet Hole, Matte Black
- Simple 60.50A.01 BM | Single Faucet Hole, Matte Black
- Simple 60.50A.03-4 BM | Three Faucet Holes 4" Spread, Matte Black
- Simple 60.50A.03-8 BM | Three Faucet Holes 8" Spread, Matte Black
- Simple 60.50A.02L | Soap Dispenser Hole (Left)
- Simple 60.50A.02R | Soap Dispenser Hole (Right)

“.nn” refers to the number of faucets holes

Codes & Standards:

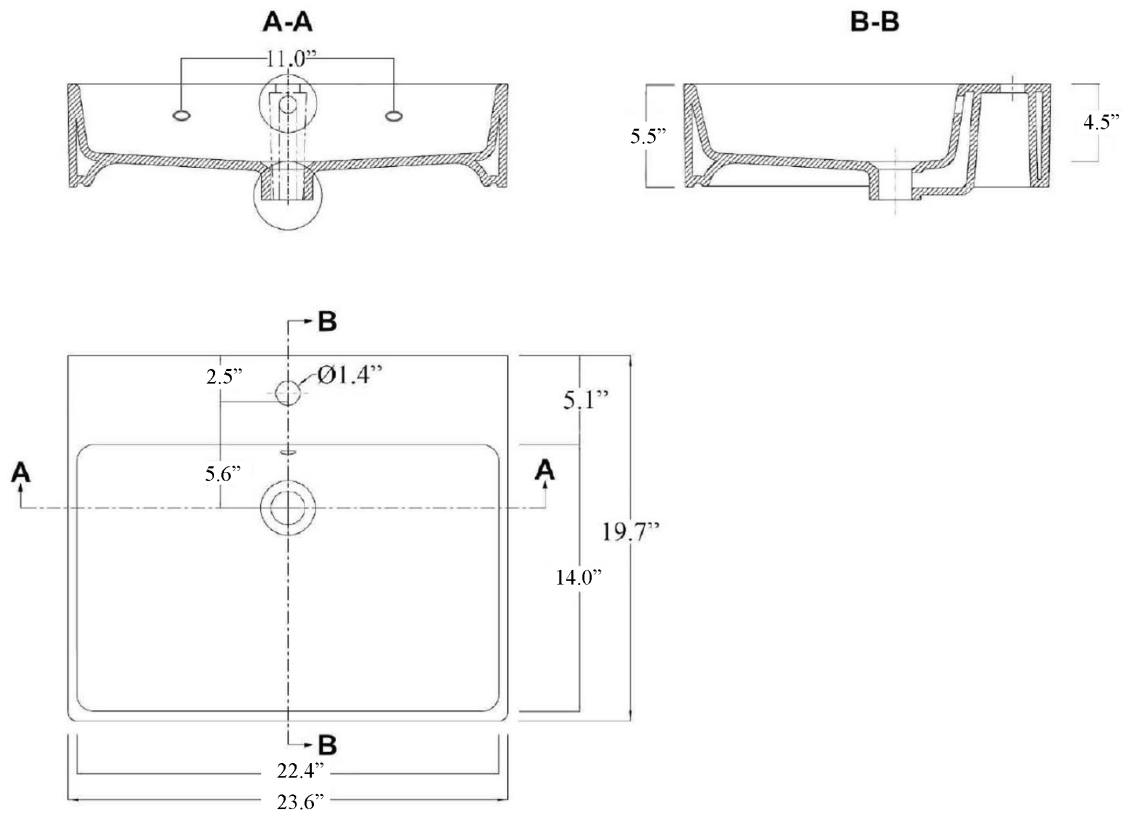
- ADA Compliant

* WS Bath Collections reserves the right to revise dimensions or information on this sheet without notice

Collection Simple	Model Simple 60.50A	Dimensions Metric <i>1 inch = 2.54 cm</i> <i>1 inch = 25.4 mm</i>	 1051 Lea Drive - Collegeville, PA 19426 Tel. 215 513 9400 - Fax 610 831 0215 www.ws bathcollections.com - info@ws bathcollectins.com
-------------------------------	---------------------------------	-------------------------------------------------------------------------	-------------------------------------------------------------------------------------------------------------------------------------------------------------------------------------------------------------------------------------------------------------------------------------------------------------------------------------

Simple 60.50A

Weight: 46 lbs



Collection
Simple

Model |
Simple 60.50A

Dimensions Metric

1 inch = 2.54 cm
1 inch = 25.4 mm

WS[®]
BATH
COLLECTIONS

1051 Lea Drive - Collegeville, PA 19426
Tel. 215 513 9400 - Fax 610 831 0215
www.ws bathcollections.com - info@ws bathcollections.com

We recommend the following items that work with your sink.

Simple 60.50A

TRAPS



WSBC 53922
Our best seller

Polished Chrome
WSBC 53922.29

Matte Black
WSBC 53922.22



WSBC 5392

Polished Chrome
WSBC 5392.29



WSBC 53925

Polished Chrome
WSBC 53925.29



WSBC 53921
Space saving

Polished Chrome
WSBC 53921.29

Matte Black
WSBC 53921.22

DRAINS



WSBC 53991
Push waste drain (click clack)
with overflow

Polished Chrome
WSBC 53991.29

Matte Black
WSBC 53991.22

MOUNTING HARDWARE

Wall-mount installation

Vessel/ countertop installation



Bolts



Silicone (*optional*)

Collection
Simple

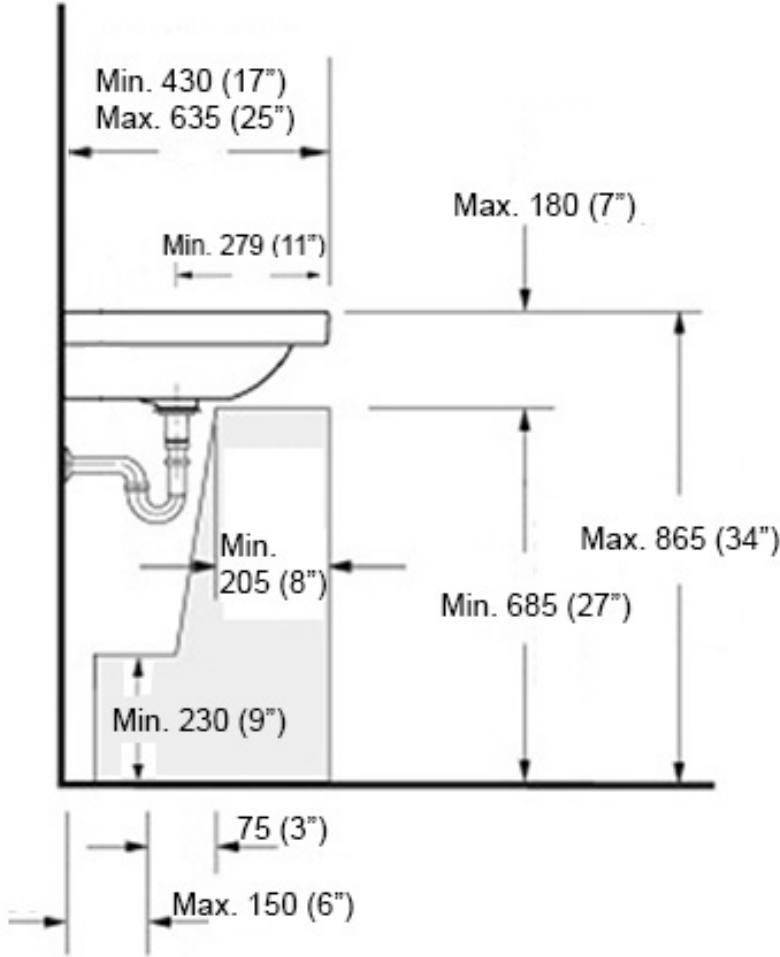
Model |
Simple 60.50A

Dimensions Metric
1 inch = 2.54 cm
1 inch = 25.4 mm

WS[®]
BATH
COLLECTIONS

1051 Lea Drive - Collegeville, PA 19426
Tel. 215 513 9400 - Fax 610 831 0215
www.ws bathcollections.com - info@ws bathcollections.com

Recommended ADA Installation



Note: ADA Compliant when installed in accordance with ADA guidelines

<p>Collection Simple</p>	<p>Model Simple 60.50A</p>	<p>Dimensions Metric 1 inch = 2.54 cm 1 inch = 25.4 mm</p>	<p>WS[®] BATH COLLECTIONS 1051 Lea Drive - Collegeville, PA 19426 Tel. 215 513 9400 - Fax 610 831 0215 www.ws bathcollections.com - info@ws bathcollectins.com</p>
-------------------------------------	-----------------------------------------	--------------------------------------------------------------------	----------------------------------------------------------------------------------------------------------------------------------------------------------------------------------------------------------------------------------------------------------------------------------------------------------------------