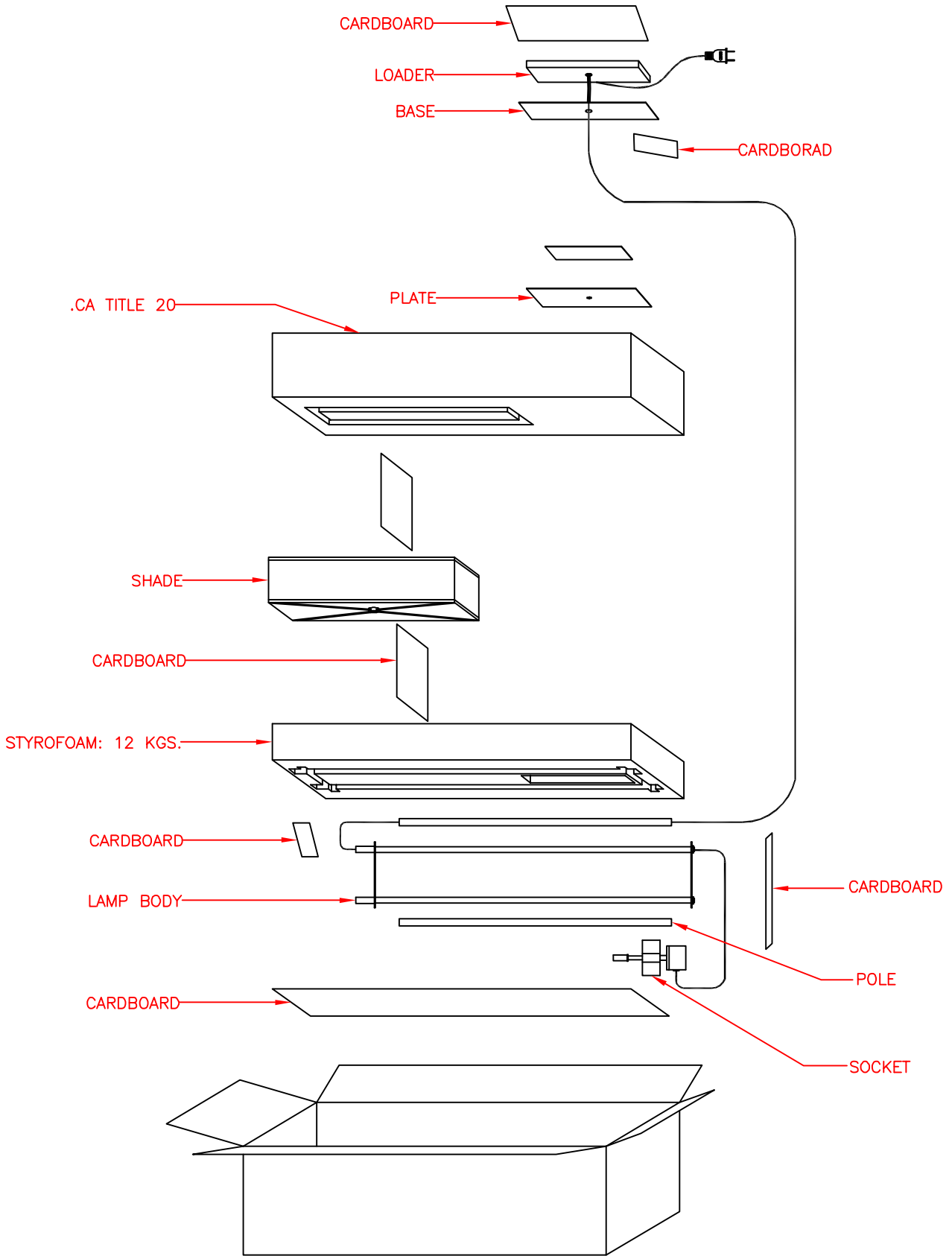
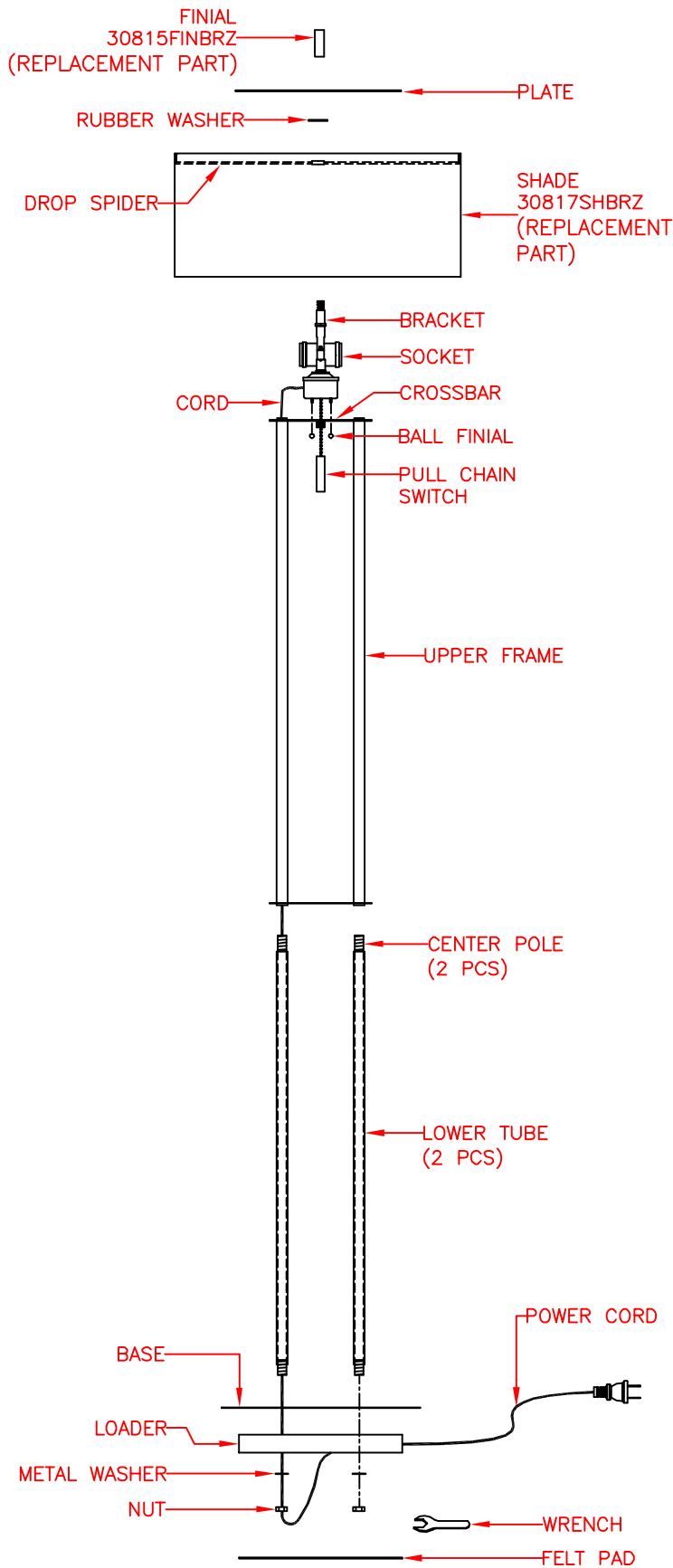


MODEL: 30817

PACKING DIAGRAM





AVAILABLE PARTS ARE:  
 30817SHBRZ (SHADE)  
 30815FINBRZ (FINIAL)

# ASSEMBLY INSTRUCTIONS

## READ AND SAVE THESE INSTRUCTIONS

READ INSTRUCTIONS ALL THE WAY THROUGH PRIOR TO ASSEMBLY.

THIS LAMP SHOULD TAKE APPROXIMATELY 15 MINUTES TO ASSEMBLE.

MAKE SURE ALL PARTS ARE FIRMLY TIGHTENED.

### UNPACK THE LAMP

TO PROTECT THE FINISH, PLACE ALL PARTS ON A SOFT SURFACE. YOU SHOULD HAVE RECEIVED THE FOLLOWING: FINIAL, PLATE, RUBBER WASHER, SHADE, SOCKET ASSEMBLY, (2) BALL FINIALS, UPPER FRAME, (2) CENTER POLES, (2) LOWER TUBES, BASE, LOADER, (2) METAL WASHER, (2) NUTS, WRENCH AND FELT PAD.

### ASSEMBLE THE LAMP

1. CAREFULLY UNPACK AND PLACE ALL PARTS ON A SMOOTH, FLAT SURFACE, LINE UP ALL OF THE PARTS ACCORDING TO THE ASSEMBLY DIAGRAM.
2. ATTACH SOCKET ASSEMBLY TO CROSSBAR AND SECURE WITH (2) BALL FINIALS.
3. SCREW (2) CENTER POLES TO BOTTOM OF UPPER FRAME.
4. SLIDE (2) LOWER TUBES OVER THE (2) CENTER POLES.
5. SLIDE BASE AND LOADER OVER THE (2) CENTER POLES, THEN SECURE WITH (2) METAL WASHERS AND (2) NUTS (WRENCH INCLUDED). (MAKE SURE TO STRAIGHTEN TUBES BEFORE TIGHTENING ALL THE WAY.)
6. PEEL PAPER BACKING FROM FELT PAD AND APPLY TO BOTTOM OF THE LOADER.
7. PLACE SHADE, RUBBER WASHER AND PLATE ONTO BRACKET, THEN SECURE WITH FINIAL.
8. INSTALL A MEDIUM BASE 60 WATT MAX. TYPE "A" BULB (NOT INCLUDED) INTO EACH SOCKET.
9. PLUG THE POWER CORD INTO AN OUTLET AND TURN ON BY PULLING PULL CHAIN.

### BULB REPLACEMENT

1. BEFORE REPLACING THE BULB, BE SURE THAT THE SHADE AND BULB ARE COOL AND LAMP IS UNPLUGGED.
2. UNSCREW EXISTING BULB FROM SOCKET AND REPLACE WITH A NEW BULB. PLUG POWER SUPPLY CORD BACK INTO OUTLET.

### TROUBLE SHOOTING

1. IF YOUR LAMP DOES NOT LIGHT, CHECK PLUG AT THE OUTLET. MAKE SURE THE PLUG IS FULLY AND PROPERLY INSERTED INTO THE POWER OUTLET.
2. IF LAMP STILL DOES NOT LIGHT, UNPLUG FROM OUTLET. CHECK THE BULB FOR A BROKEN FILAMENT. REPLACE BULB IF NECESSARY, PLUG IN LAMP AND TURN IT ON.
3. IF THE LAMP STILL DOES NOT LIGHT, PLEASE CONTACT YOUR DISTRIBUTOR OR PLACE OF PURCHASE.

### IMPORTANT SAFETY INSTRUCTIONS

THIS PORTABLE LAMP HAS A POLARIZED PLUG (ONE BLADE IS WIDER THAN THE OTHER) AS A FEATURE TO REDUCE THE RISK OF ELECTRIC SHOCK. THIS PLUG WILL FIT IN A POLARIZED OUTLET ONLY ONE WAY. IF THE PLUG DOES NOT FIT FULLY IN THE OUTLET, REVERSE THE PLUG. IF IT STILL DOES NOT FIT, CONTACT A QUALIFIED ELECTRICIAN. NEVER USE WITH AN EXTENSION CORD UNLESS PLUG CAN BE FULLY INSERTED. DO NOT ALTER THE PLUG.