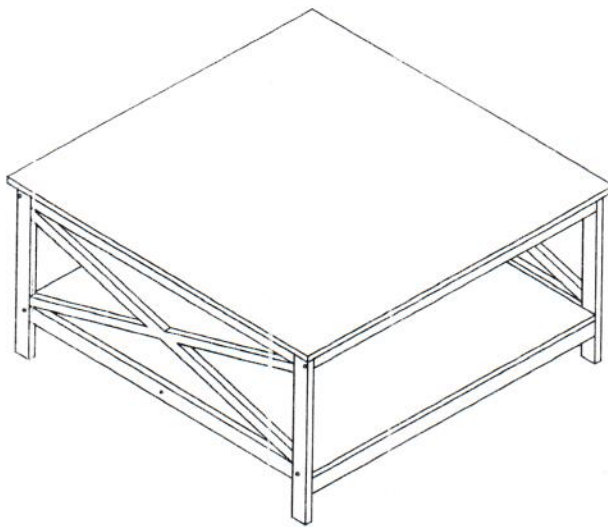


CONVENIENCE CONCEPTS

203363W/203363BL
Oxford Square 36" Coffee Table



Assembly Instructions

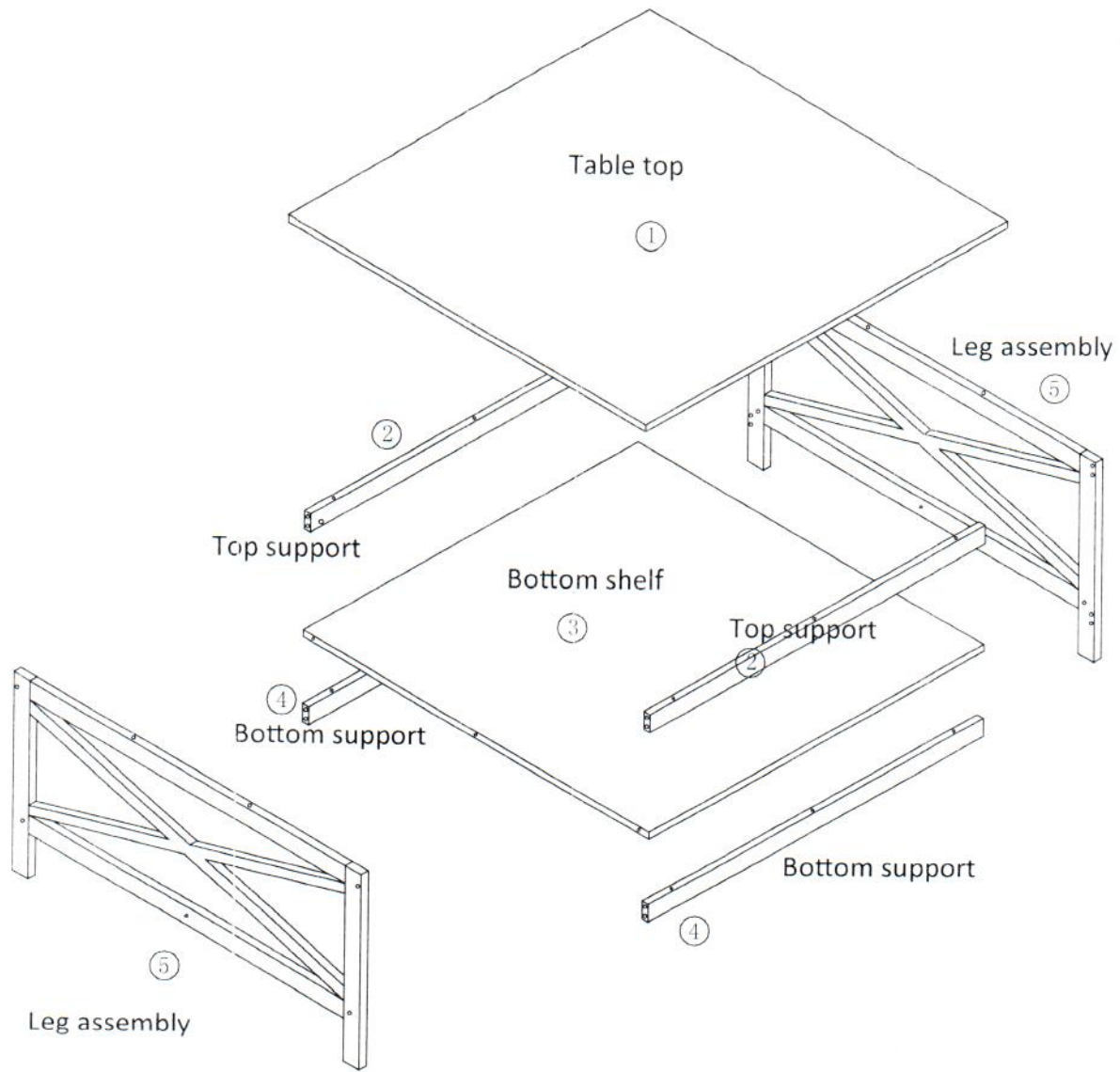
We have designed our furniture with you, the customer in mind. Our clear, easy to follow step by step instructions will guide you through the project from start to finish.

Feel confident that this will be a fun and rewarding project. The final product will be a quality piece of furniture that will go together smoothly and give years of enjoyment.



Please do not return to the store
· Broken or missing Hardware?
· Need help with Assembly?

If you have any questions just call 1-800-468-6447 or email us at
parts@convenience-concepts.com



A x10

Bolt



B x10

Lock nut



C x16

Dowel



D x12

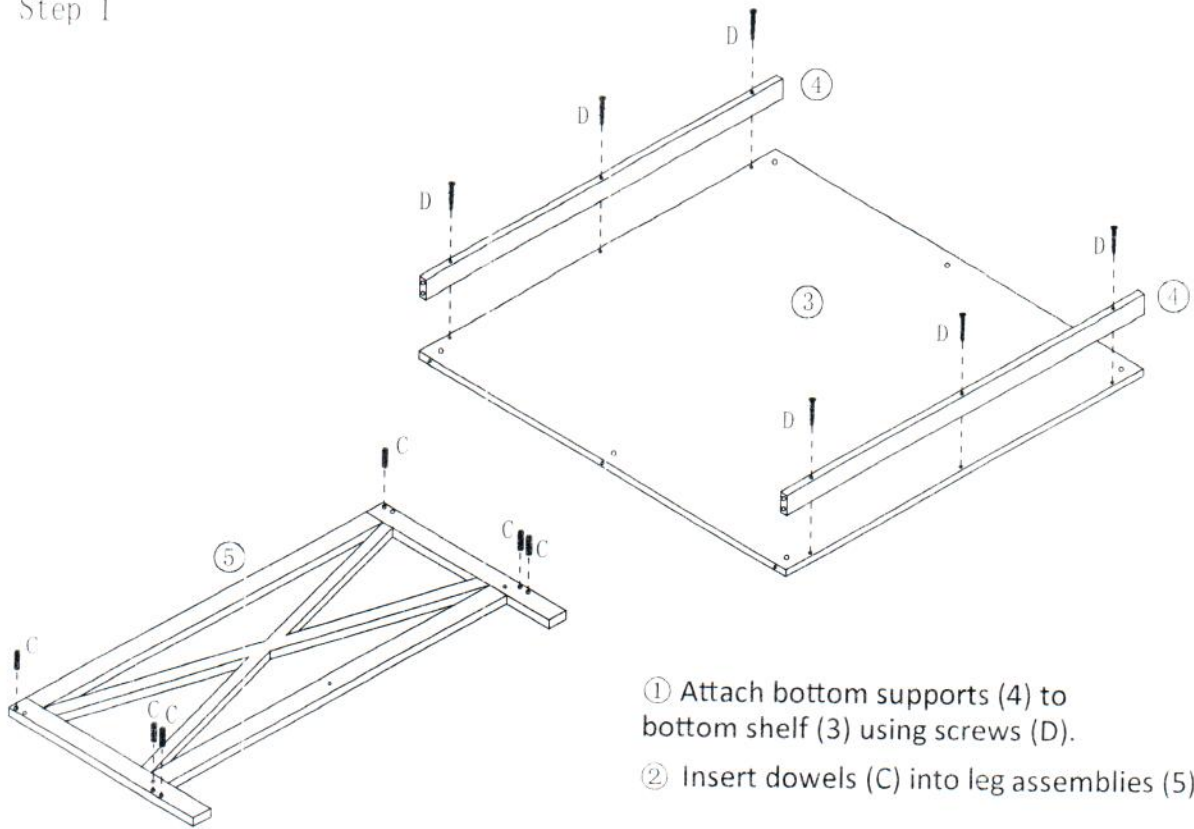
Screw



E x10

Stickers

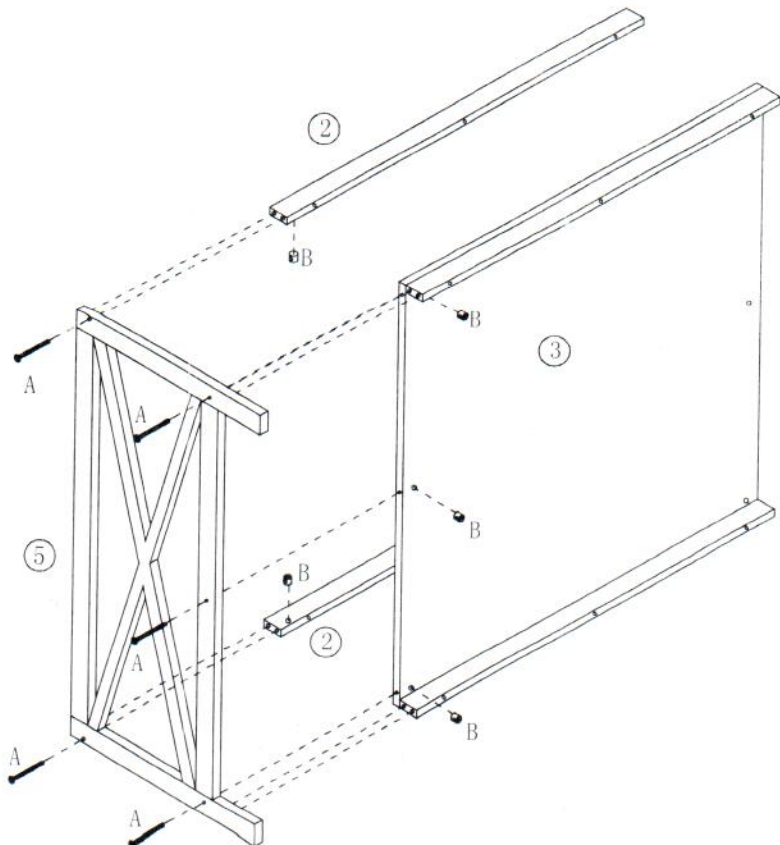
Step 1



- ① Attach bottom supports (4) to bottom shelf (3) using screws (D).
- ② Insert dowels (C) into leg assemblies (5).

Step 2

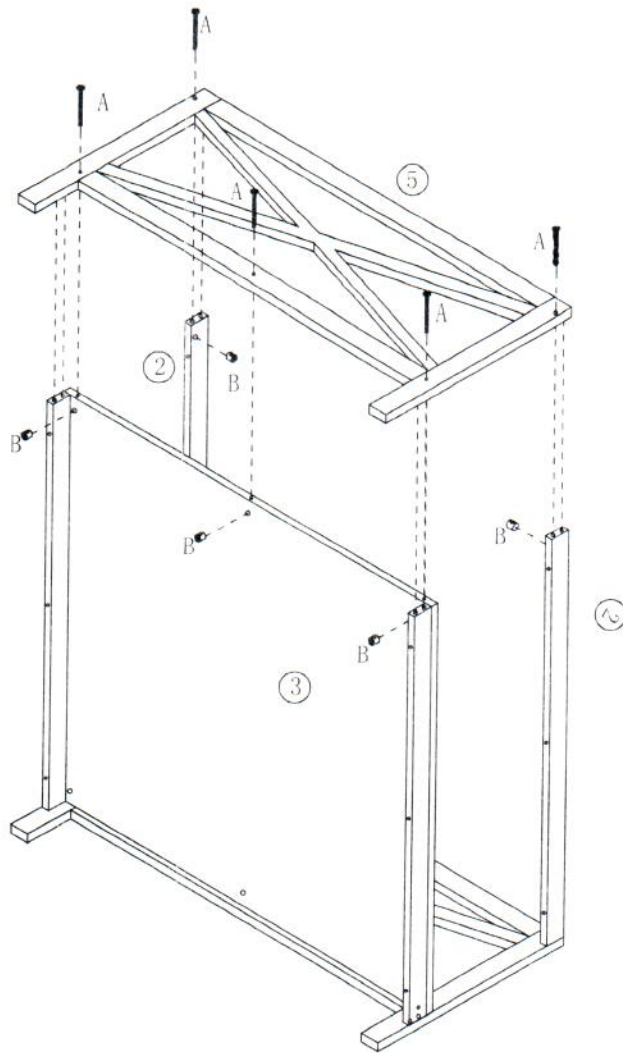
- ① Attach leg assembly (5) to bottom shelf and top supports (2) using bolts (A) and lock nuts (B).



NOTE: Make sure the threaded hole of lock nut (B) faces hole in supports to allow bolt entry.

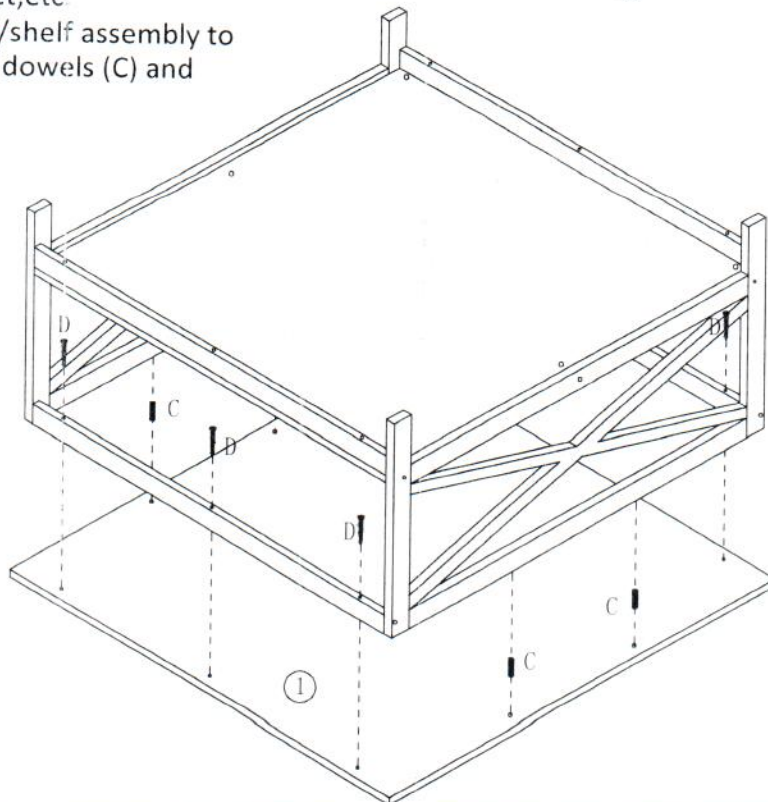
Step 3

- ① Repeat step 2 for remaining leg assembly (5).

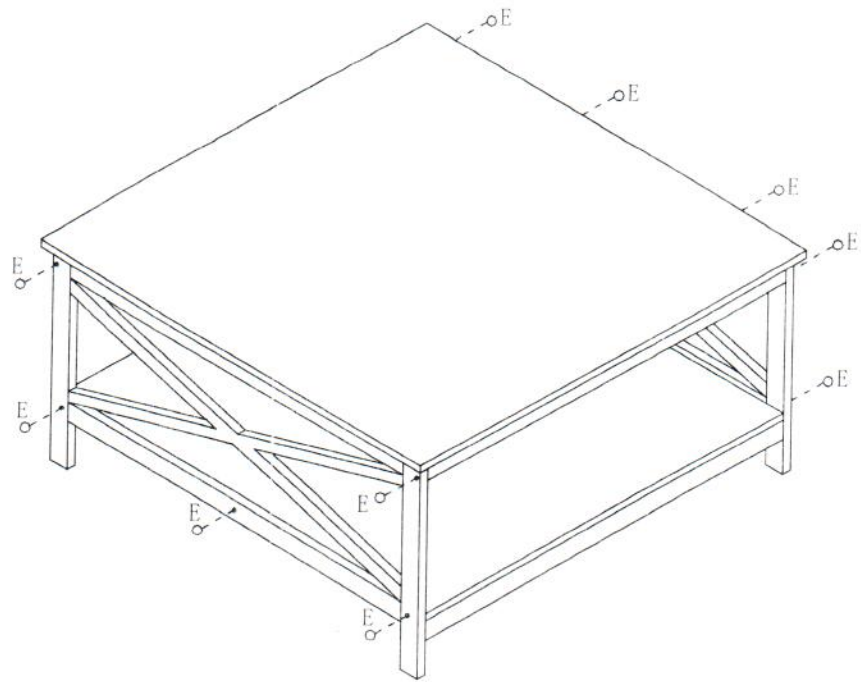


Step 4

- ① Place top (1) on soft surface such as carpet, etc.
② Attach leg/shelf assembly to top (1) using dowels (C) and screws (D).



Step 5



① Place stickers (E) over bolt holes and enjoy.