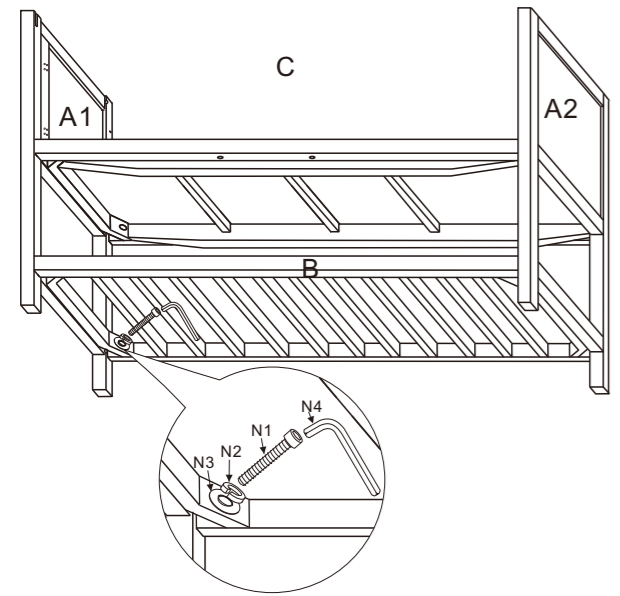


Step 1

Parts Required: Panel A1, Panel A2, Panel B, Panel C
 N1(8PCS), N2(8PCS), N3(8PCS)

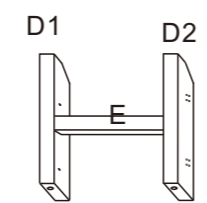
- Lay panel A1 & A2 down with the Front sticker facing up
- Attach panel B&C to A1& A2 according to diagram
- Hand fasten bolts, do not tighten



Step 2

Parts Required: Panel E, Panel D1, Panel D2,

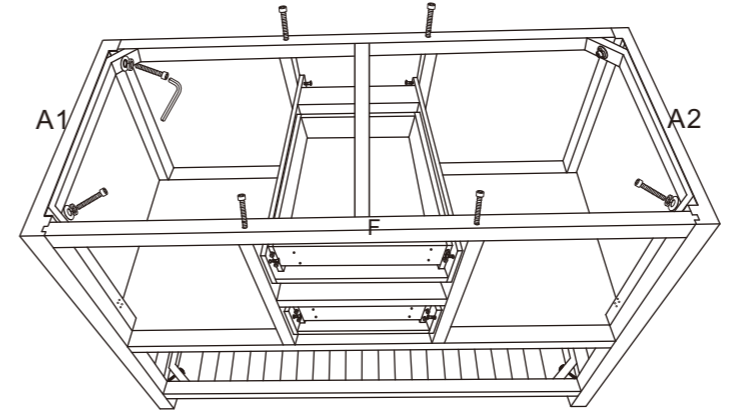
- Attach panel E, D1, D2 according to diagram



Step 5

Parts Required: Panel F,
 N1 (8pcs), N2 (4pcs), N3 (4pcs)

- Place panel F as shown on diagram. Watch for "Front" and "UP" indicators for proper placement
- Hand fasten the side bolts, starting with both sides. Do not tighten

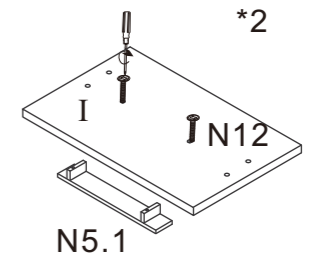


- Notice that tightening the bolts will adjust the positioning of panel F. Work all 4 corners until the panel sits straight
- Once Panel F is adjusted correctly, tighten the other N1 bolts underneath the cabinet. Adjust carefully and do not overtighten

Step 6

Parts Required: Panel I (2pcs),
 N5.1 (2pcs), N12 (4pcs)

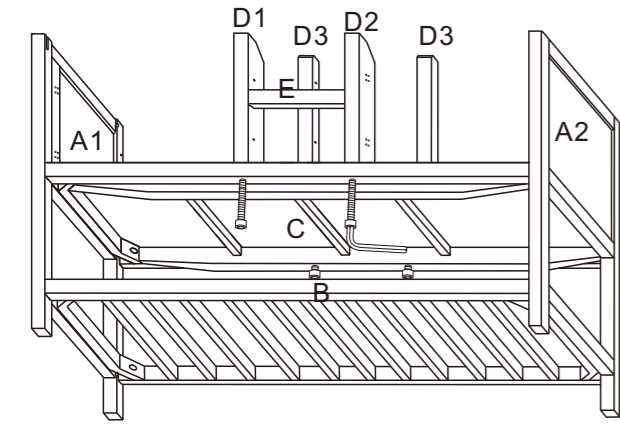
- Attach N5.1 to panel I using N12 (2 per handle). Tighten



Step 3

Parts Required: Panel D3 (2pcs),
 N1(4PCS)

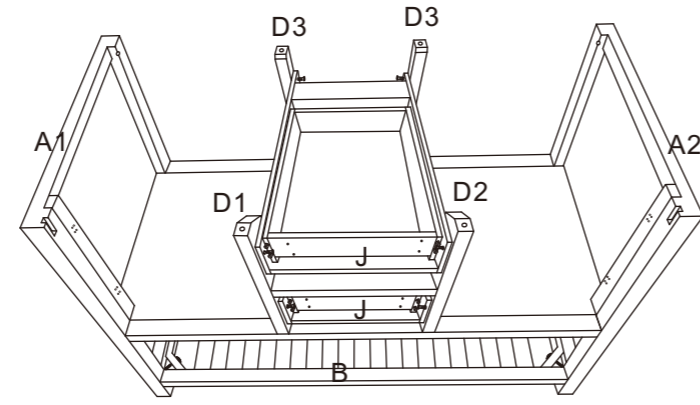
- Attach panel D1, D2, D3, E according to diagram
- Hand fasten bolts, do not tighten



Step 4

Parts Required: Panel J (2pcs)
 N8 (8pcs)

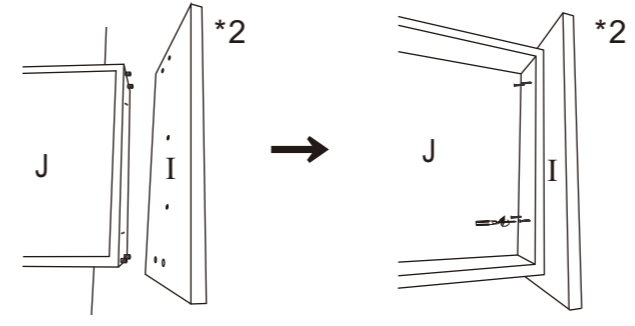
- Stand up the cabinet, attach panel J according to diagram. Watch for "Front" indicators for proper placement
- Secure with N8 bolts. Do not overtighten



Step 7

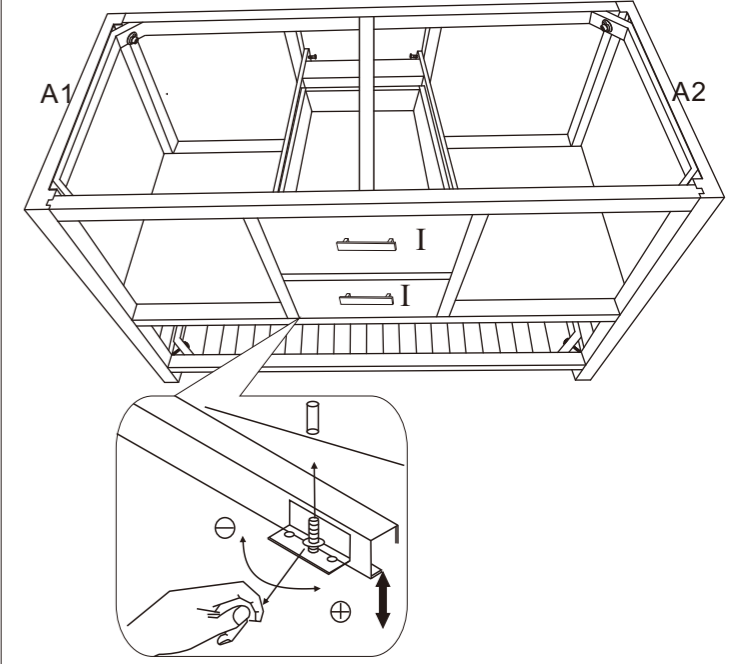
Parts Required: N9 (8pcs)

- Attach Panel I to Panel J, Watch for "UP" indicator
- Secure with N9



Step 8

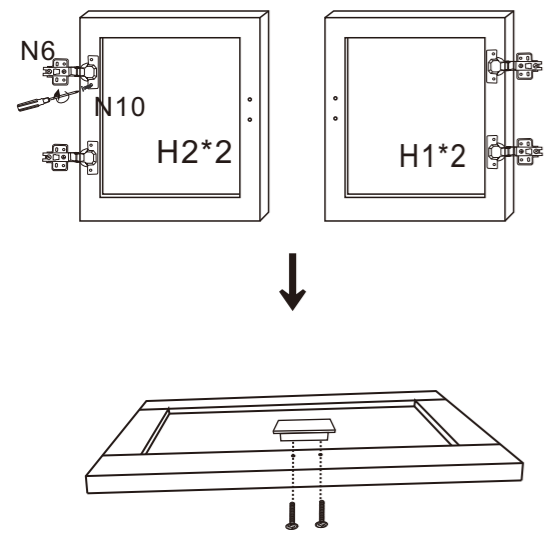
- If any of the drawers are not sitting correctly, they can be adjusted by either repositioning the drawer glides or adjusting the height adjustment poles as shown in the diagram



Step 9

Parts Required: Panel H1 ,Panel H2 , N5.2 (4pcs), N6 (8pcs), N11 (8pcs), N10 (16pcs)

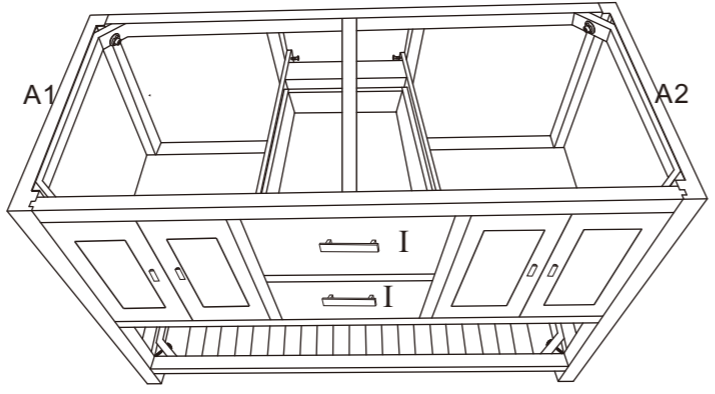
- Attach N6 hinges to doors as shown in diagram. 2 N10 screws per hinge
- Attach N5.2 handles to doors using N11 bolts



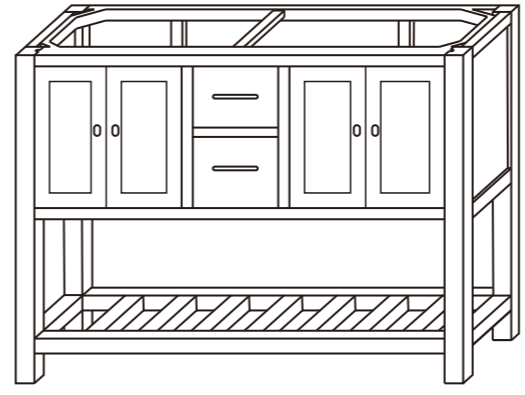
Step 10

Parts Required: N10 (8pcs)

- Locate the indentations in the cabinet where the hinges should attach to. Use these indentations to drill and secure the door hinges by the large holes found on the hinges using N10 screws (1 N10 per hinge)
- Do not overtighten the screws to allow adjustments found on the next step



Assembly Instructions



DEC055-72-CB

Some important notes before beginning assembly:

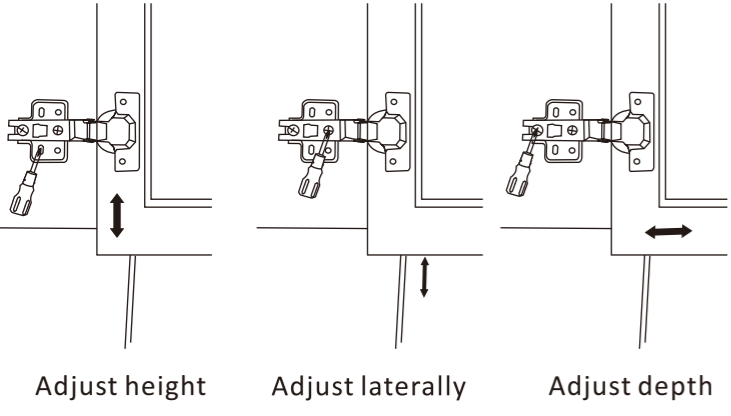
- Count all parts and hardware to make sure that there are no pieces missing. If there are pieces missing or damaged, please email cs@designelementusa.com, or call 888-487-4488 to request the part to be sent to you.
- If a power drill or screwdriver is used, set the tool on low power setting. Reclaimed woods are generally a bit delicate, and using a power tool with too much power or speed may damage the wood.
- When assembling the cabinet, do not tighten the bolts until all cabinet pieces are put together. Keeping the bolts loose will greatly help with adjustments and preventing damage. Tighten the bolts after every piece is in place.
- Each cabinet panel will have a sticker to indicate which side is the front. Follow these stickers to make sure the pieces are not assembled backwards.



Step 11

Parts Required: N10 (24pcs)

- The doors can be adjusted left/right or in/out by adjusting the screw on each hinge as shown on the diagram
- Once adjustments are done, use N10 screws (3 per hinge) to properly secure the hinges to the cabinet. Tighten all screws



Hardware List

| | | | |
|------|----------------------|-------|--|
| N | Screwdriver | 1pc | |
| N1 | Long Bolt | 20pcs | |
| N2 | Tension Washer | 12pcs | |
| N3 | Washer | 12pcs | |
| N4 | Allen Wrench | 1pc | |
| N5.1 | Drawer Pull | 2pcs | |
| N5.2 | Door Pull | 4pcs | |
| N6 | Door Hinge | 8pcs | |
| N8 | Short Bolt | 8pcs | |
| N9 | Long Wood Screw | 8pcs | |
| N10 | Short Wood Screw | 48pcs | |
| N11 | Long Hardware Screw | 8pcs | |
| N12 | Short Hardware Screw | 4pcs | |

Parts List

