
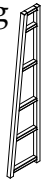
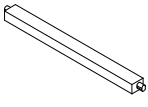
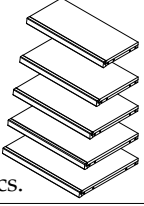
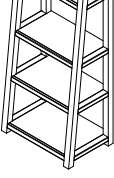
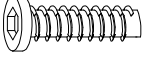





Components and Hardware List

<p>Left Leg Frame</p>  <p>(A) 1 pc.</p>	<p>Right Leg Frame</p>  <p>(B) 1 pc.</p>	<p>Stretcher</p>  <p>(C) 2 pcs.</p>	<p>Shelf</p>  <p>(D) 5 pcs.</p>	 <p>28038 / 28138 / 28238</p>	
<p>$\frac{1}{4}$" 38mm Allen Head Bolt</p>  <p>(E) 20 pcs.</p>	<p>$\frac{1}{4}$" Spring Washer</p>  <p>(F) 20 pcs.</p>	<p>$\frac{1}{4}$" x 16 x 2mm Flat Washer</p>  <p>(G) 20 pcs.</p>	<p>4 mm Allen Key</p>  <p>(H) 1 pc.</p>		

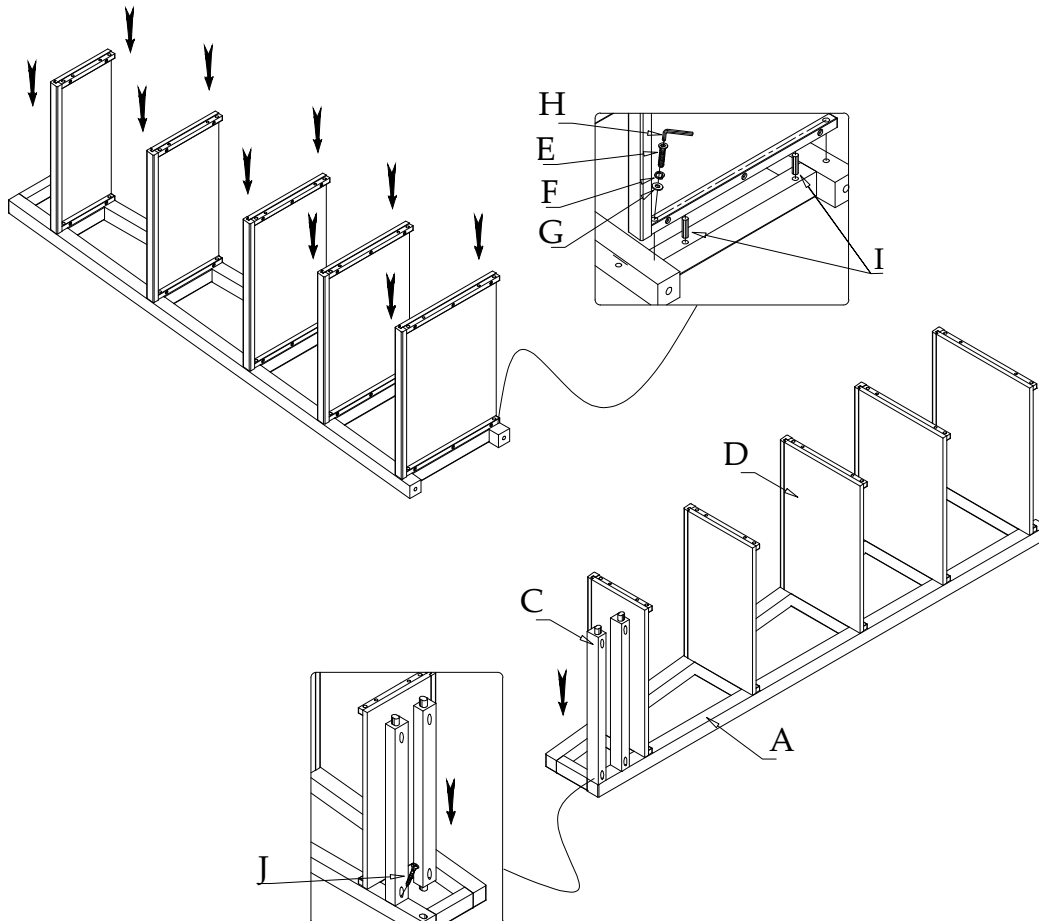
Be sure to check all packing material carefully for small parts, which may have come loose inside the carton during shipment.

Step 1: Lay the Leg Frame (A or B) on a carpeted or scratch-free work surface.

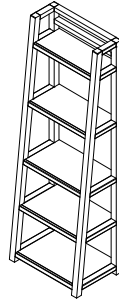
Step 2: Attach the Wood Dowels (I) to pre-drilled holes on the Leg Frame (A or B), attach the proper width of Shelf (C) to the correct location of the Legs Frame (A or B) by aligning the pre-drilled holes on the Shelf (C) with the Wood Dowel of Leg Frame (A or B).

Step 3: Secure the Shelf (C) by using 40mm long Allen Head Bolt (E), Spring Washer (F) and Flat washer (G), tighten with the 5mm Allen Key (H) as shown.

Step 4: Attach the Stretcher (D) to Leg Frame (A or B) by aligning hole on the Leg Frame (A or B).



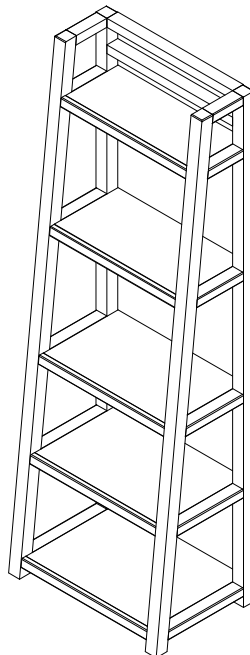
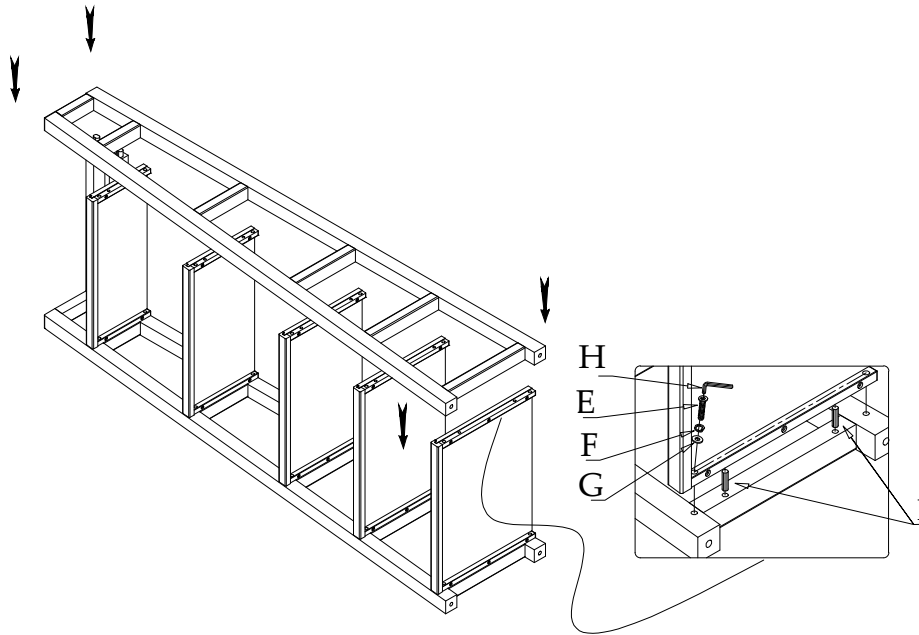
Components and Hardware List



28038 / 28138 / 28238

Step 5: Repeat the Steps 1-4 to the other side. Tighten all Bolts.

Step 6: Bring the Bookcase to its upright position.



Components and Hardware List

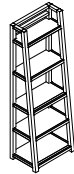
Wall Desk



(A)

1 pc.

Bookcase



(B)

2 pcs.

Screw



(C)

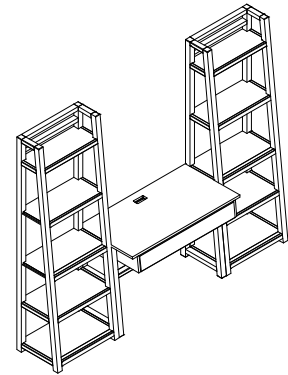
8 pcs.

Mounting Plates



(D)

4 pcs.



Step1: Place the Bookcase (B) alongside to the Wall Desk (A), make sure the three units are properly aligned

Step2: Secure Bookcases to Wall Desk using the Mending Plates which are pre-assembled at back of the Bookcase. Place the Mending Plates over the pre-drilled holes located in the rear of the Bookcase and Wall Desk.

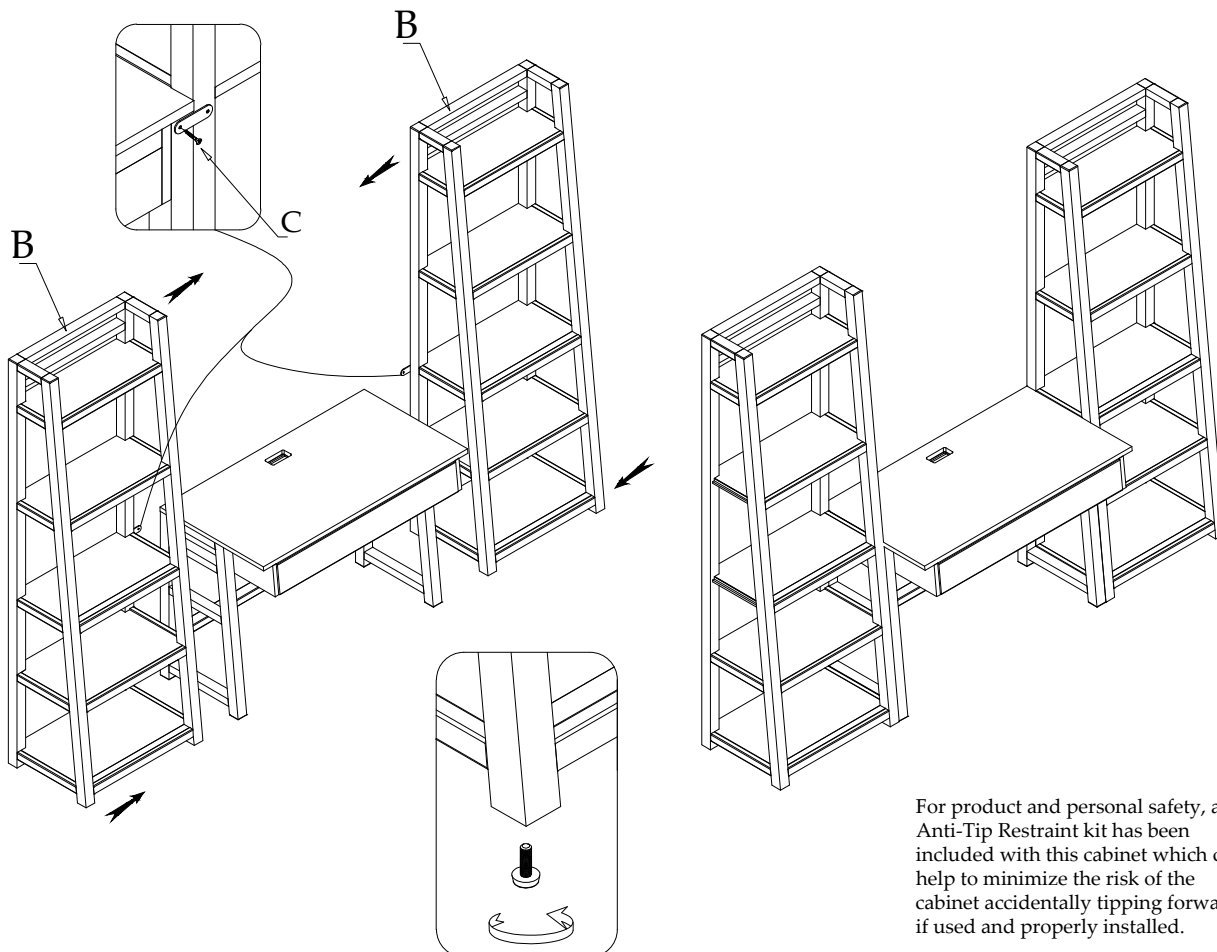
Secure by using Screw (C). Tighten with your Phillips Head Screwdriver, as seen in the illustration below.

28032 / 28132 / 28232
28038 / 28138 / 28238

There are levelers underneath the Desk and Bookcase which can be adjusted to compensate for uneven flooring. If the furniture wobbles, determine which corner does not touch the floor correctly. With two people follow these steps:

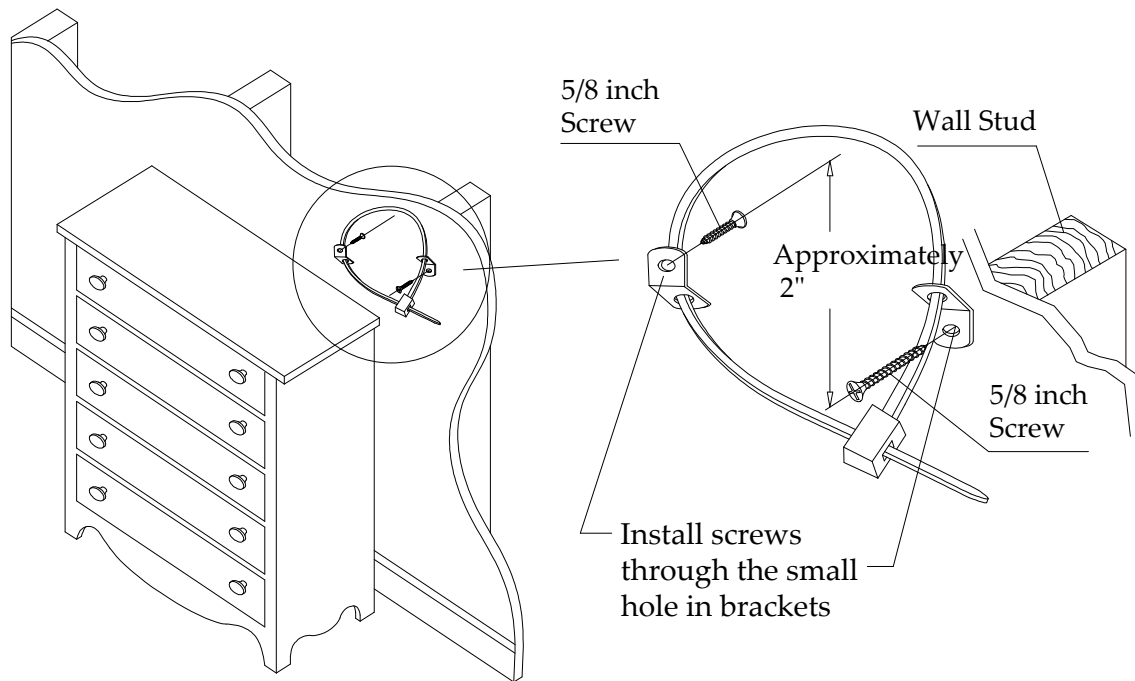
1. Carefully elevate the item slightly to provide access to the levelers attached to the bottom.
2. Turn the levelers until adequate contact will be made with the floor. Gently set down the piece and check stability.

Repeat steps until furniture sits firmly on the floor.



For product and personal safety, an Anti-Tip Restraint kit has been included with this cabinet which can help to minimize the risk of the cabinet accidentally tipping forward, if used and properly installed.

Notice: Riverside Furniture Corp. recommends that steps be taken for certain furniture items to prevent or minimize the risk of tip-over. This furniture is equipped with Tip-over Restraint Hardware for use to minimize this risk, if used. Please follow below installation steps. Riverside Furniture Corp. recommends that parents and guardians periodically visit the U.S. Consumer Product Safety Commission (CPSC) website at <http://www.cpsc.gov/> and stay up to date on all issues related to children's product safety.



1. Temporarily locate the furniture to near it's final location in the room next to a wall. Locate a wall stud behind your furniture and also mark the stud's location on the back of your furniture.
2. Firmly attach one bracket to the stud approximately 2" below the top of the furniture with the **2 inch long** Wood Screws provided. It may be necessary to drill 3/32 dia. pilot holes for the screws.
3. Firmly attach the other bracket onto a solid, structural part on the back of the furniture using the **5/8 inch long** Wood Screws. It may also be necessary to pilot bore for these screws.
4. Move the furniture into its final position, taking care to line up the wall bracket with the furniture bracket. Thread a strap through the bracket as shown in the illustration. Tighten strap until snug but do not over tighten.

Caution: Riverside Furniture Corp. assumes no liability for improper installation or excessive loads placed on screws, brackets or straps. Failure to detach this restraint before moving furniture may result in personal injury and property damage.

Warning: This tip-over restraint is not to be a substitute for proper adult supervision. Do not allow children to climb on furniture. Items left on top of the TV and furniture, such as toys, remote controls and treats might tempt young children to climb. Push the TV as far back as possible from the front of its stand. Place electrical cords out of a child's reach, and teach children not to play with the cords.