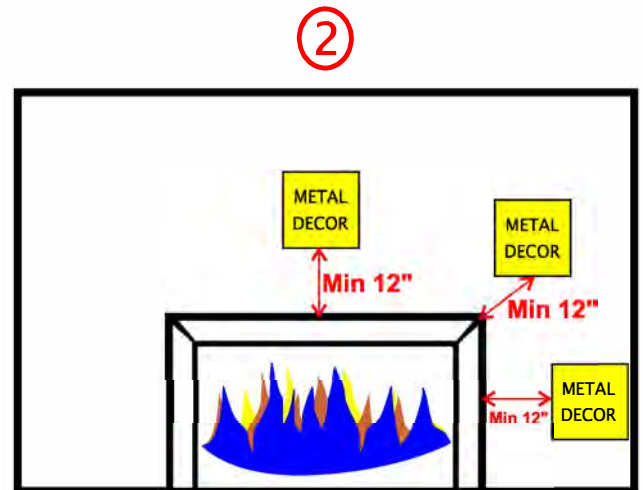
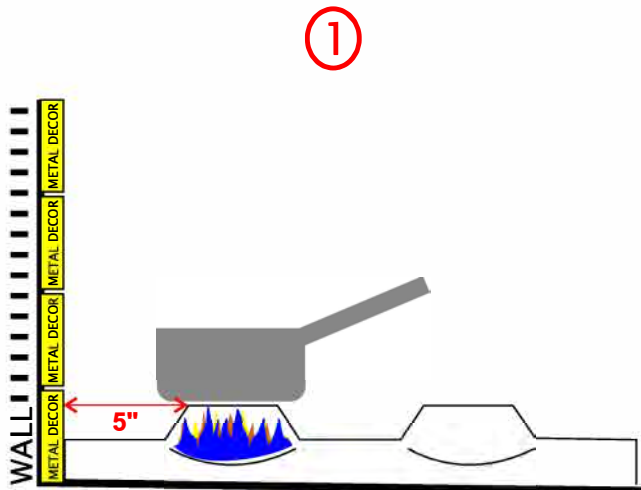


INSTALLATION INSTRUCTIONS

- Inspect your product before installation, complete dry layout.
- Install using a Polymer based adhesive (ANSI A118.6 Liquid latex/polymer reinforced high quality Portland cement) for grout, ANSI 118.3 water cleanable epoxy grout etc.).
- Follow adhesive manufacturer's instructions for preparation, application and clean up.
- It is recommended to cover the tiles upper surface with painters tape prior to grouting for easier clean up.
- Residue should be removed immediately after grouting.
- If tile requires cutting, apply protective varnish to the cut side. Wait 24 hours to allow curing prior to installing and grouting the application.
- The best way to cut of tiles is with a diamond abrasive wet-saw.
- A high-speed drill or a hole saw can be used to drill the tiles.
- Please do not use tile cutters made for marking and breaking tiles.
- Please pay attention that there is minimum 5" inches distance between tiled surfaces and heat if there is no Back-Guard/Back-mount panel behind your cook-tops. ①
- Please pay attention that there is minimum 6" inches distance between tiled surfaces and the fireplace opening. Please keep a minimum 12" distance above the fireplace opening, if used above and projecting more than 1½" from a fireplace face. Please take your state advice on clearance if your area needs more. ②



APPLICATIONS

- Liners and chair rail are recommended for use in residential/light commercial, interior wall applications.
- Products are not recommended for use on countertops.
- Products can be installed and used in wet areas such as backsplashes, bathroom walls and shower.
- Products are not recommended in areas where temperatures rise above 212 °F.
- Products should be installed a minimum of 12" from direct flames. ②

CARE AND MAINTENANCE

- Clean regularly with clear water and/or neutral (soapless) cleaner, soft soap wipe dry with soft cloth (do not use non abrasive cleaner).
- Do not use sandpaper, steel wool, scouring pads or any other abrasive materials.

SIGNS FOR COLLECTION



Wall Tile



Decorative Tile



Trim Available



Appearance



Abrasion Resistance