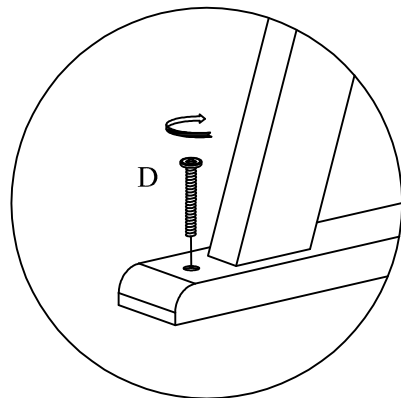
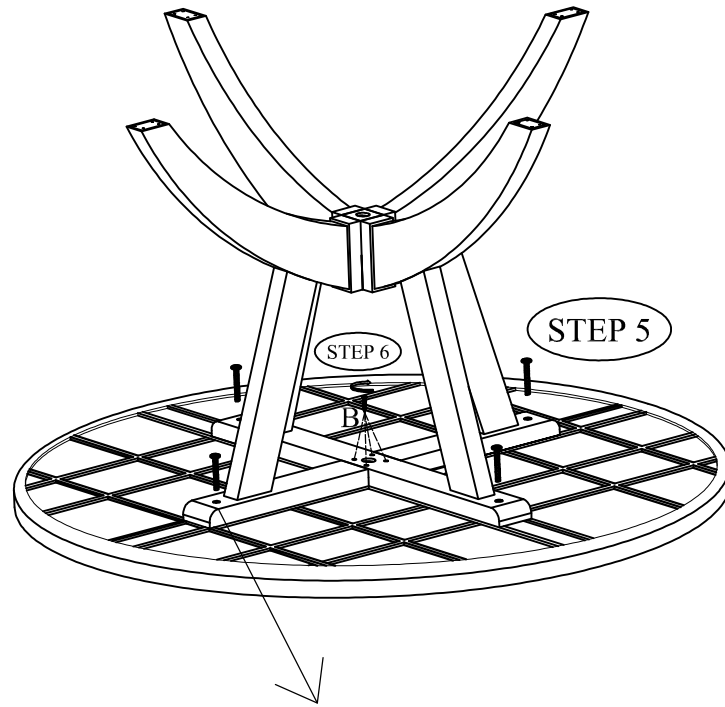
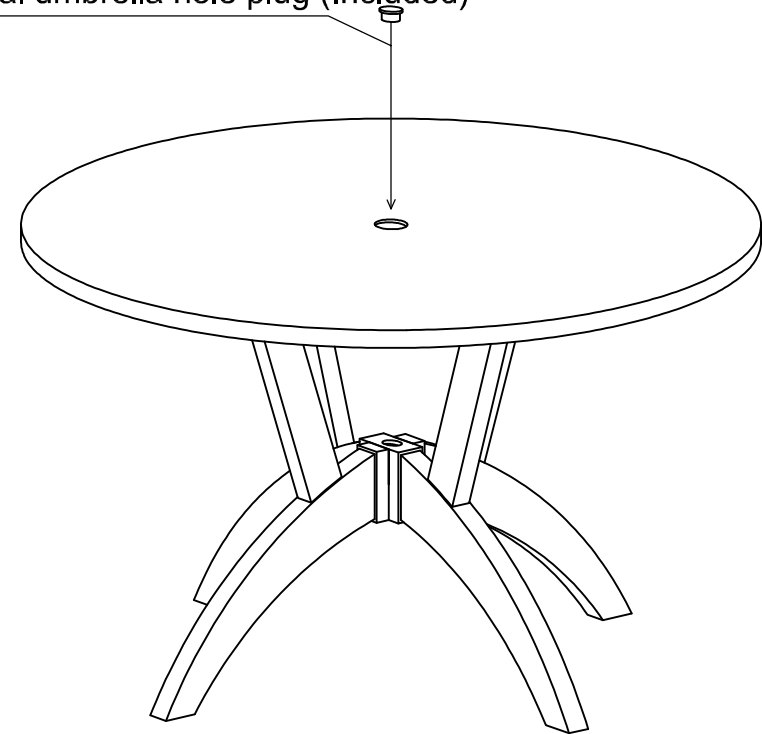


ASSEMBLY INSTRUCTIONS

Round Dining Table



Optional umbrella hole plug (Included)



ASSEMBLY TIPS: Use Caution with Heavy Tables and only assemble with a minimum of two people on soft surfaces as not to damage table tops. Assembly should be face down as shown. Use patience when inserting screws & bolts to find the matching holes before locking down to avoid unnecessary damage. Please use care since the table surface area & parts are handmade.