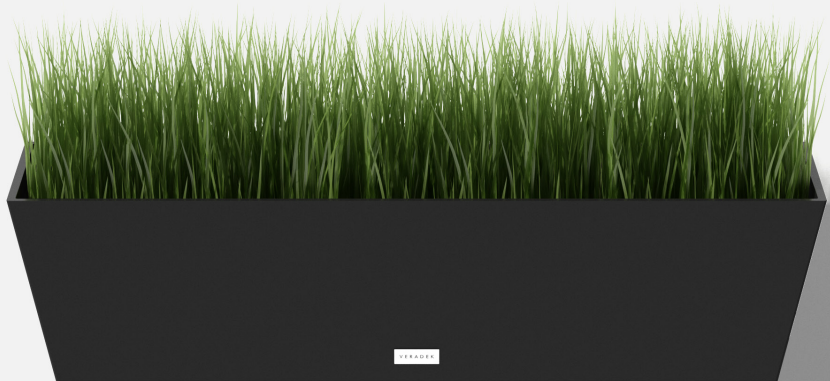


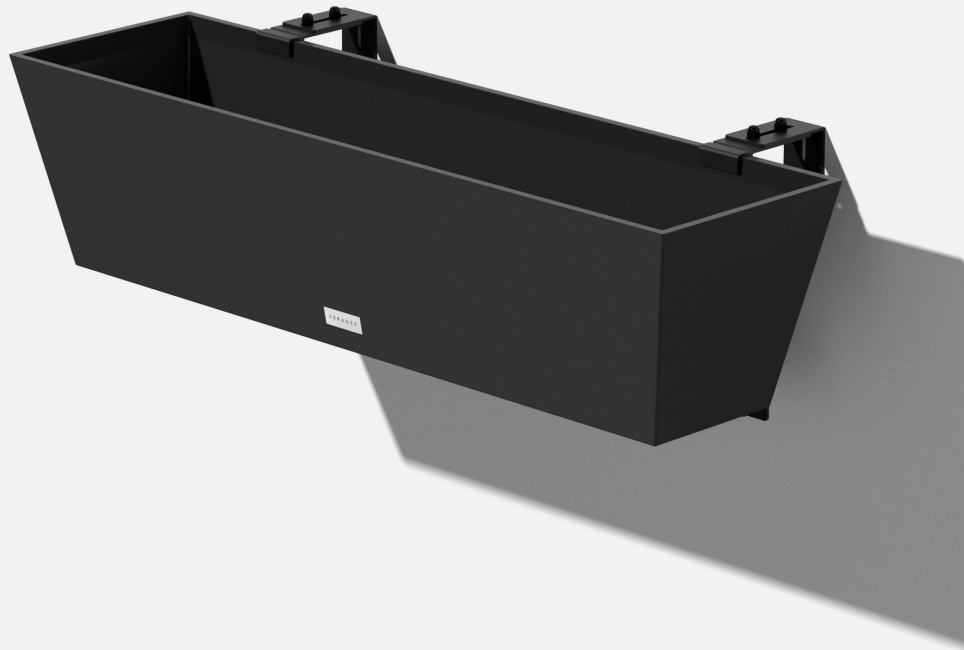
veradek ——— outdoor

PURE SERIES

# railing planter instructions



# parts and components



sliding bolt  
x4



cap nut  
x4



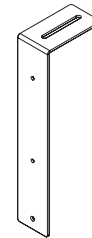
screw  
x4



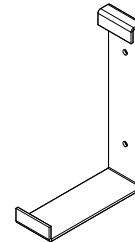
hex nut  
x4



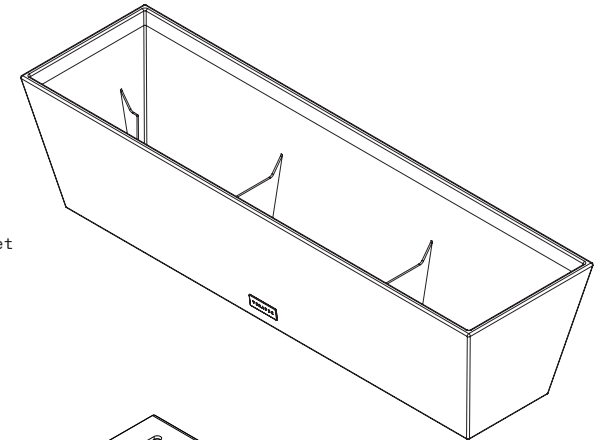
leveling bar  
x1



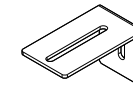
railing bracket  
x2



planter bracket  
x2

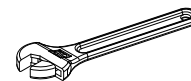


planter x1

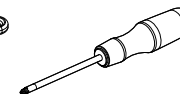


sliding bracket  
x2

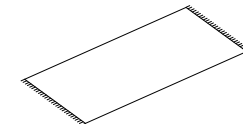
not included



wrench



phillips  
screwdriver

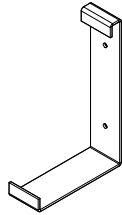


a soft working surface  
for assembling your items

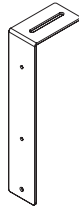
# step 1



screw x4



planter bracket x2



railing bracket x2

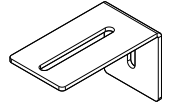
# step 2



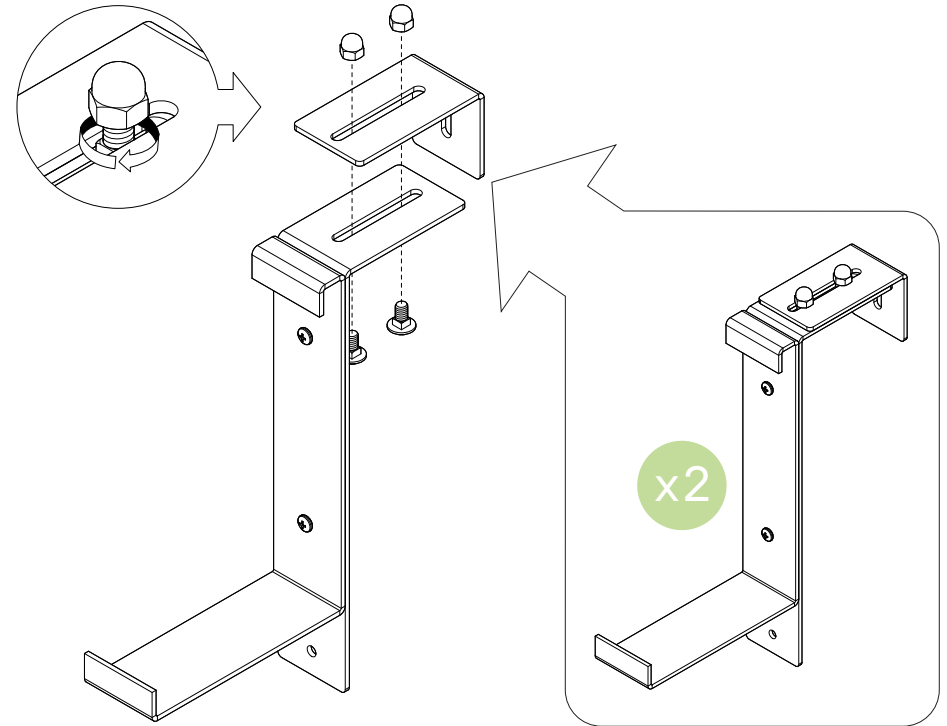
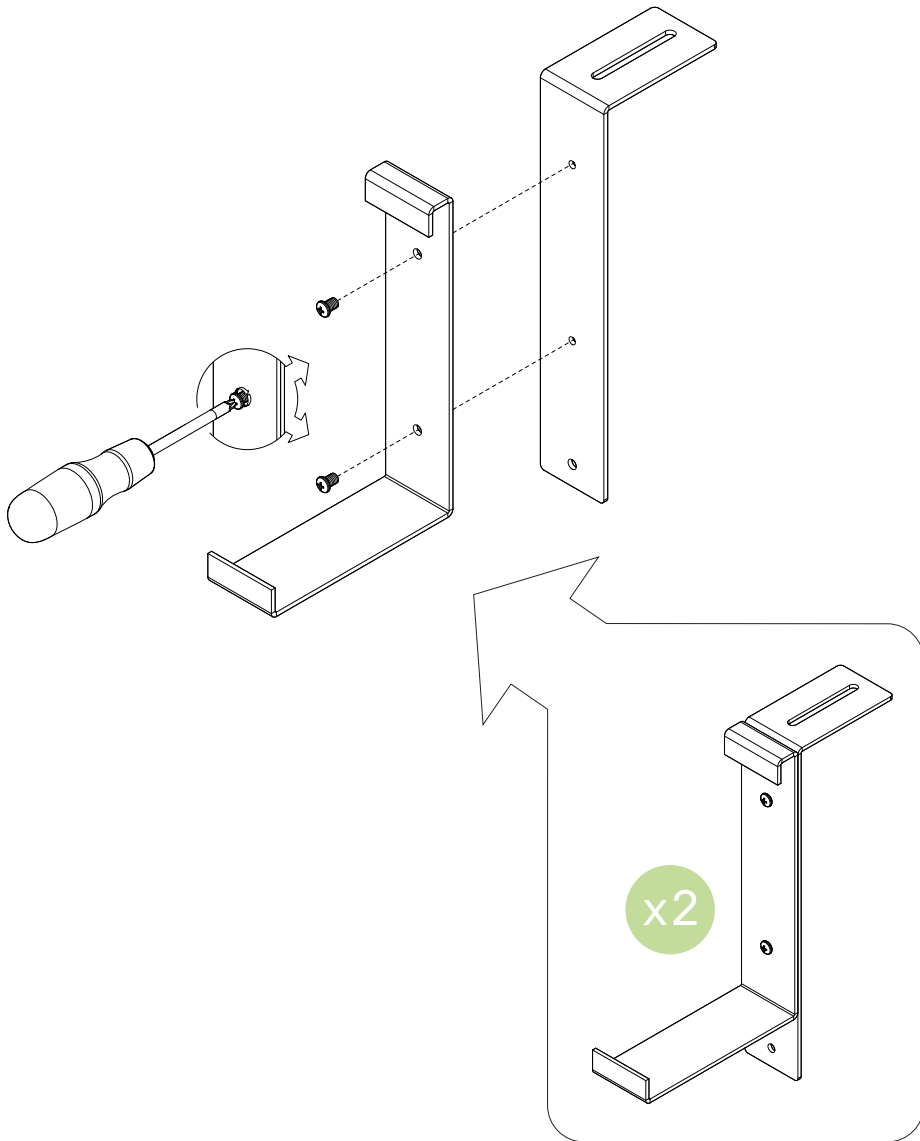
sliding bolt x4



cap nut x4

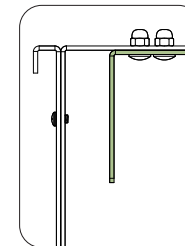


sliding bracket x2

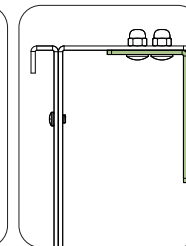


The mounting bracket can be configured in a small, medium, or large orientation to be mounted on railings 1" to 5.5" wide.

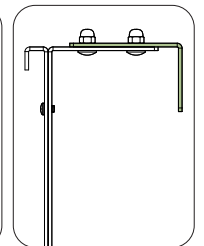
Please mount brackets based on your specific mounting needs.



sm1 - 1" - 1.5"



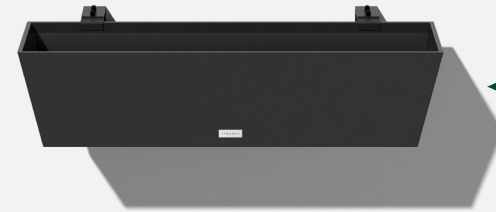
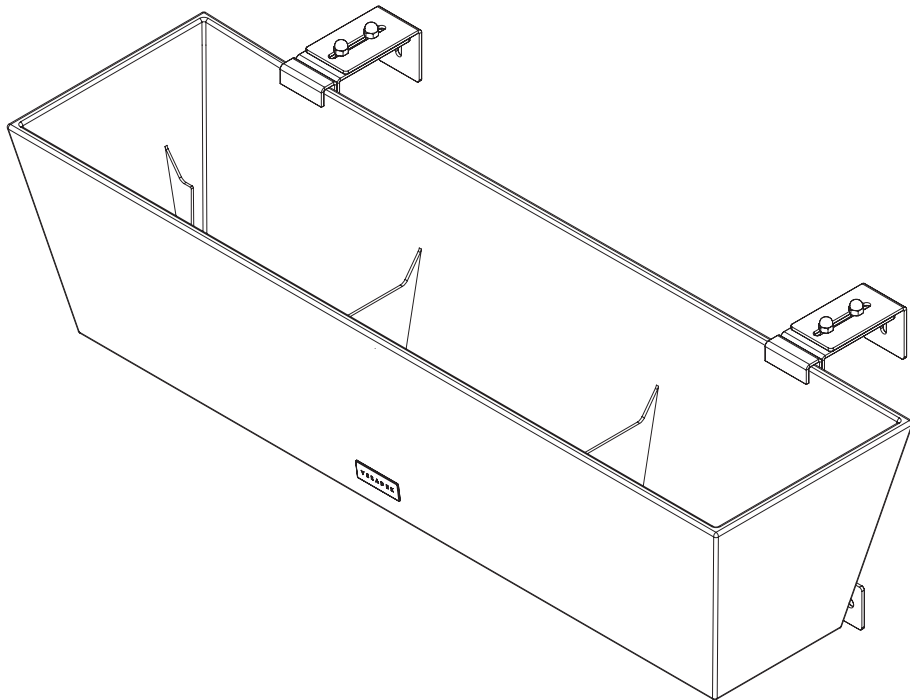
med - 2" - 3.5"



lrg - 3.5" - 5.5"



complete



hello, *sunshine!*

That was easy – time to enjoy  
your outside space.

share your outdoor space with **#MYVERADEK**

# meet the *family*

Hi! We're the Pure Planter Series, and we're the original all-weather planters. With our tapered shapes, neutral color palettes, and timeless design, we take your space up a notch.



01 nobleton - 02 midori - 03 midland - 04 window box - 05 railing



meet you  
outside

veradek ——— outdoor