

ASSEMBLY INSTRUCTIONS:

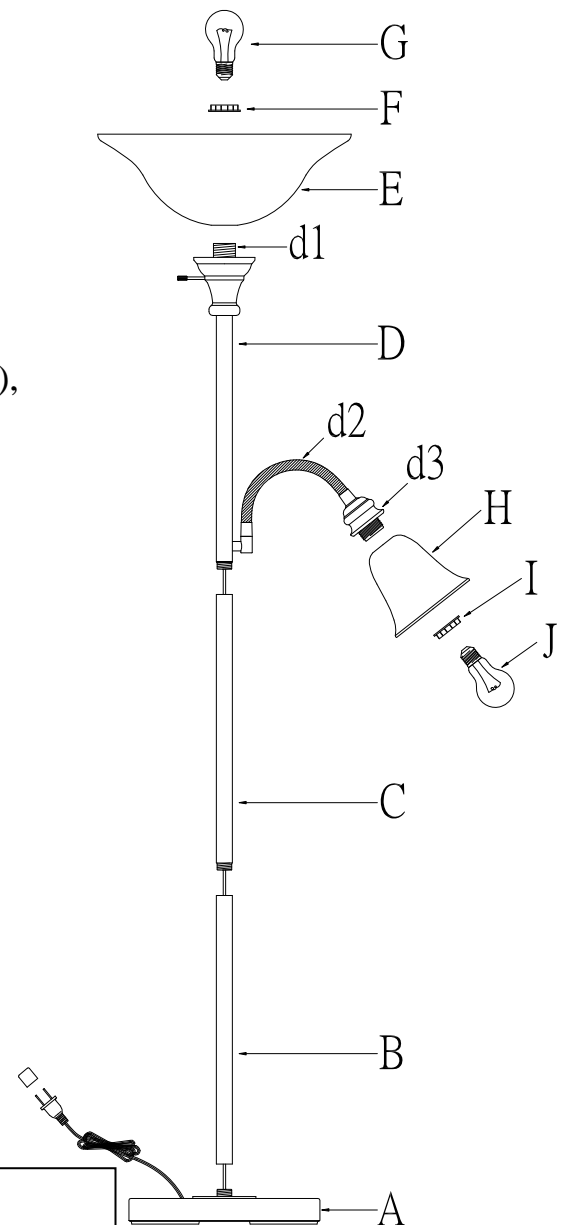
ITEM NO :BO-2391TR

1. Carefully unpack the carton and then lay out all the parts on the flat surface.
2. Screw Tube(B), (C) and Socket section (D) into the top of Base (A), then pull the cord from Base.
3. Put Shade (E) on the Socket(d1) of Socket Section (D), make the Shade keep horizontal before tightening it by Socket Ring(F).
4. Insert Shade(H) into the Socket(d3) of Socket Section(D), then tightening it by Socket Ring(I).
5. Screw Bulb(G) into Socket(d1), screw Bulb(J) into Socket(d3).

Attention: The soft arm (d2) of part (D) can control the high of Shade(H).

Your lamp now is ready to enjoy

**Use 100 Wattage (Maximum) Type A bulb
+60 Wattage (Maximum) Type A bulb (Bulb not included)**



IMPORTANT SAFETY INSTRUCTIONS:

THIS PORTABLE LAMP HAS A POLARIZED PLUG (ONE BLADE IS WIDER THAN THE OTHER) AS A SAFETY FEATURE TO REDUCE THE RISK OF ELECTRIC SHOCK. THIS PLUG WILL FIT IN A POLARIZED OUTLET ONLY ONE WAY. IF IT DOES NOT FIT FULLY IN THE OUTLET, REVERSE THE PLUG. IF IT STILL DOES NOT FIT, CONTACT A QUALIFIED ELECTRICIAN. NEVER USE WITH AN EXTENSION CORD UNLESS THE PLUG CAN BE FULLY AND EASILY INSERTED. DO NOT ATTEMPT TO ALTER THE PLUG.

SAVE THESE INSTRUCTIONS FOR FUTURE REFERENCE.