



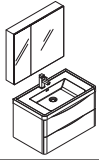
# SENZA

## **INSTALLATION GUIDE**

FVN9032

## CONTENTS:

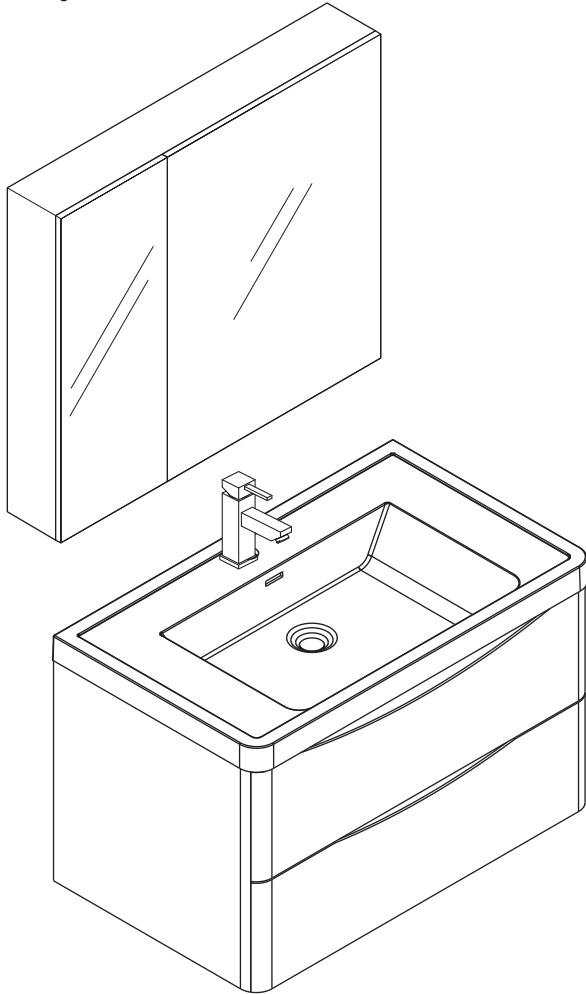
Mirror.....	FMC8090.....	PAGE 3
Cabinet.....	FCB9032.....	PAGE 5
Sink.....	FVS9032WH.....	PAGE 5



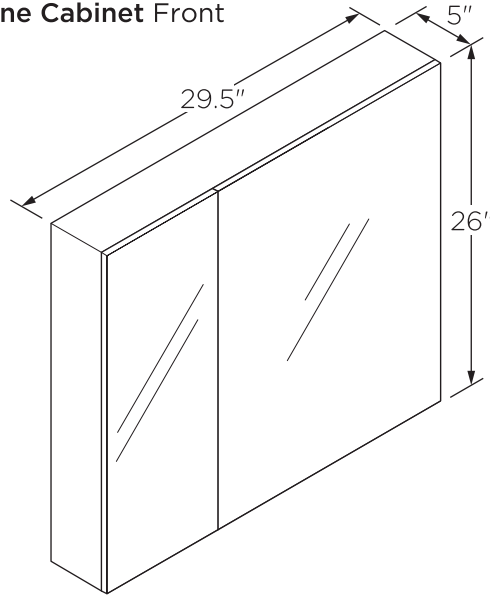
**FVN9032**  
**SENZA**  
**INSTALLATION GUIDE**



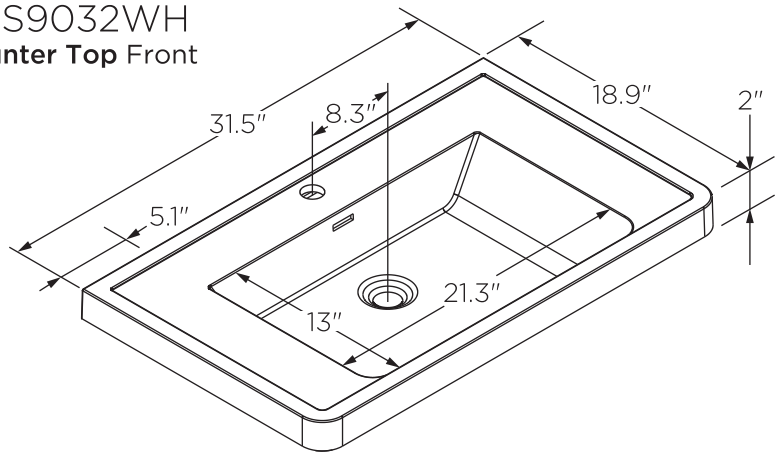
**FVN9032**  
**Vanity Front**



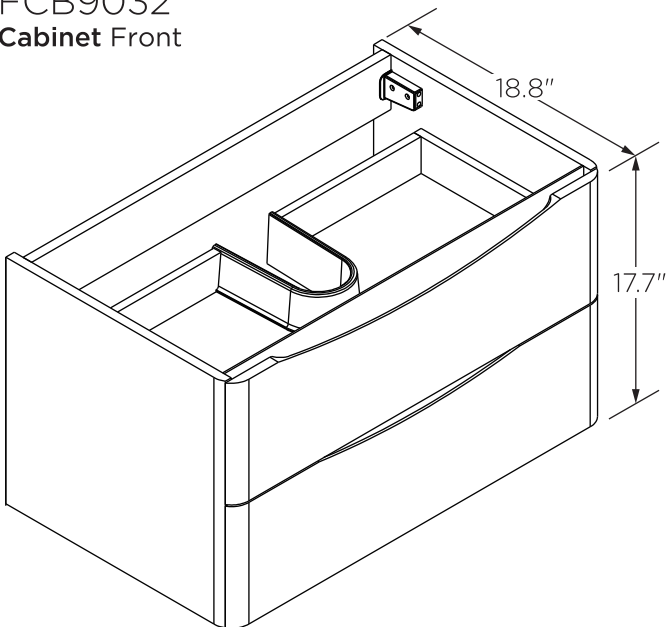
**FMC8090**  
**Medicine Cabinet Front**



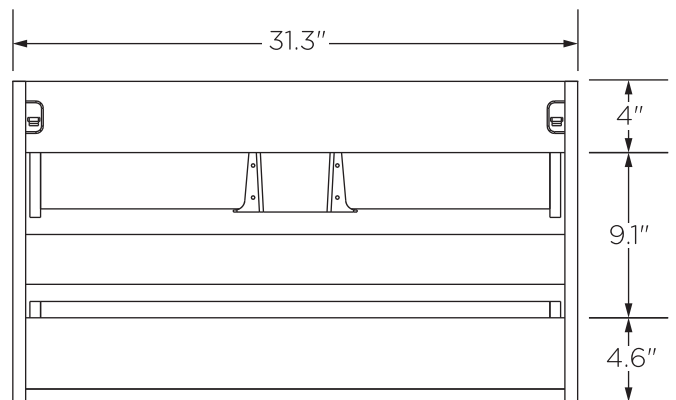
**FVS9032WH**  
**Counter Top Front**



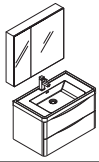
**FCB9032**  
**Cabinet Front**



**FCB9032**  
**Cabinet Back**



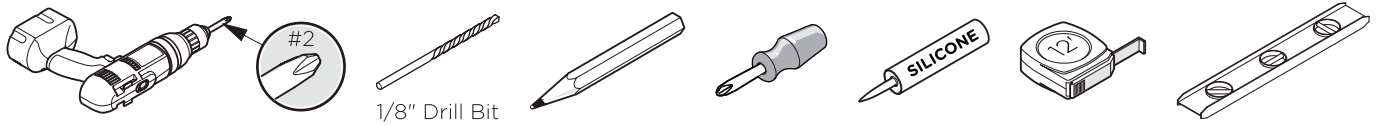
**NOTE:** All dimensions & specifications are approximate and subject to change without notice.



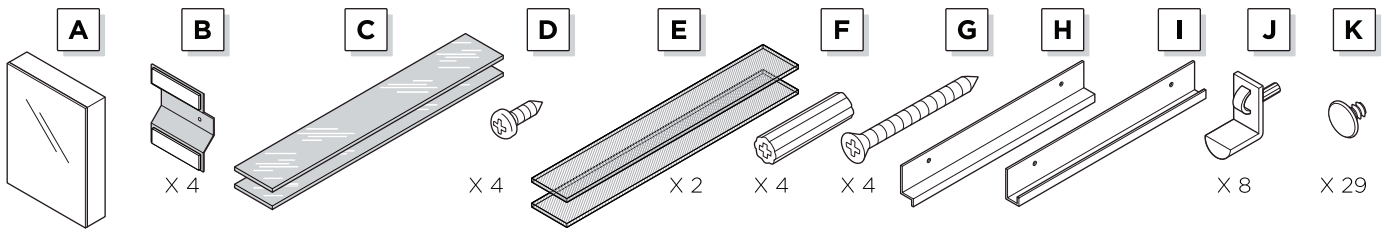
# FVN9032 SENZA INSTALLATION GUIDE



## TOOLS FOR ASSEMBLY



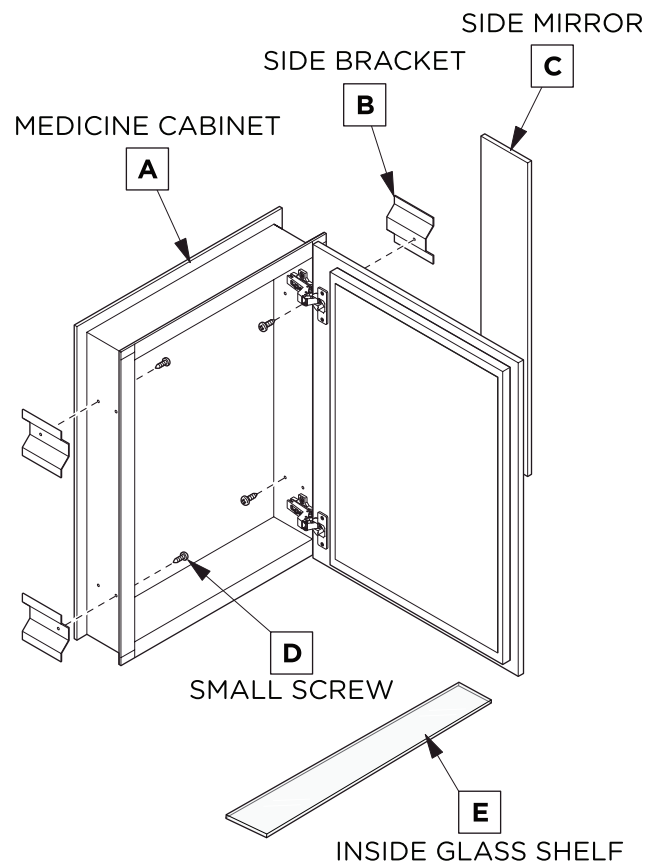
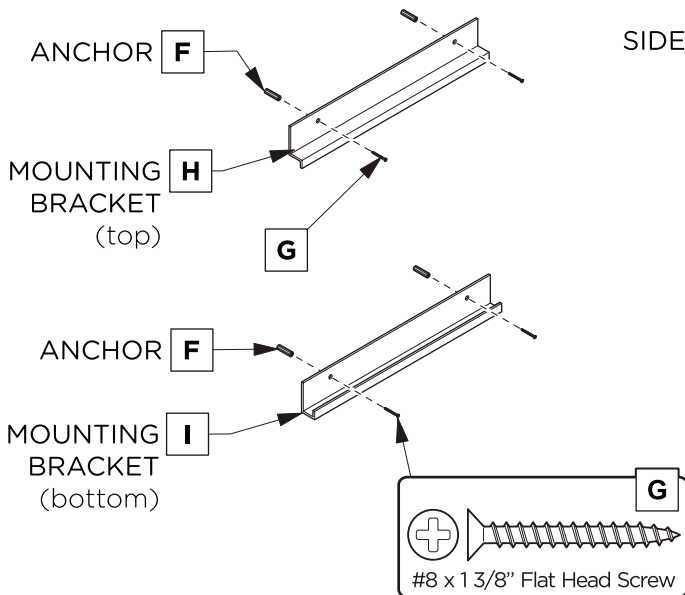
## SUPPLIED PARTS



Your item may appear slightly different from the illustration

### MEDICINE CABINET DIMENSIONS

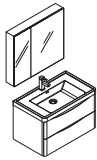
Model SKU	Width <b>A</b>	Height <b>B</b>	Depth
<b>FMC8058</b>	19.5"	26"	5"
<b>FMC8090</b>	29.5"	26"	5"
<b>FMC8010</b>	39.5"	26"	5"



**DANGER:**  
Risk of electronic shock. Avoid existing electrical wiring or plumbing when mounting this product to the wall.



**WARNING:**  
Risk of property damage. Use anchors rated for the loaded weight of the product. Refer to the anchor manufacturer's instructions.

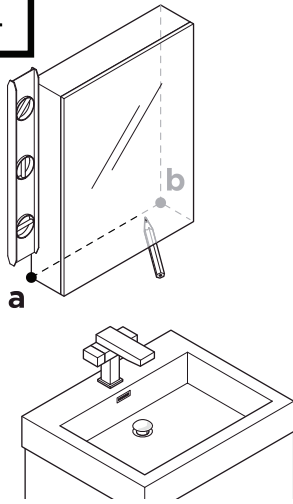


# FVN9032 SENZA INSTALLATION GUIDE



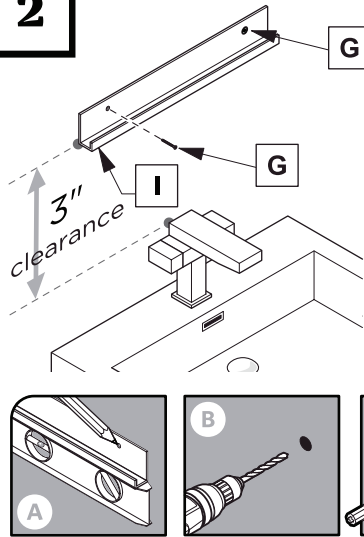
## SURFACE-MOUNT INSTALLATION

**1**



Level and mark the medicine cabinet's location on the wall from point **a** to point **b**.

**2**



Level and mark.

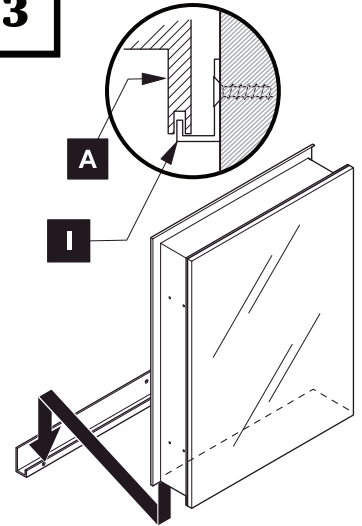
Drill the holes in the wall with a 3/16" drill bit.

Insert the anchors in the holes.

Attach bottom bracket to the wall.

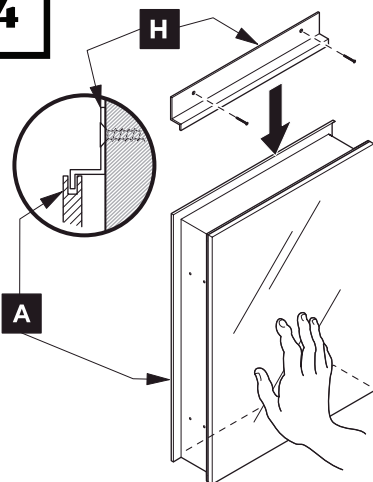
**IMPORTANT:** Consult an expert for the proper screws/bolts to use when attaching to various constructions. Screws provided **do not** attach to all wall construction types. Anchors are not required if brackets are installed in stud.

**3**



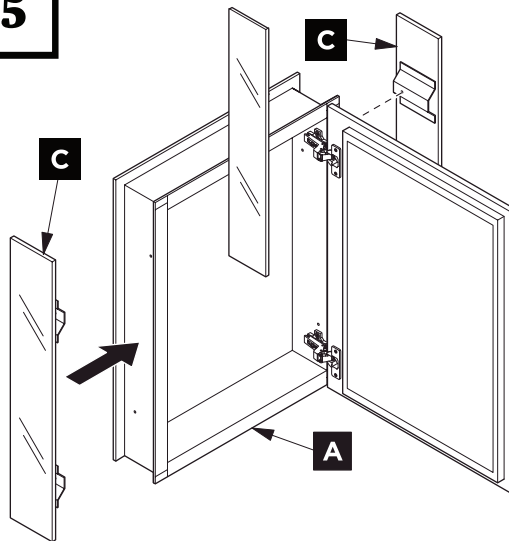
With assistance, rest the medicine cabinet on the bottom mounting bracket and hold it in place.

**4**



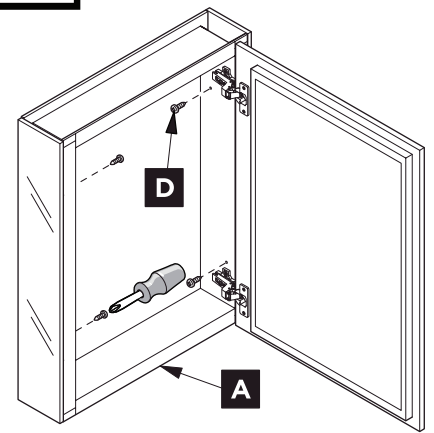
Hold the medicine cabinet (**A**) while it's placed on the bottom bracket, then secure by fitting the top bracket (**H**) on top of the medicine cabinet, and attach the top bracket (**H**) to the wall.

**5**



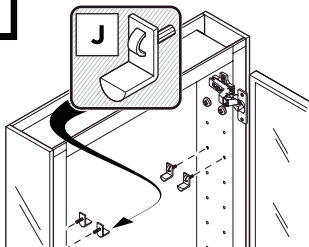
Align mirrored side panels (**C**) to each side of the medicine cabinet.

**6**



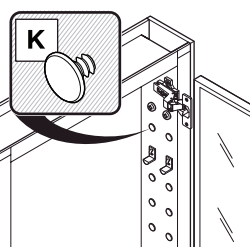
Attach mirrored side panels to the medicine cabinet using a screwdriver and provided screws (**D**).

**7**



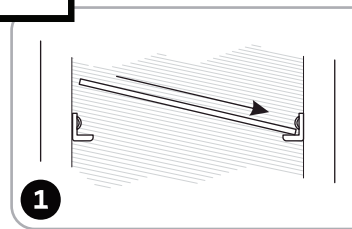
Push and twist the snap-in pins (**J**) into place.

**8**

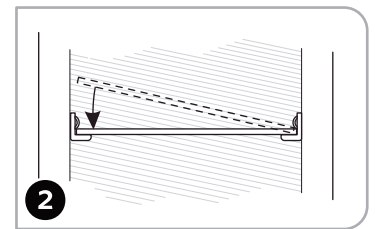


Fill remaining holes with the plugs (**K**).

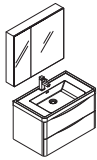
**9**



Push a side of the shelf (**E**) into left or right pins (**J**).



Snap the shelf (**E**) down into the opposite side.

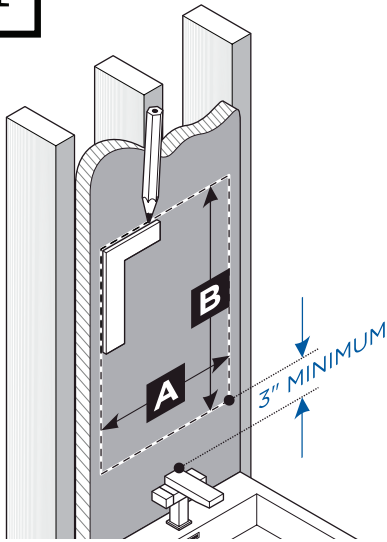


# FVN9032 SENZA INSTALLATION GUIDE



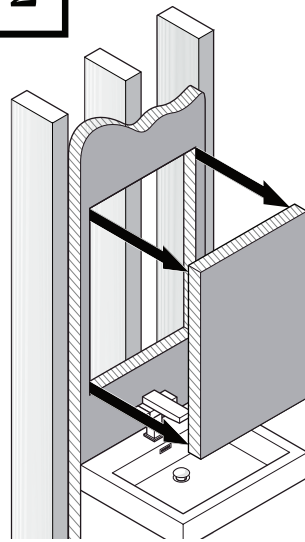
## RECESS-MOUNT INSTALLATION

1



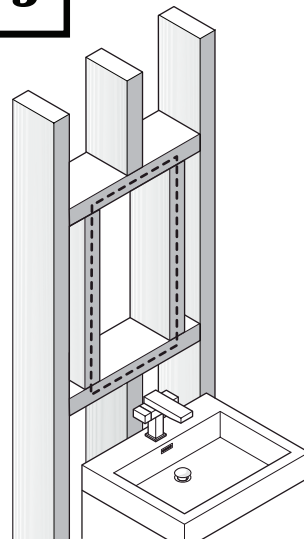
Draw the perimeter of the medicine cabinet on the wall.

2



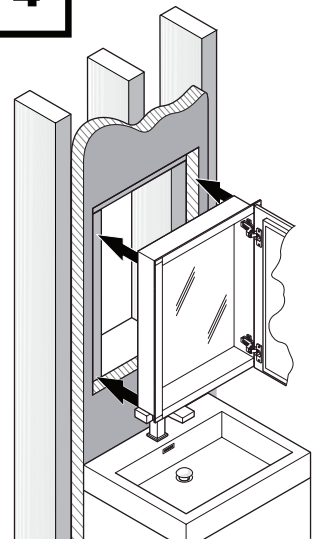
Place and hold the medicine cabinet in the cutout opening.

3



Frame the cutout opening.

4

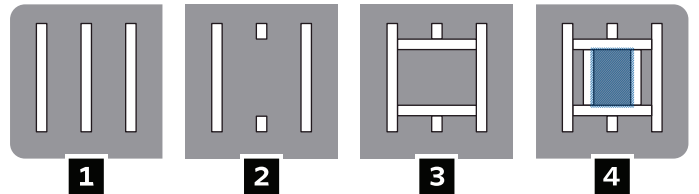


Cut the marked perimeter with appropriate tool.

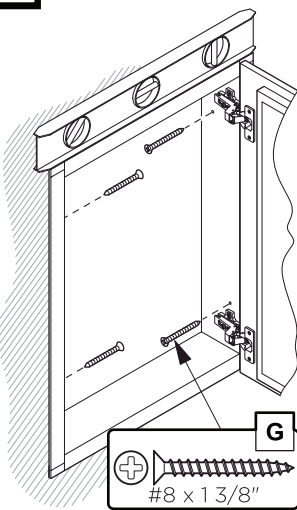
### ROUGH IN DIMENSIONS

Model SKU	Width <b>A</b>	Height <b>B</b>	Depth
<b>FMC8058</b>	19.5"	26"	5"
<b>FMC8090</b>	29.5"	26"	5"
<b>FMC8010</b>	39.5"	26"	5"

### 4 STEPS TO FRAME THE CUTOUT OPENING

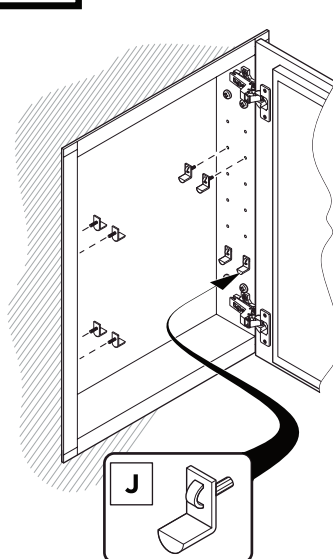


5



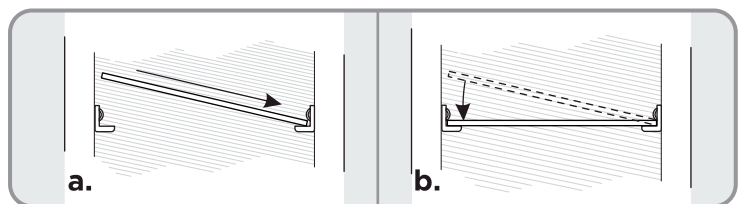
Level, then secure the medicine cabinet with the screws (**G**) through the mounting holes into the framing studs.

6



Choose the position for your shelves then push and twist the snap-in pins (**J**) into place.

7



a. Push a side of the glass shelf (**C**) into left or right pins (**J**).

b. Snap the glass shelf (**C**) into the opposite side.

c. Fill remaining holes with the plugs (**K**).

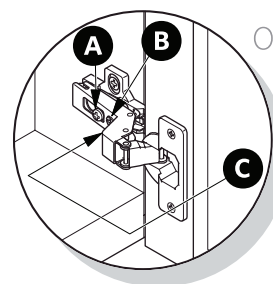


Illustration A.

### OPTIONAL DOOR ADJUSTMENT:

- A** This screw allow you to adjust pitch side to side.
- B** This screw releases cabinet's door and allows up and down adjustment.
- C** This screw allow you to adjust the gap between doors.

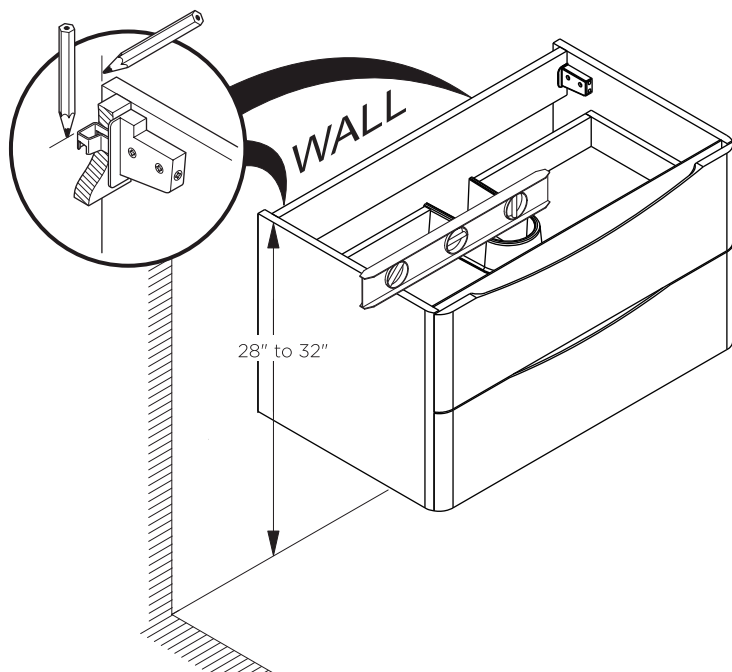


# FVN9032 SENZA INSTALLATION GUIDE

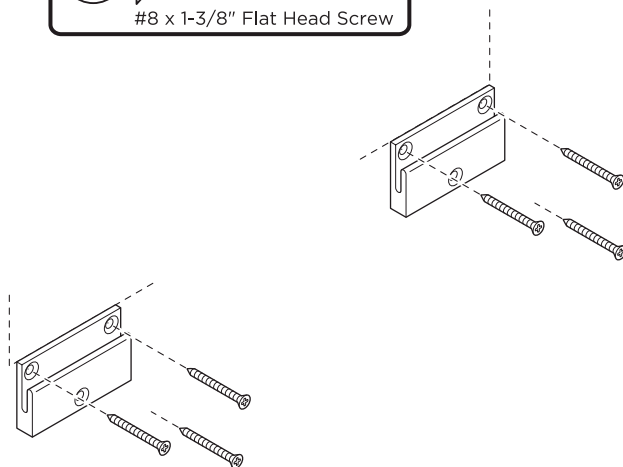
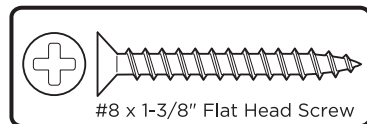


## CABINET INSTALLATION

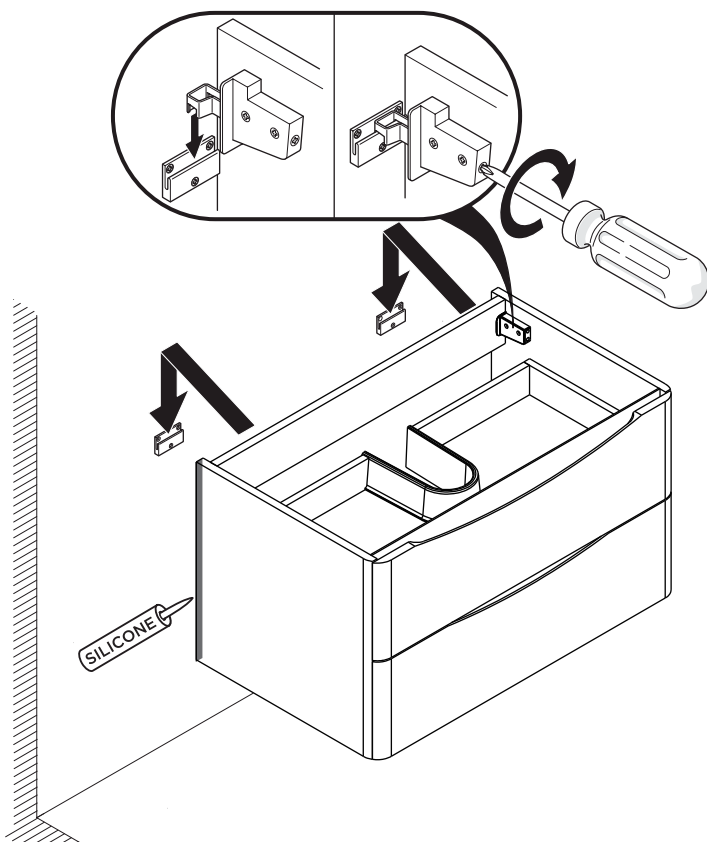
**1** Locate cabinet & mark location on the wall



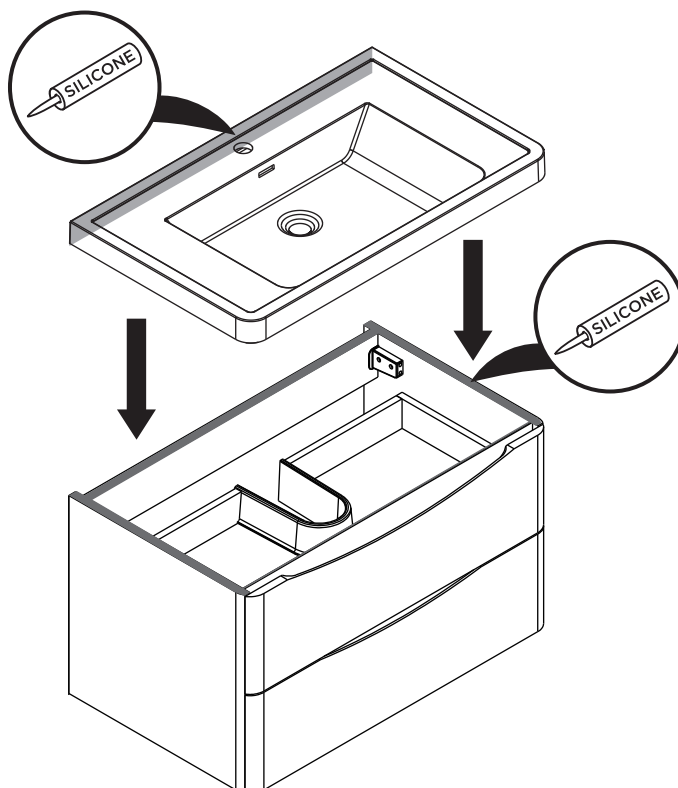
**2** Install wall brackets

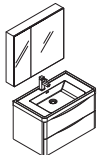


**3** Install cabinet



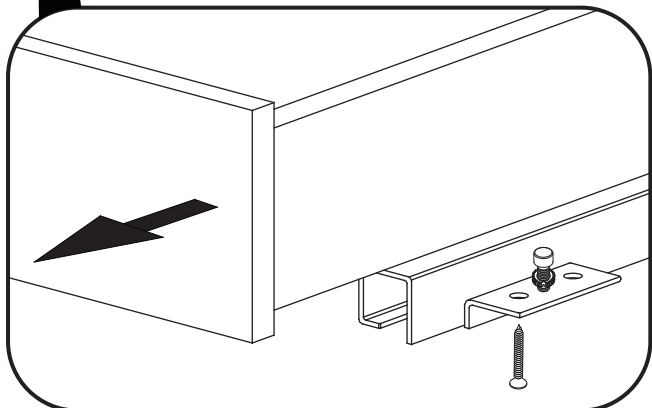
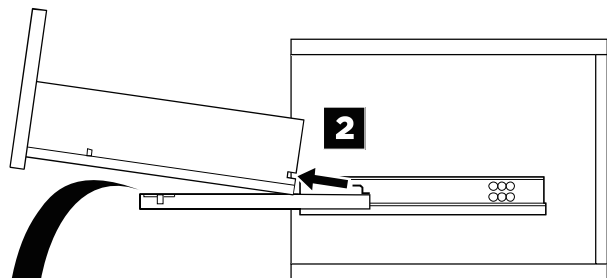
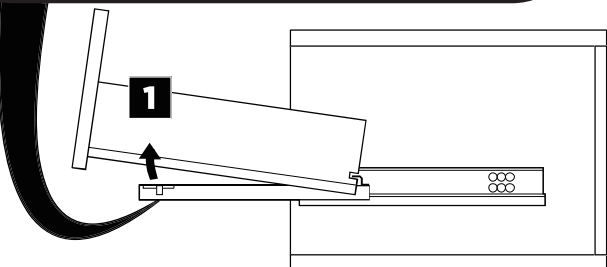
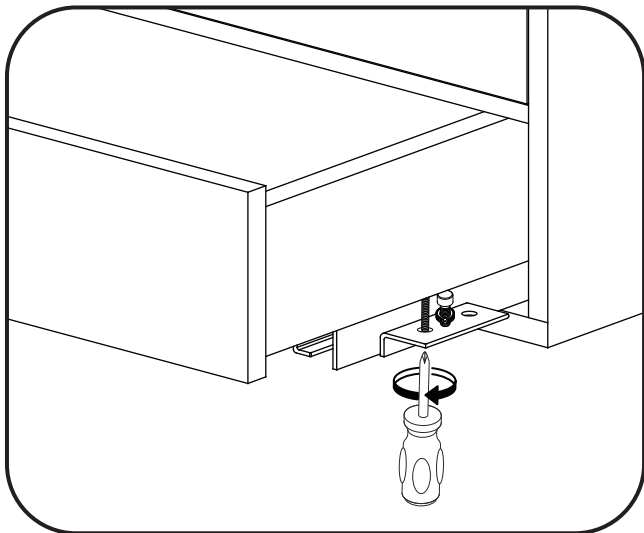
**4** Apply a bead of silicone on the top of the cabinet and place sink on the cabinet



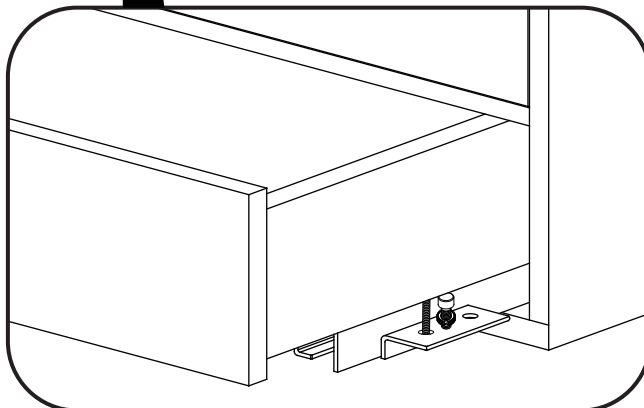
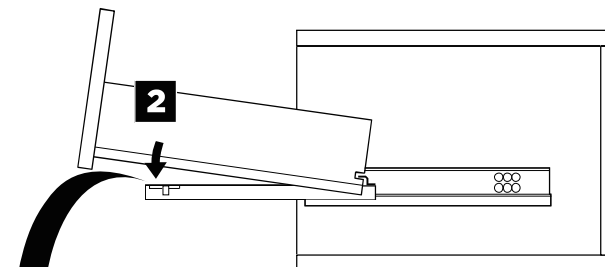
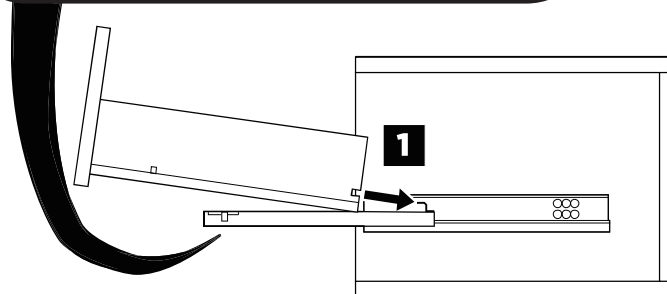
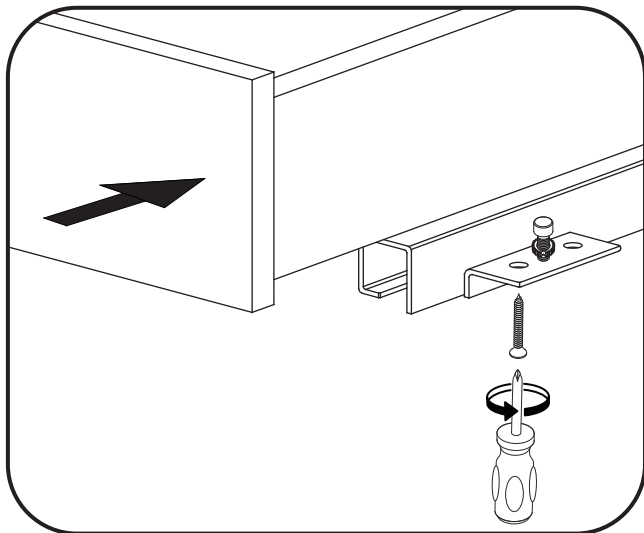


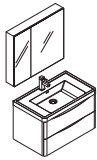
**DRAWER REMOVAL & INSTALLATION**

**REMOVAL**



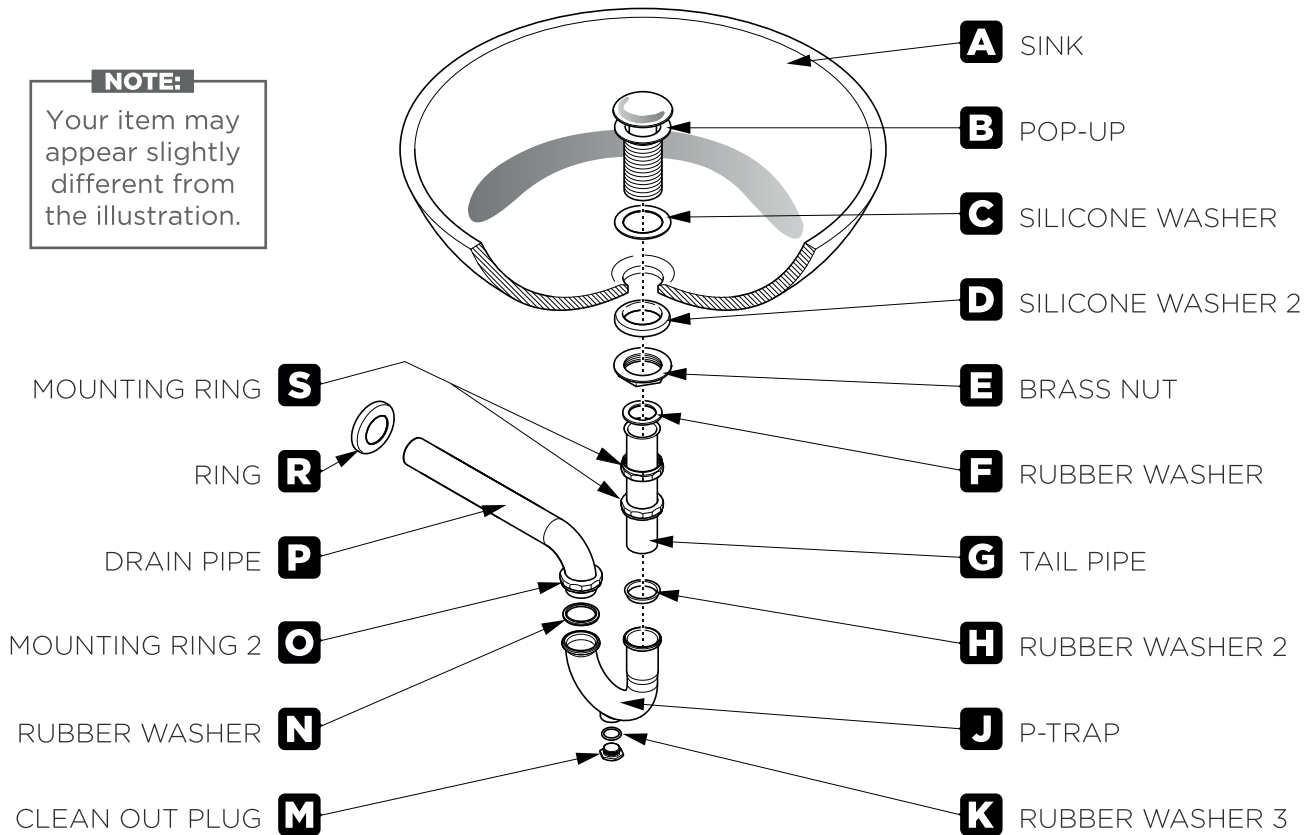
**INSTALLATION**





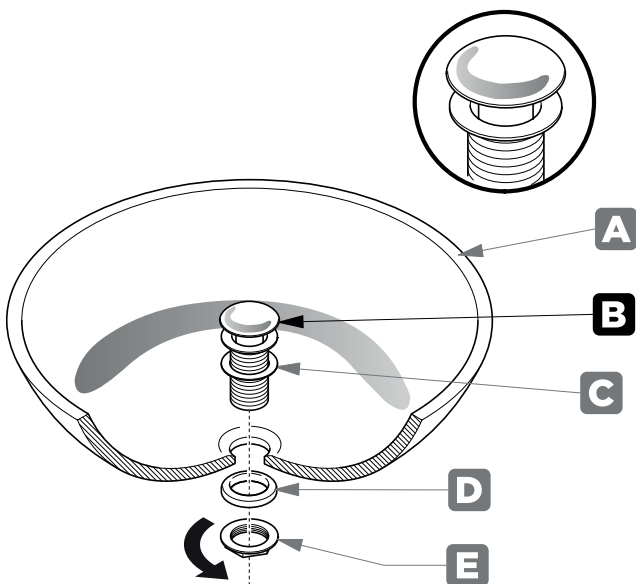
**P-TRAP AND POP-UP INSTALLATION INSTRUCTIONS**

**NOTE:**  
Your item may appear slightly different from the illustration.



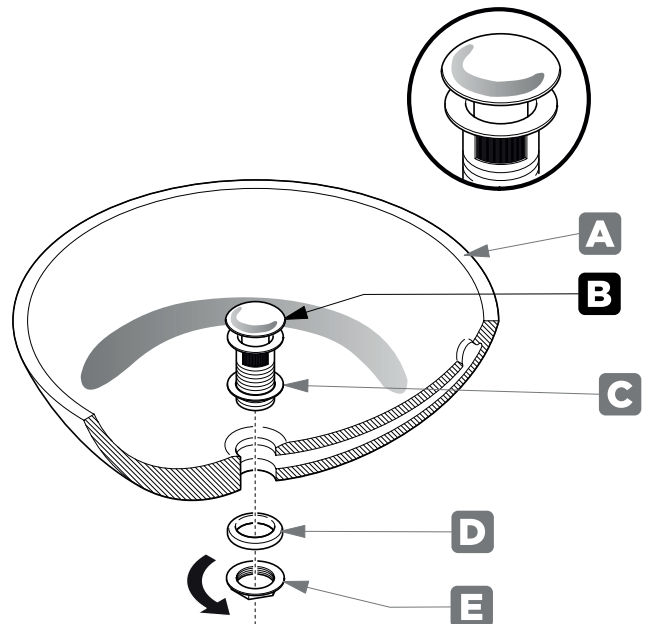
**POP-UP INSTALLATION INSTRUCTIONS**

**FOR SINKS**  
WITHOUT OVERFLOW

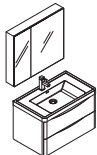


OR

**FOR SINKS**  
WITH OVERFLOW

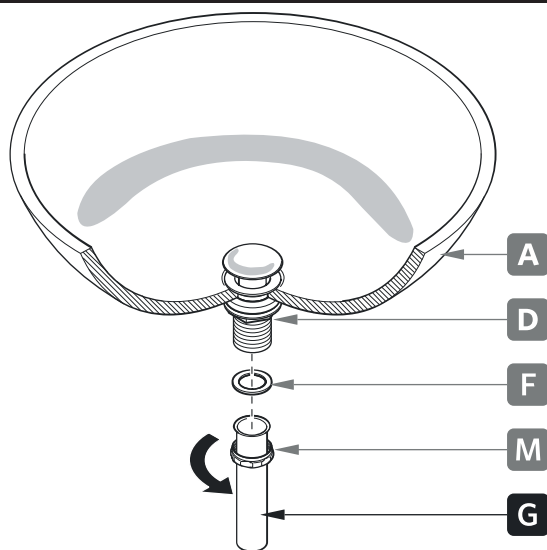






## P-TRAP INSTALLATION

**1** Install tail pipe (G)



**2** Install p-trap (J)

