

BARSTOW COUNTERSTOOL

Read this instruction carefully. See hardware and furniture part list for guidance. Be sure all parts are complete before assembly. Place all wooden furniture parts on a clean and flat soft surface to prevent from being scratched. Follow the figure to start assembling.

CAUTIONS : 1. Do not FULLY - TIGHTEN the nuts or nut bolts until all nuts or bolts are ready for assembly.
 2. Do not OVER - TIGHTEN the nuts or bolts to avoid causing damages to the thread.
 3. Keep all hardware parts out of reach of children.

NOTE : THE LIST AND QUANTITY SHOWN ARE FOR 1 UNIT ASSEMBLY.

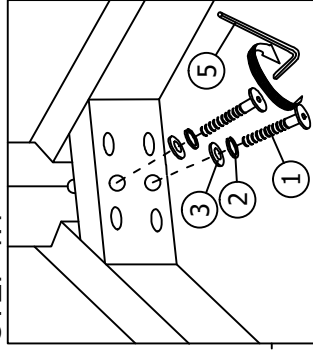
Tool needed : Screwdriver (not provided).

PART LIST		
ITEM	DESCRIPTION	QTY
A	CHAIR	1 PC
B	LEG	4 PCS
C	SIDE RAIL (LONG)	2 PCS
D	SIDE RAIL (SHORT)	2 PCS

HARDWARE LIST		
ITEM	DESCRIPTION	QTY
1	JCBC Bolt M6 x 60mm	8 PCS
2	M6 FLAT WASHER	8 PCS
3	M6 SPRING WASHER	8 PCS
4	WOOD SCREW M4 x 38mm	8 PCS
5	M4 ALLEN KEY (BALL SHAPE)	1 PC

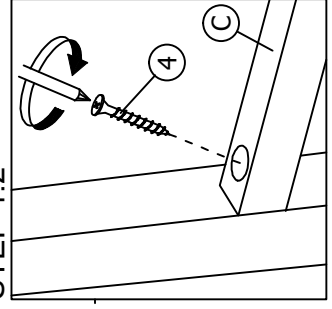
STEP 1

STEP 1.1



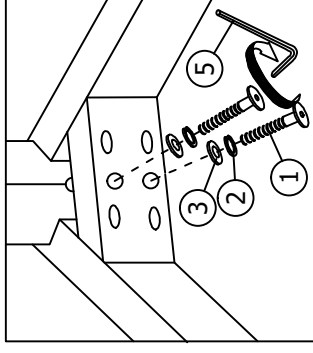
Don't screw tight

STEP 1.2



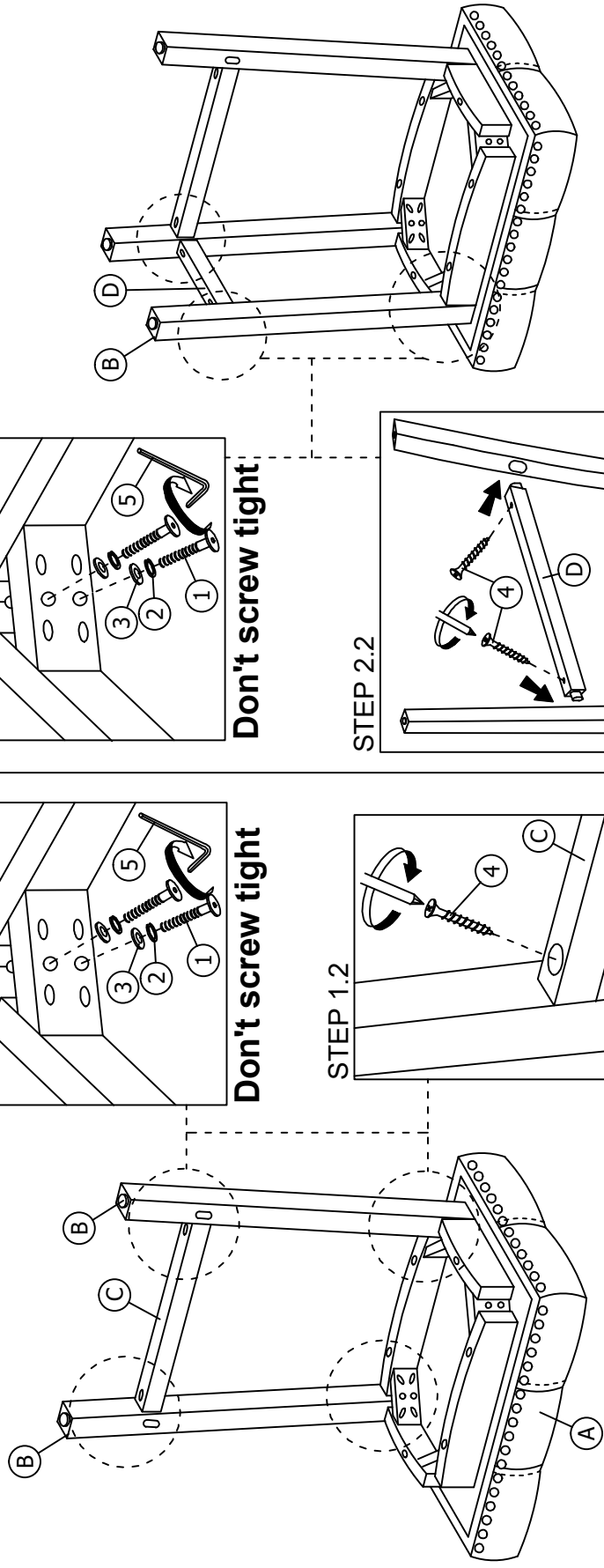
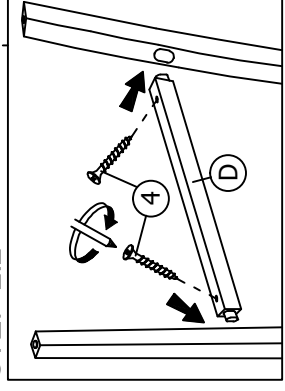
STEP 2

STEP 2.1



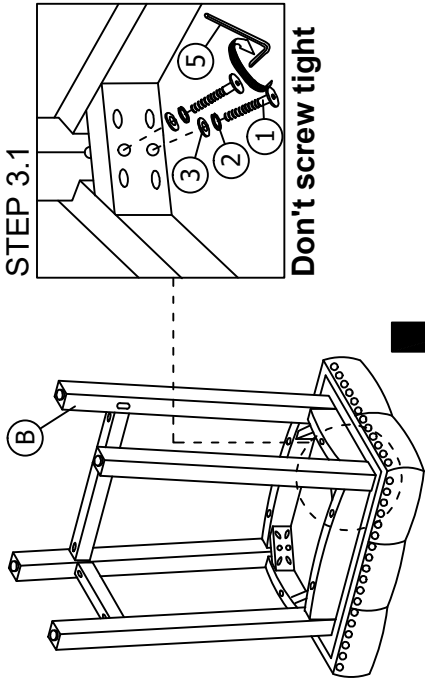
Don't screw tight

STEP 2.2



ASSEMBLY INSTRUCTIONS

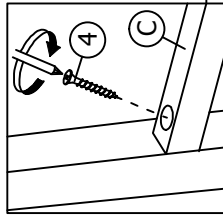
STEP 3



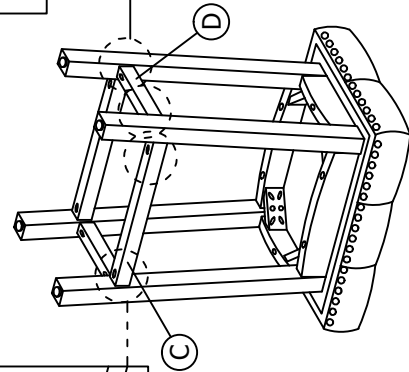
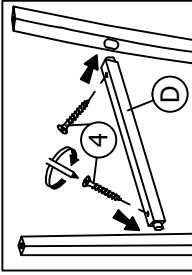
STEP 3.1

Don't screw tight

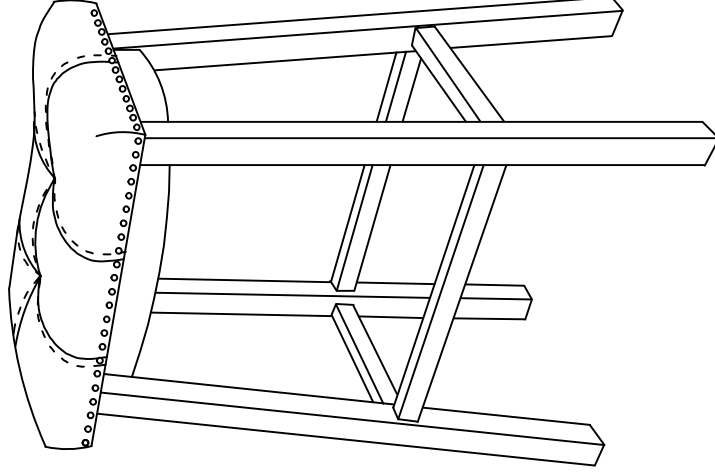
STEP 3.2



STEP 3.3



STEP 4



****Finish step 3:**

Please tighten all screws and bolts on steps 1, 2 and 3.1