

# SAFAVIEH COFUTURE

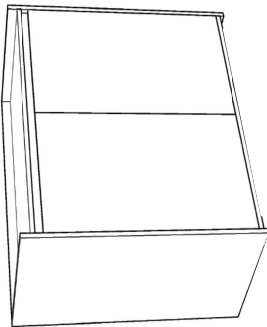
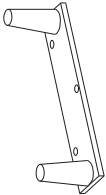

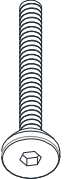

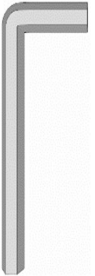
## CARE AND MAINTENANCE

Spot clean using a mild water-free solvent. Only a professional cleaner should undertake a complete overall cleaning. The use of steam or water-based cleaners may cause excessive shrinking or staining.

### NOTICE

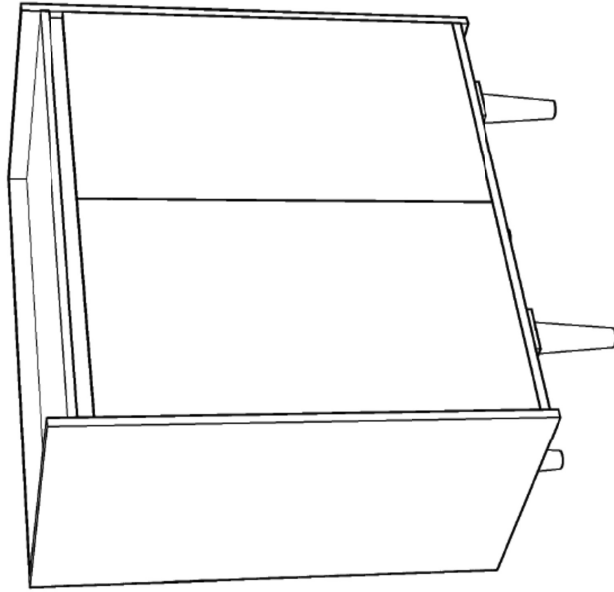
- \* Please make sure that you have all parts indicated before you begin assembly of this item
- \* This item should be assembled on a soft surface to prevent scratching the finish during assembly
- \* This item may require periodic tightening

## Part List and Hardware List

PIECE	DESCRIPTION	PICTURE	QUANTITY
A	Cabinet		1X
B	Leg		2X
C	Marble		1X
HW1	Allen bolt 30x6 mm		6X
HW2	Washer 25mm		6X
HW3	Allen key 4 mm		1X

Item# SFV5729A

Product dimensions: 34.6"W X 17.7"D X 39.4"H

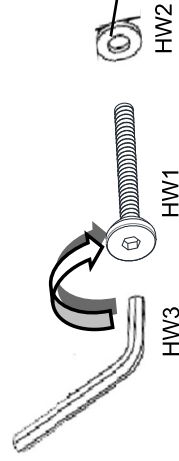
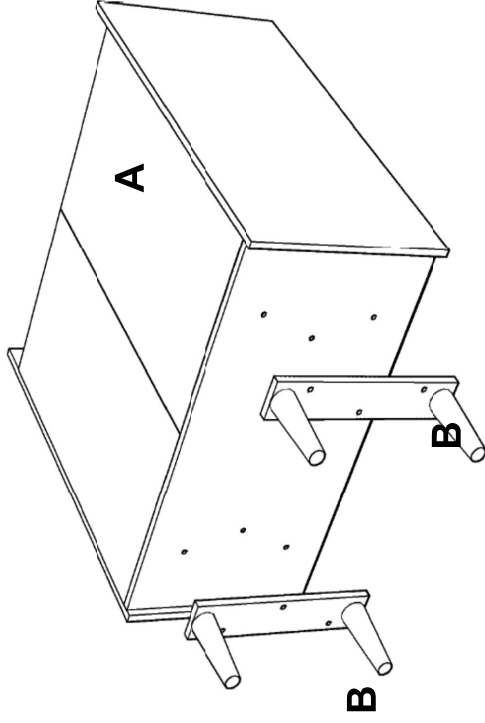


**⚠ WARNING ⚠**

Weight Capacity - 260 LBS  
Warning : Do not stand on Bar Cabinet  
Warning : Do not over torque bolts.

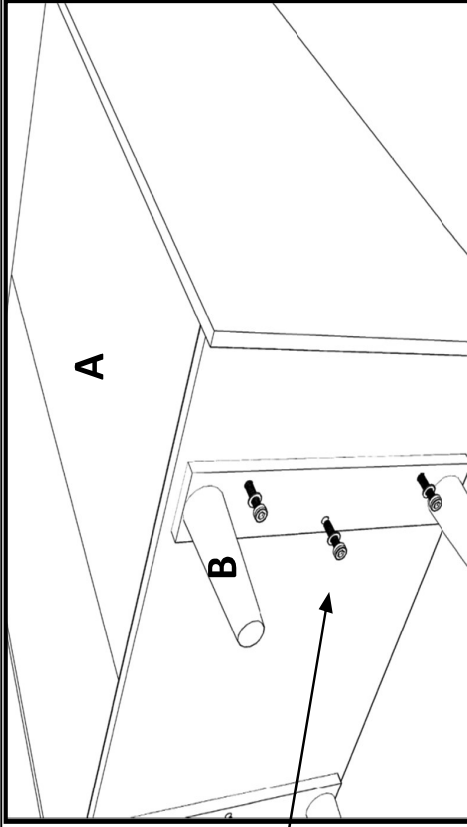
**PREPARATION**

Before beginning assembly of product, make sure all parts are present. Compare parts with package contents list and hardware contents list. If any part is missing or damaged, do not attempt to assemble the product.  
Estimated Assembly Time: 15 minutes.  
Tools Required for Assembly (included): Allen Key



**STEP1** LAYDOWN THE CABINET(A) AS SHOWN .  
PLACE LEGS (B) WITH THE BOTTOM OF THE  
CABINET.

**STEP2** INSERT ALLEN BOLT (HW1) WITH WASHER (HW2) & TIGHTEN WITH ALLEN KEY (HW3).



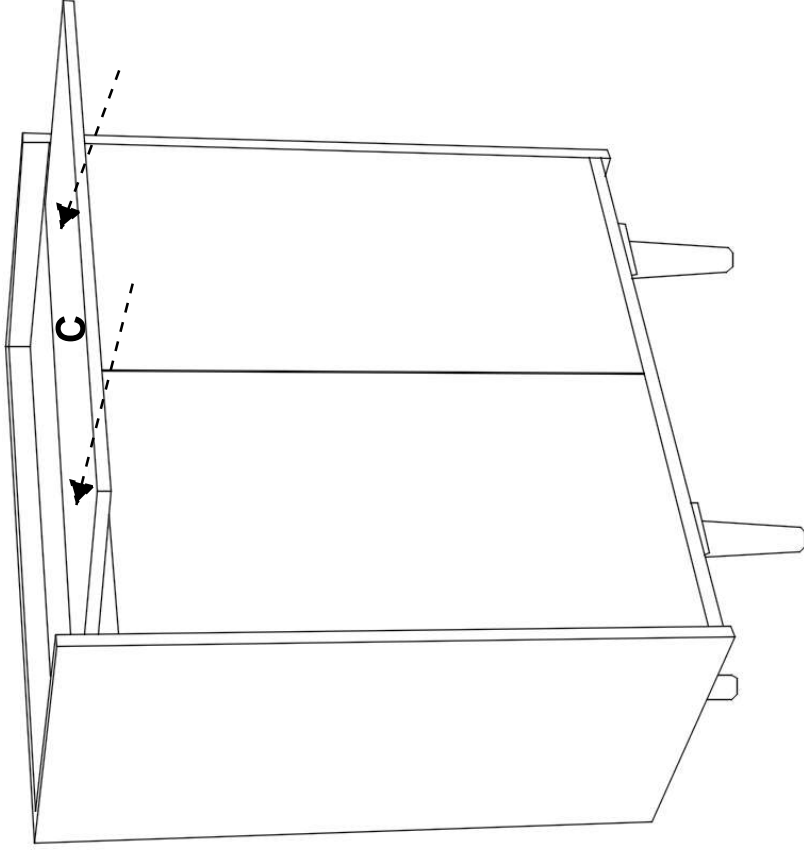
**STEP3** FLIP THE CABINET UP WITH HELP .

**PREPARATION**

Before beginning assembly of product, make sure all parts are present. Compare parts with package contents list and hardware contents list. If any part is missing or damaged, do not attempt to assemble the product.

Estimated Assembly Time: 15 minutes.

Tools Required for Assembly (included): Allen Key



**STEP 4 PLACE THE MARBLE (C) GENTLY AS SHOWN IN PICTURE.**