

# SEACHROME

Seachrome Corporation  
1906 East Dominguez Street  
Long Beach, California 90810  
Phone: (800) 955-2476  
Fax: (800) 444-3380

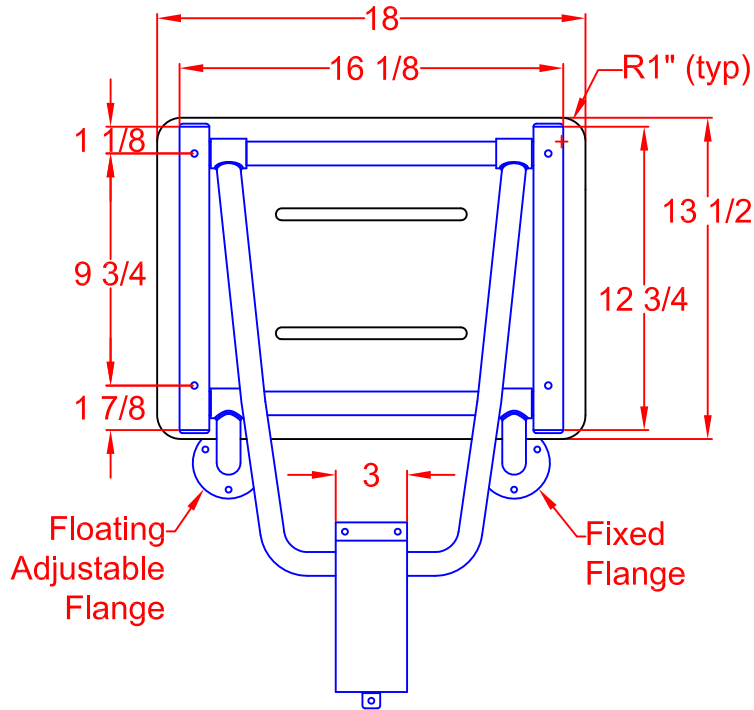
Description:

SSB-180150-PWS  
18" x 15" Shower Seat  
(Solid White Phenolic Top)

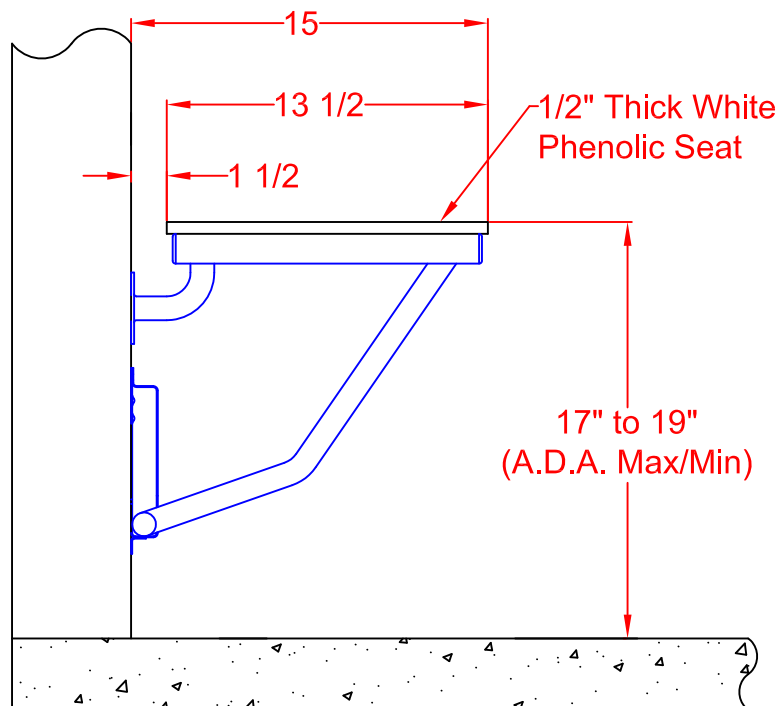
Customer:

Customer Part #

08-03-2018



FRONT VIEW  
( Up position )



SIDE VIEW  
( Down position )

This drawing and the information contained herein is proprietary to Seachrome Corp. and shall not be reproduced, copied or disclosed in whole, or part, or used for manufacturing or for any other purpose without the written permission of Seachrome Corporation.

Hardware Package Includes:

- (6) #12 x 2-1/2" Phillips Pan Head Sheet Metal Screw
- (3) #10 x 2-1/2" Phillips Pan Head Sheet Metal Screw