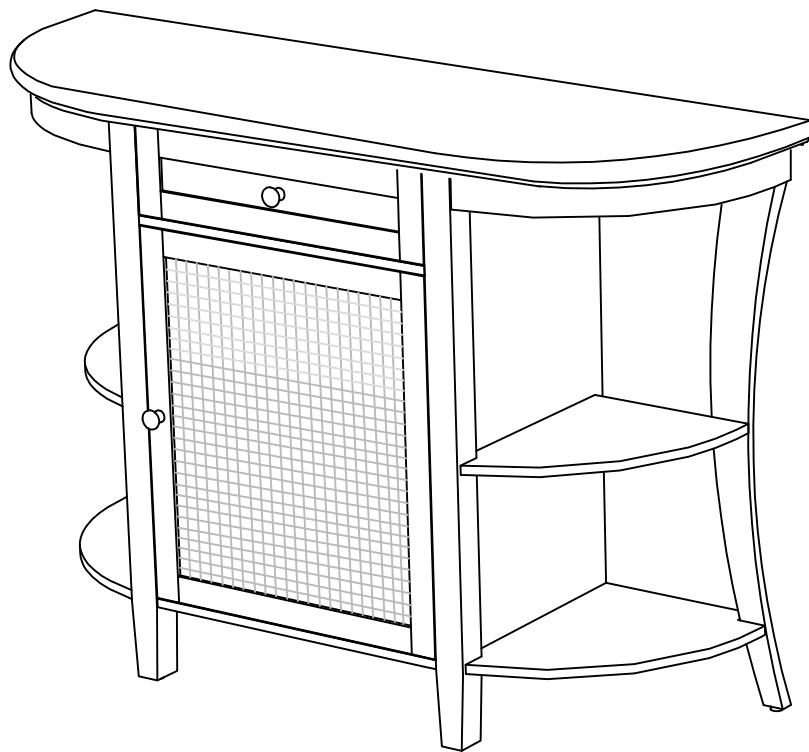


ASSEMBLY INSTRUCTIONS

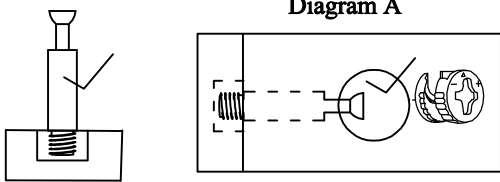


NOTE TO CUSTOMERS:

- For ease and speed of assembly we recommend that before you commence each step of the assembly that you identify all the parts required to complete that step.
- We recommend that where possible you allow sufficient space to assemble the item as close as possible to the place where it will be once assembled.
- For the protection of your furniture we recommend that the product is placed on protected surfaces during assembly to prevent any damage.
- During assembly do not over tighten ,as this may damage the product.
- Please ensure you retain all the product packaging until the item completely assembled.
- Please periodically check all fittings and re-tighten as necessary.
- Never allow any liquids to remain on your furniture as absorption can cause the wood to warp or the finish to de-laminate.
- It is recommended that this item should be assembled by two adults.

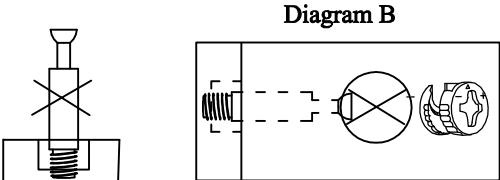
To insert a cam lock: (Please read below instructions before assembling)

Diagram A



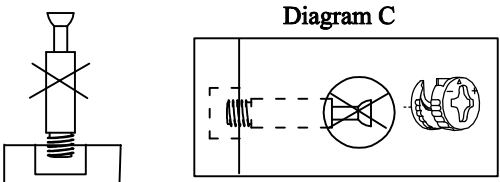
1. Insert cam screw into hole as shown in diagram A .

Diagram B

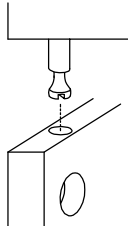


Make sure not to insert the cam screw:
Too deep as shown in figure B as this will cause the cam screw to be misaligned and unable to interlock properly.

Diagram C

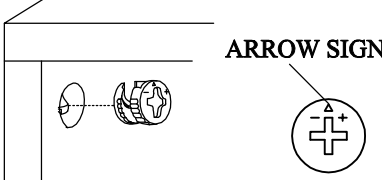


Also avoid inserting the cam screw too close to the surface of the hole as shown in figure C, as this will cause the cam lock to be too loose, and not interlock properly.



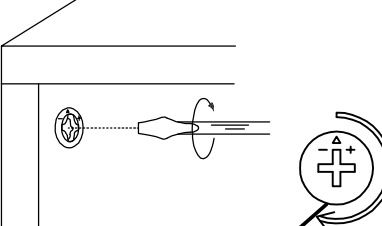
2. Connect the panels together.

Diagram 3



3. When inserting the cam lock make sure the arrow of the cam lock faces the cam screw.

Diagram 4



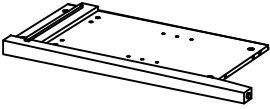
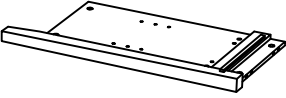
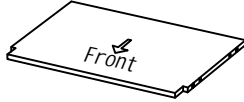
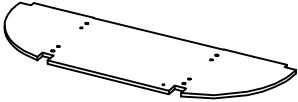
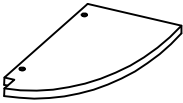
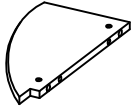

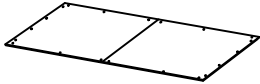

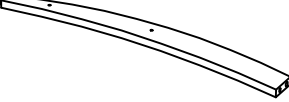
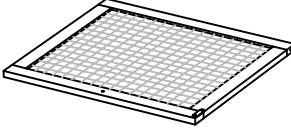

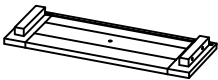



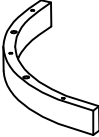

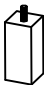
4. To tighten the cam lock turn the cam lock clockwise 90-180 degree or until the arrow is facing opposite the place cam lock was inserted.

NOTE: DO NOT USE AN AUTOMATIC SCREWDRIVER TO TIGHTEN CAM LOCKS.

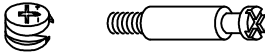




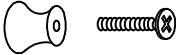

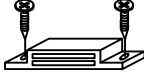




Note:

- Read these instructions carefully before assembling.
- Tools required : Phillips screwdriver, flat screwdriver.
- Find a clean, smooth area on which to work , such as a carpet, in order to avoid scratching the wood surfaces.
- Wait to dispose of the packing material until assembly is complete and all parts and hardware are accounted for.
- Two or more people might be required for assembly.

Part List

<p>A1. Quantity of 1</p>  <p>Left Divider</p>	<p>A2. Quantity of 1</p>  <p>Right Divider</p>	<p>A3. Quantity of 1</p>  <p>Center Shelf</p>	<p>A4. Quantity of 1</p>  <p>Bottom Panel</p>
<p>A5. Quantity of 1</p>  <p>Left Shelf</p>	<p>A6. Quantity of 1</p>  <p>Right Shelf</p>	<p>A7. Quantity of 1</p>  <p>Top Panel</p>	<p>A8. Quantity of 1</p>  <p>Back Panel</p>
<p>A9. Quantity of 1</p>  <p>Left Leg</p>	<p>A10. Quantity of 1</p>  <p>Right Leg</p>	<p>A11. Quantity of 1</p>  <p>Door</p>	<p>A12. Quantity of 1</p>  <p>Adjustable Shelf</p>
<p>A13. Quantity of 1</p>  <p>Drawer Front Panel</p>	<p>A14. Quantity of 1</p>  <p>Drawer Side Panel</p>	<p>A15. Quantity of 1</p>  <p>Drawer Back Panel</p>	<p>A16. Quantity of 1</p>  <p>Drawer Bottom Panel</p>
<p>A17. Quantity of 1</p>  <p>Left Apron</p>	<p>A18. Quantity of 1</p>  <p>Right Apron</p>	<p>A19. Quantity of 1</p>  <p>Middle Leg</p>	

Hardware List

<p>B1. Quantity of 18</p>  <p>Camlock</p>	<p>B2. Quantity of 22</p>  <p>Wood Dowel</p>	<p>B3. Quantity of 20</p>  <p>Screw</p>	<p>B4. Quantity of 8</p>  <p>Screw</p>
<p>B5 Quantity of 10</p>  <p>Screw</p>	<p>B6 Quantity of 2</p>  <p>Drawer Knob</p>	<p>B7 Quantity of 4</p>  <p>Support</p>	<p>B8 Quantity of 1</p>  <p>Magnet</p>
<p>B9 Quantity of 1</p>  <p>Stopper</p>	<p>B10 Quantity of 1</p>  <p>Door Pin</p>	<p>B11 Quantity of 1</p>  <p>Anchor with Screw</p>	<p>B12 Quantity of 1</p>  <p>Anti-tip kit</p>



WARNING:

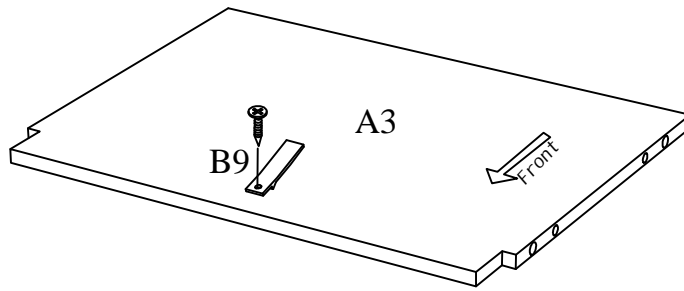
Serious or fatal crushing injuries can occur from furniture tip-over.
To help prevent tip-over:

- Place heaviest item in the lowest drawers.
- Unless specifically designed to accommodate, do not set TVs or other heavy objects on top of this product.
- Never allow children to climb or hang on drawers, doors or shelves.
- Never open more than one drawer at a time.(OR)
- Do not defeat or remove the drawer interlock system.

Use of tip-over restraints may only reduce, but not eliminate the risk of tip-over.




Step 1

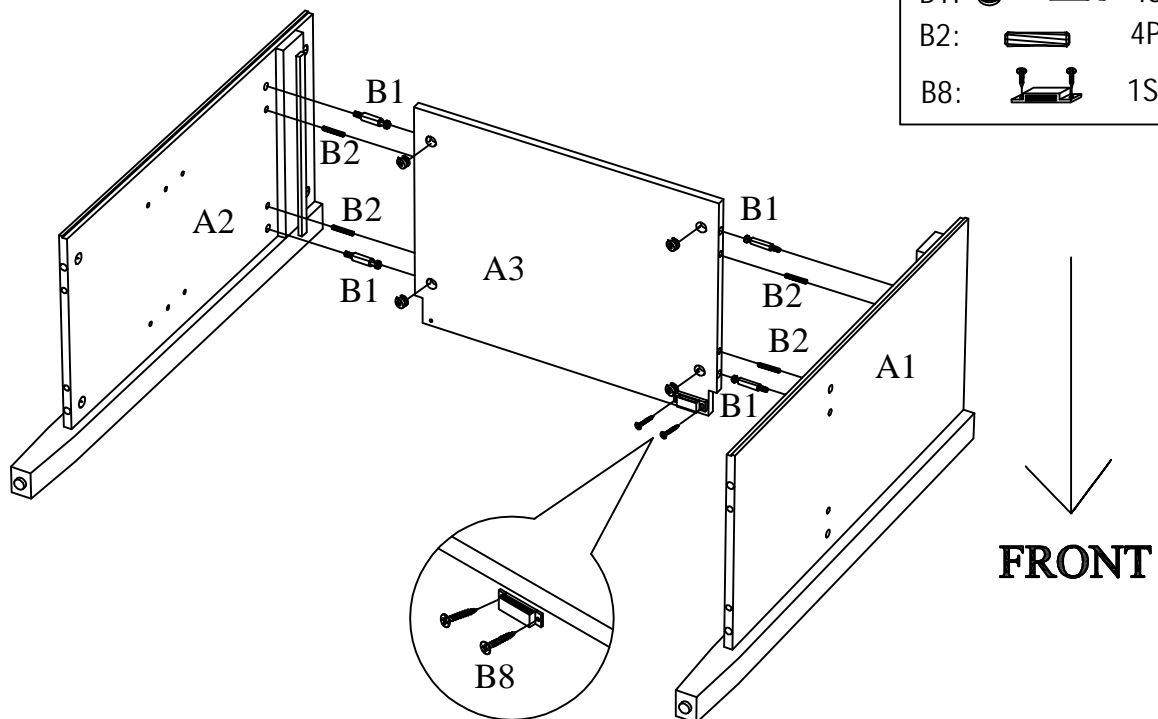
B9:  1SET



Attach Stopper B9 to Center Shelf A3 using including screws.(Hole is pre-drilled)

Step 2

B1:  4SETS
B2:  4PCS
B8:  1SET


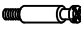



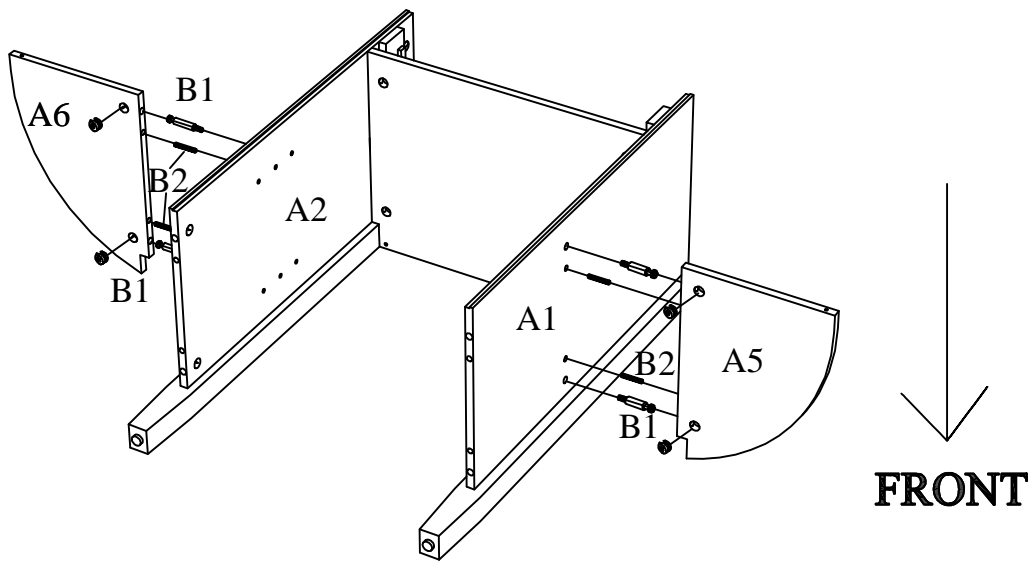
1).Attach Magnet B8 to the bottom of Middle Shelf A3 using included Screws.

Note:Holes are pre-drilled.

2).Assemble Dividers A1&A2 to Middle Shelf A3 using Wood Dowels B2 and Camlocks B1


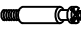

Step 3

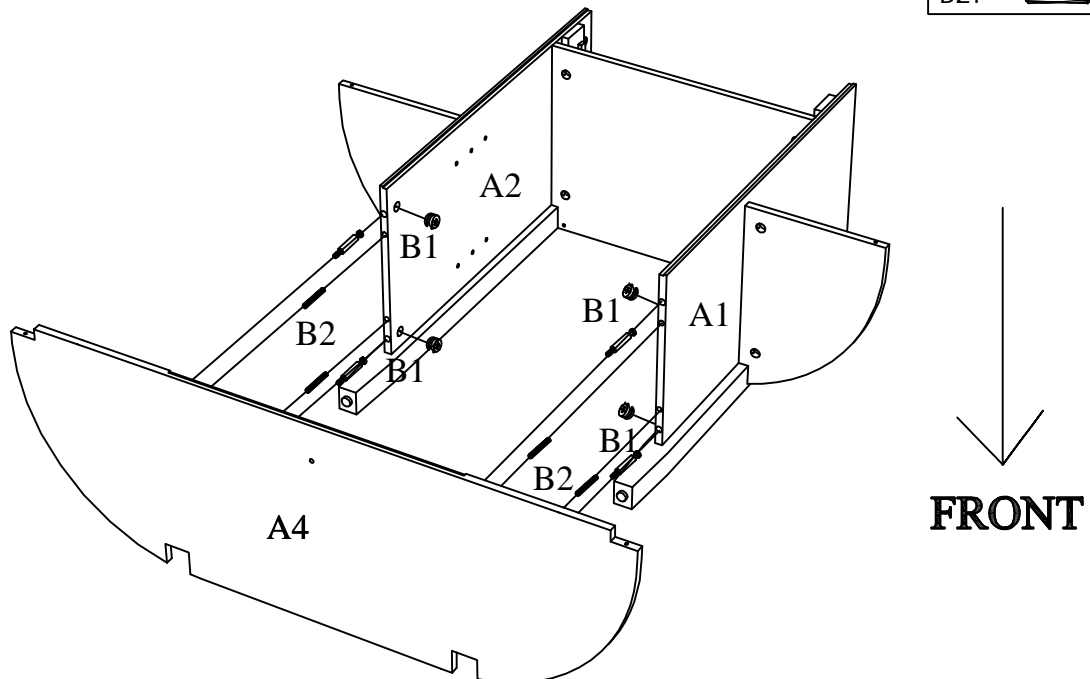
B1:			4SETS
B2:			4PCS



- 1). Assemble Shelf A5 to Dividers A1 using Wood Dowels B2 and Camlocks B1.
- 2). Assemble Shelf A6 to Dividers A2 using Wood Dowels B2 and Camlocks B1.

Step 4

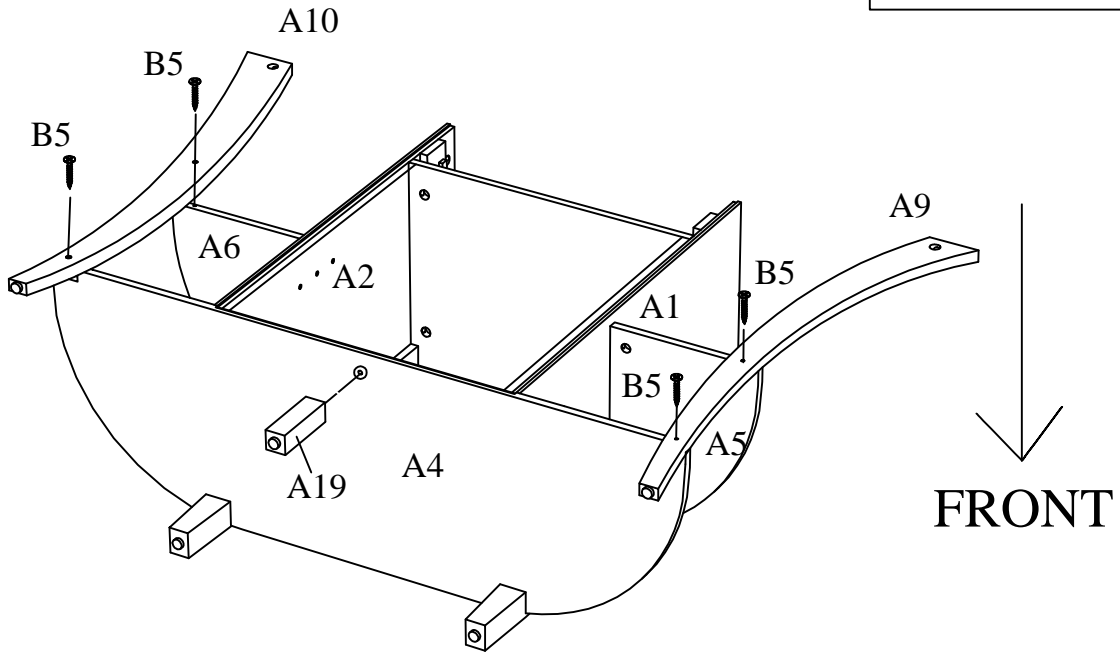
B1:			4SETS
B2:			4PCS



Assemble Bottom Panel A4 to Dividers A1&A2 using Wood Dowels B2 & Camlocks B1.




Step 5

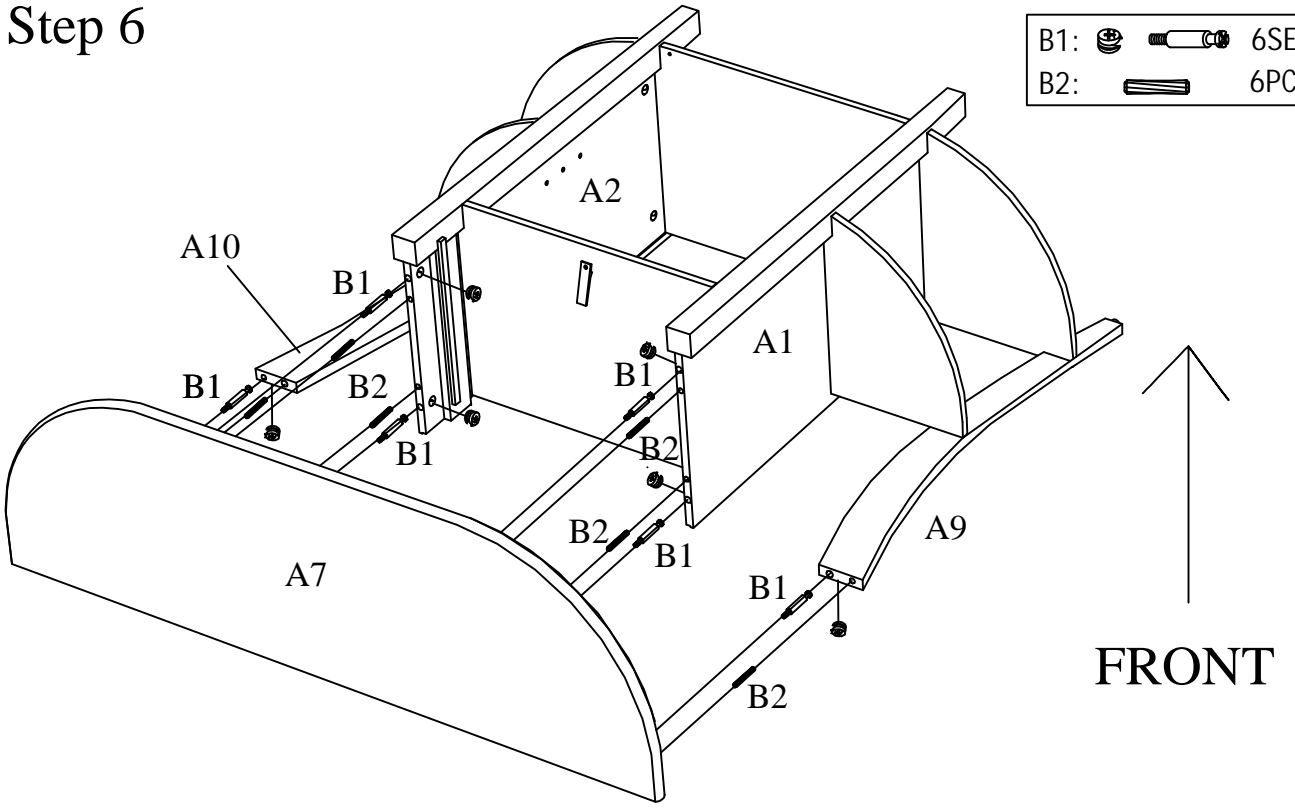
B5:  4PCS



- 1). Assemble Left Leg A9 to Bottom Panel A4 and Middle Shelf A5 using Screws B5.
- 2). Assemble Right Leg A10 to the Bottom Panel A4 and Middle Shelf A6 using Screws B5.
- 3). Attach Middle Legs A19 to Bottom Panel A4 as above drawing shown.

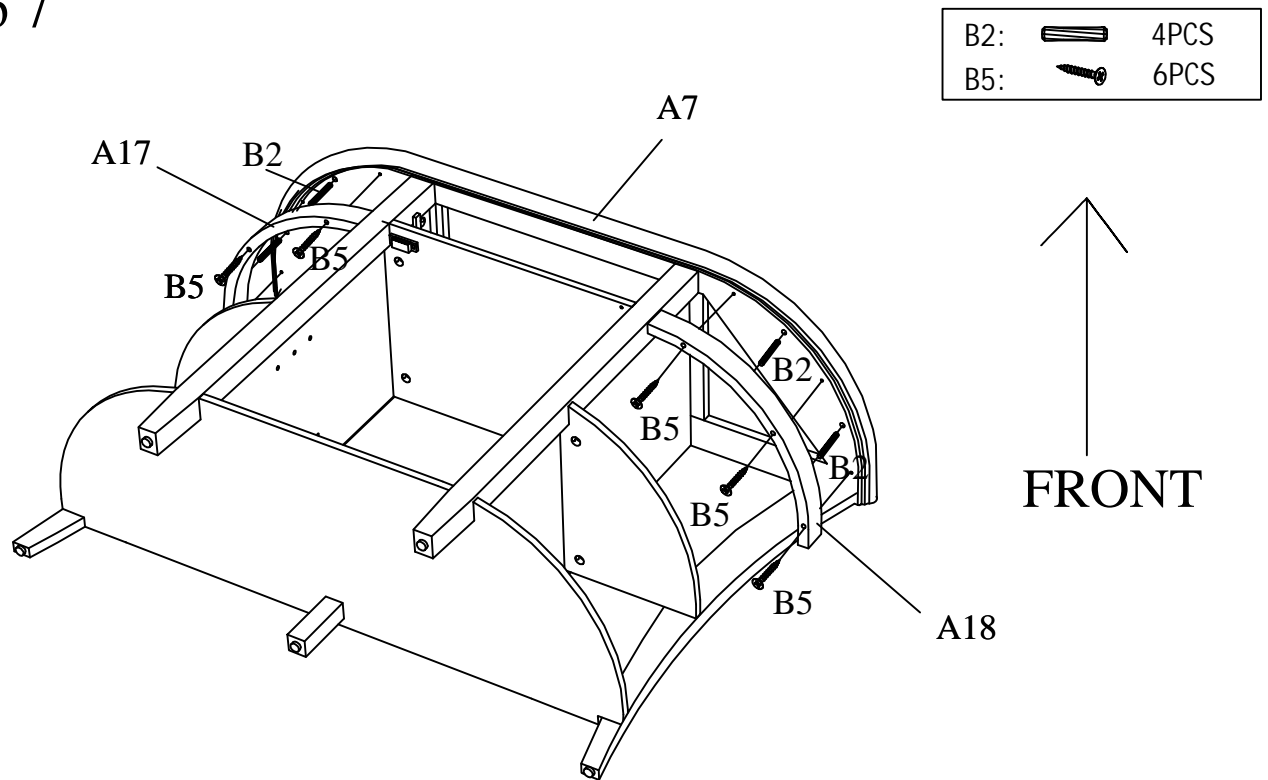
Step 6

B1:   6SETS
 B2:  6PCS



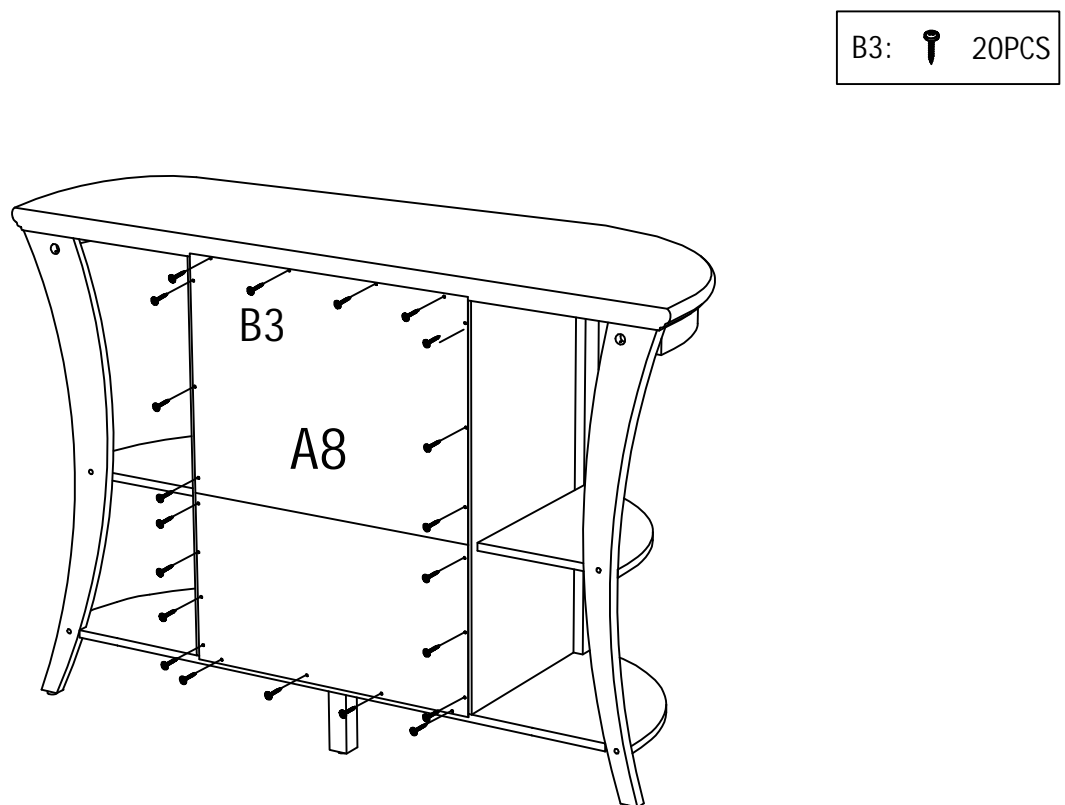
Assemble Top Panel A7 to Legs A9&A10 and Dividers A1&A2 using Wood Dowels B2 and Camlocks B1

Step 7



Assemble Aprons A17&A18 to Top Panel A7 using Wood Dowels B2 and Screws B5.
Note:Holes are pre-drilled.

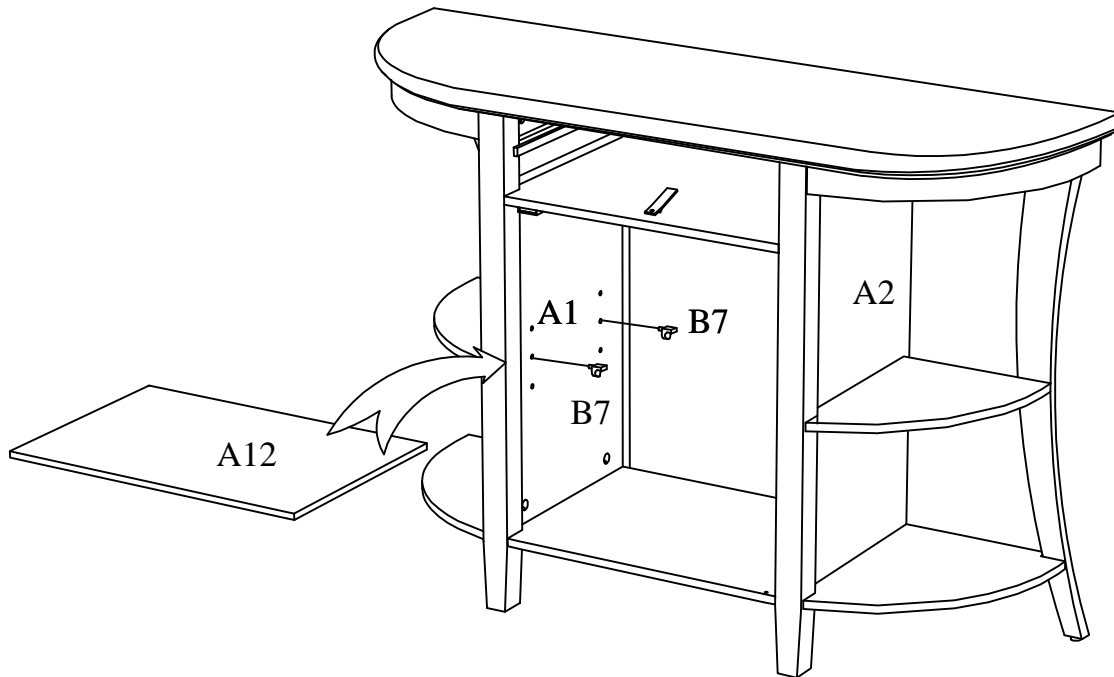
Step 8



Attach Back Panels A8 to the back of this unit using Screws B3.

Step 9

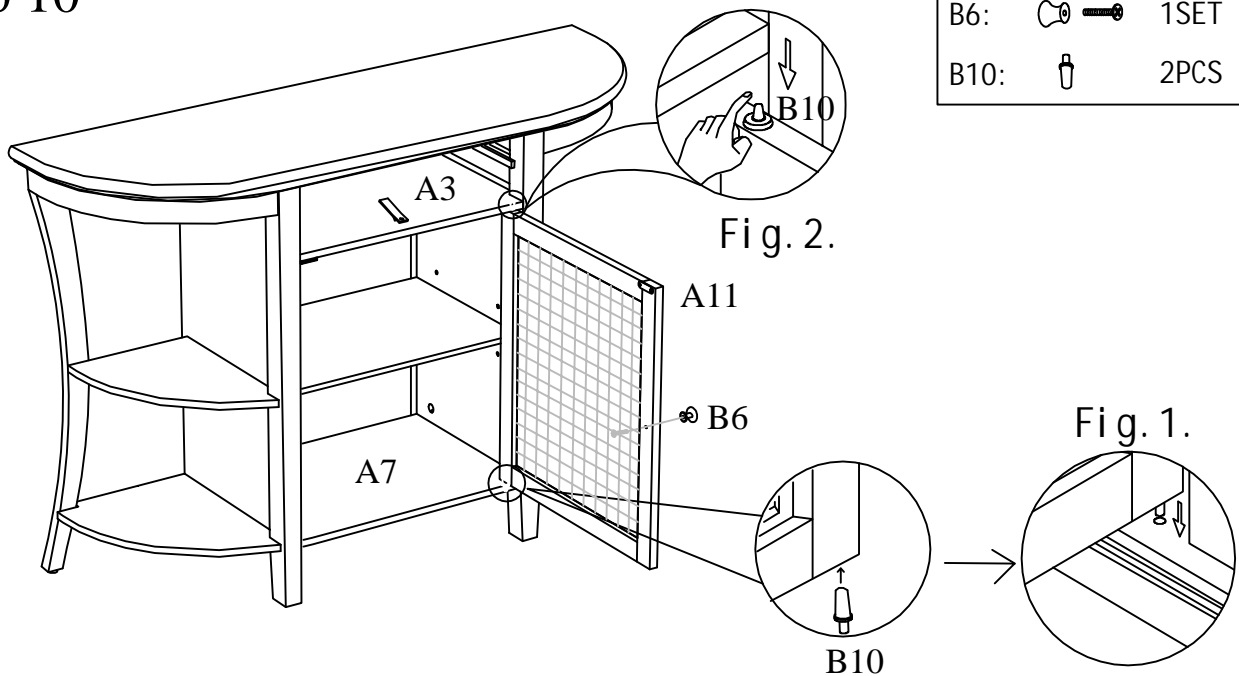
B7:  4PCS



- 1). Insert Shelf Supports B7 into the holes on Dividers A1&A2.
- 2). Put Shelf A12 onto Shelf supports B7.

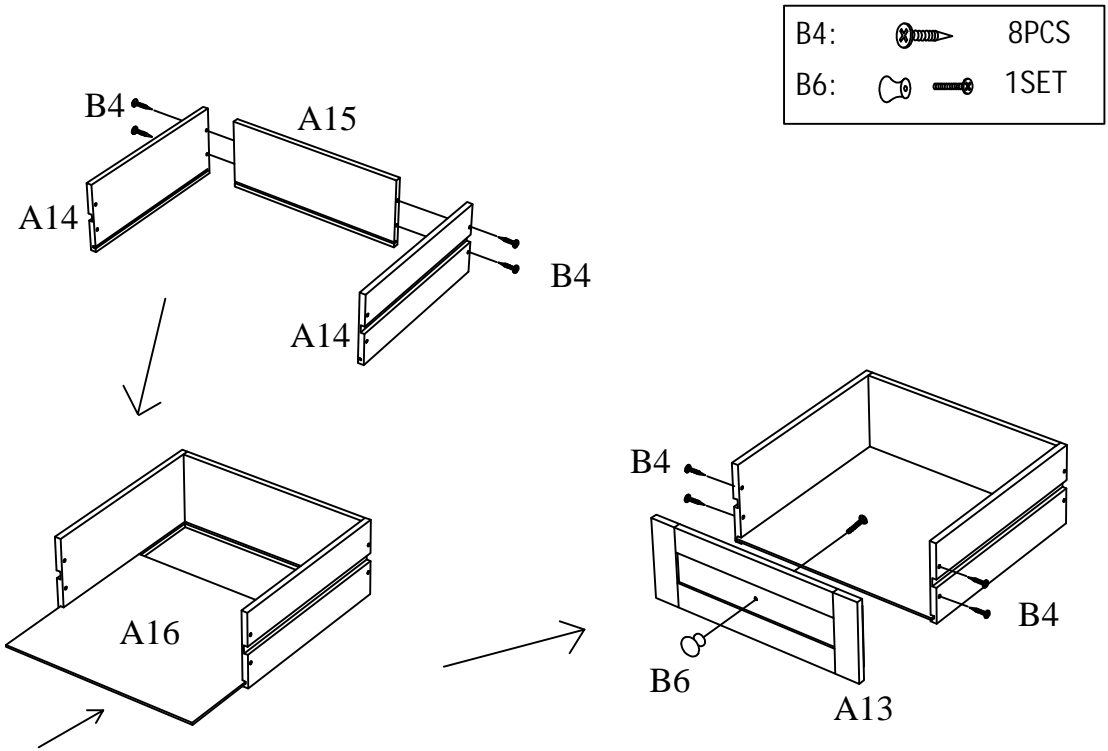
Step 10

B6:  1SET
B10:  2PCS



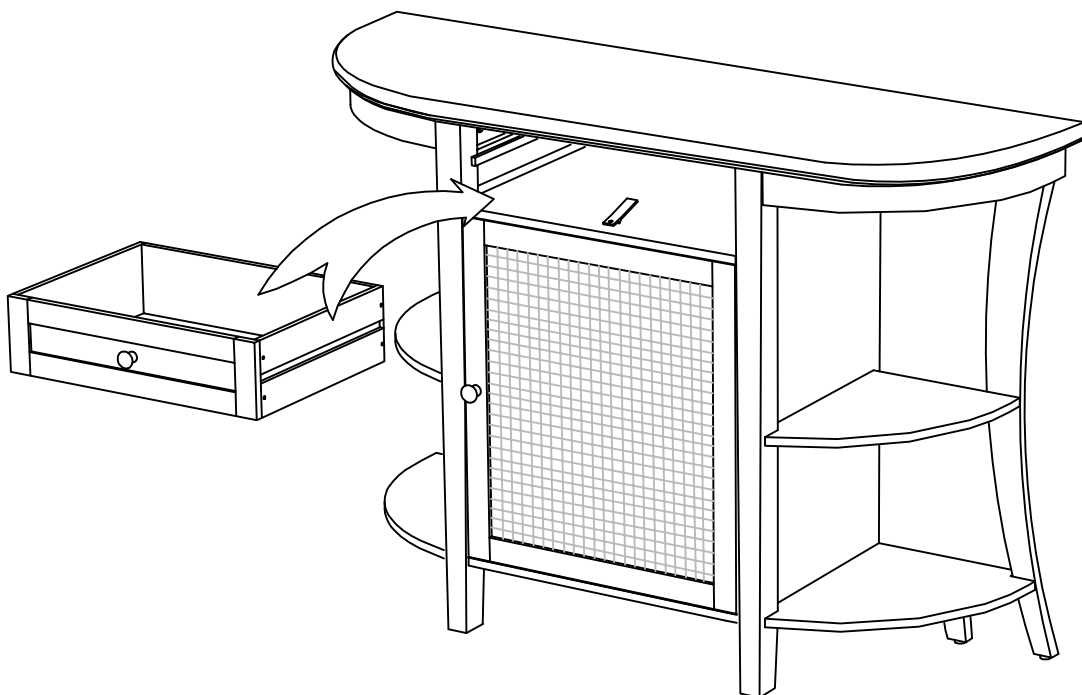
- 1). Insert Door Pin B10 into the hole on the bottom of Door A11, then connect Door A11 to Bottom Panel A7 as Fig.1.
- 2). Insert Door Pin B10 into the hole on the top of Door A11, then press down Door Pin B10 see Fig.2. and hold the door panel carefully into the cabinet with the Door Pin popping up into the hole of Middle Shelf A3.
- 3). Attach Knobs B6 to Door A11 using included Bolt .

Step 11

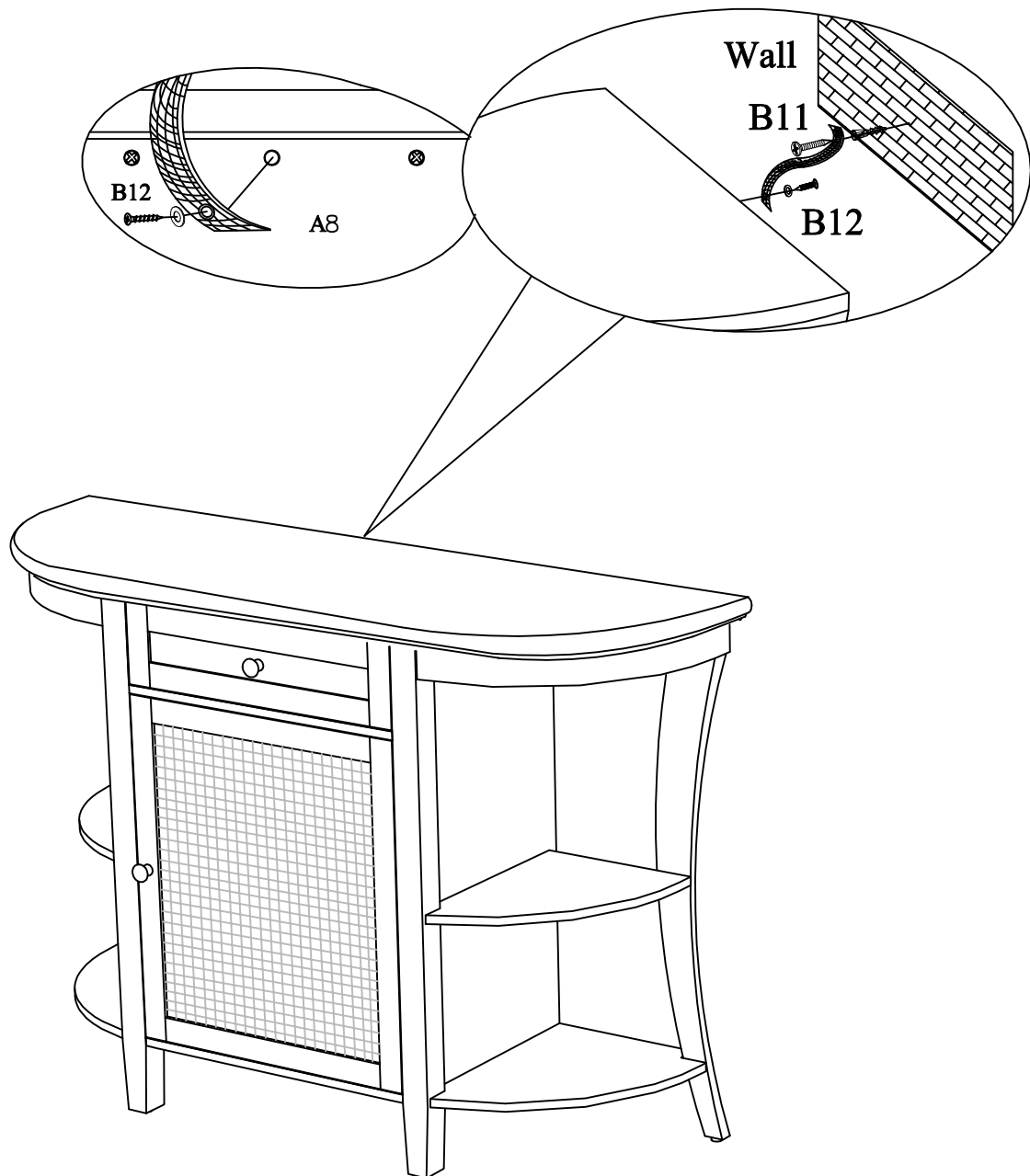
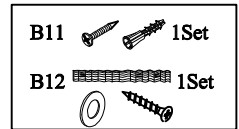


- 1). Assemble Drawer Side Panels A14 to Drawer Back Panel A15 using Screws B4.
- 2). Insert Drawer Bottom Panel A16 into the grooves on Drawer Side Panels A14 and Drawer Back Panel A15.
- 3). Assemble Drawer Front Panel A13 to Drawer Side Panels A14 using Screws B4.
- 4). Attach Drawer Knob B6 to Drawer Front Panel A13 using included bolt.

Step 12

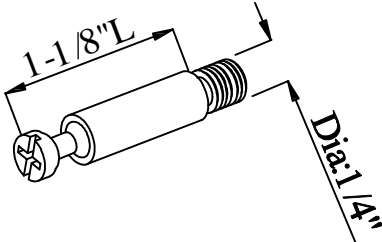
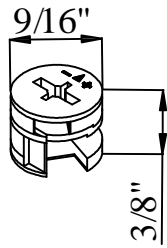
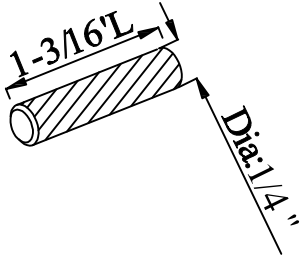
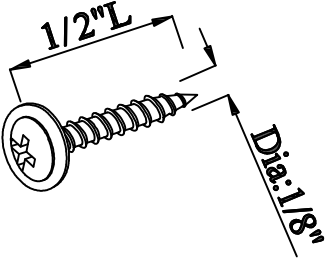
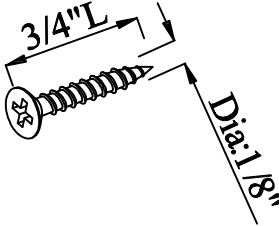
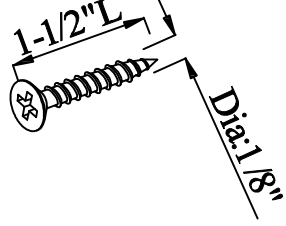
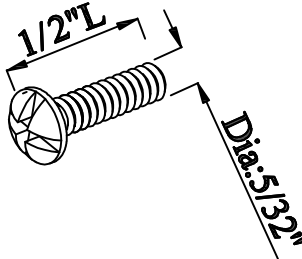
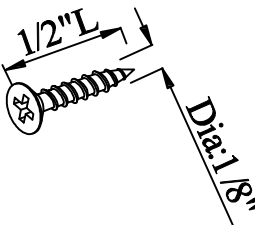
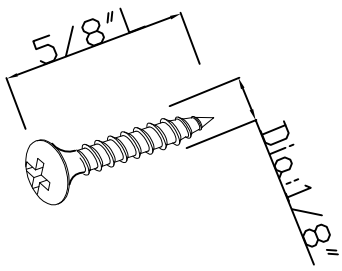


Insert Drawer into this cabinet.



For your safety, please attach this unit to the wall by Anchor with Screw B11 and Anti-tip kit B12.

APPENDIX: Dimension of Hardware in this AI.

<p>B1.</p>  <p>Cam-bol t</p>	<p>B1.</p>  <p>Cam-nut</p>	<p>B2.</p> 
<p>B3&B8</p>  <p>Screw</p>	<p>B4.</p>  <p>Screw</p>	<p>B5&B11.</p>  <p>Screw</p>
<p>B6.</p>  <p>Bol t for Handle</p>	<p>B9.</p>  <p>Screw</p>	<p>B12.</p>  <p>Screw</p>