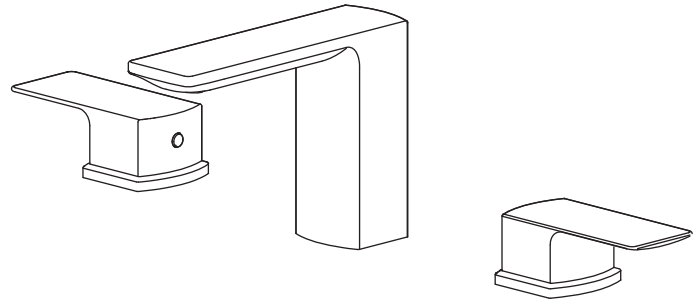


# INSTALLATION INSTRUCTIONS

stufurhome

**ST555CH/ST555MB**  
**Three hole basin mixer in chrome**  
**with pop up drain**



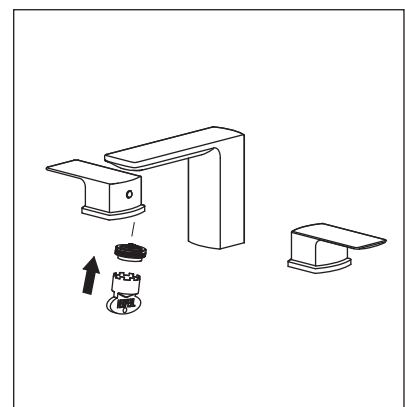
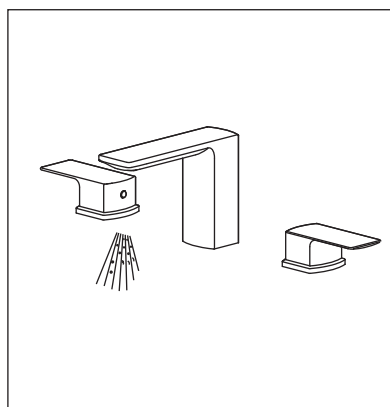
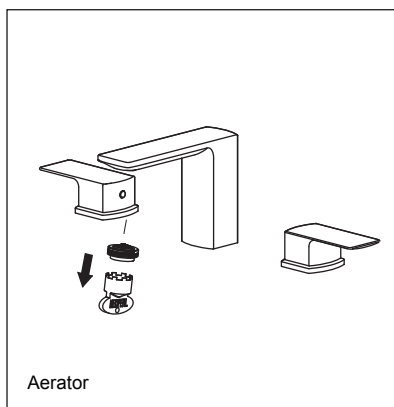
## Important

- We recommend that this product is installed by a qualified professional contractor.
- Please check this product immediately to ensure that it has not been damaged and is complete. Before installation, please make sure this product is the correct model and you have all the parts required for installation and using.
- Please flush the water system to ensure that no metal swarf, solder, and other impurities can enter the taps.
- Turn off water supply before commencing work, this should be done at the isolating valves of inlet feeds if fitted or main stopcock.
- Please read these instructions carefully and keep it for future reference.

## Cleaning

Before use: Unscrew the Aerator and allow the water to run freely for 5 minutes. Then screw the filter back in place.

Periodically: Unscrew the Aerator and remove. Rinse it with running water until any loose debris is cleared. Then replace the Aerator and tighten.

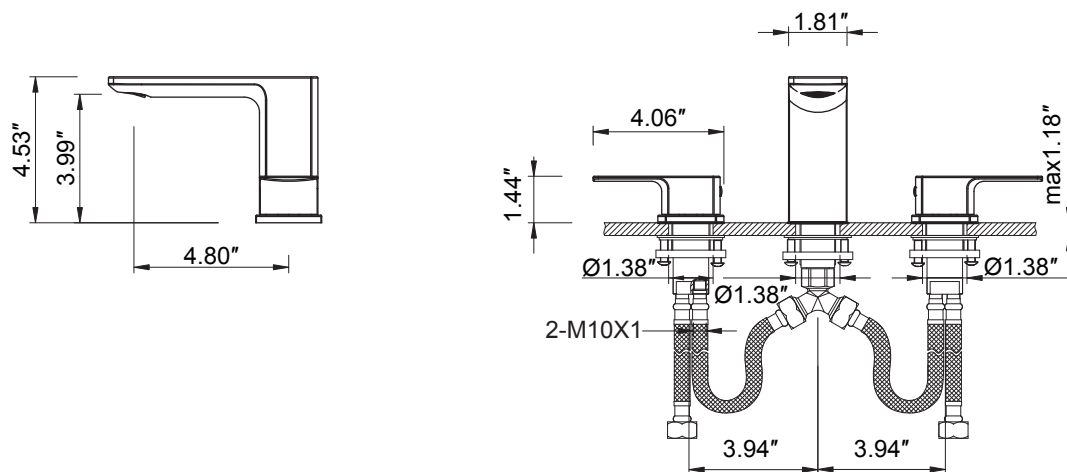


## Maintenance

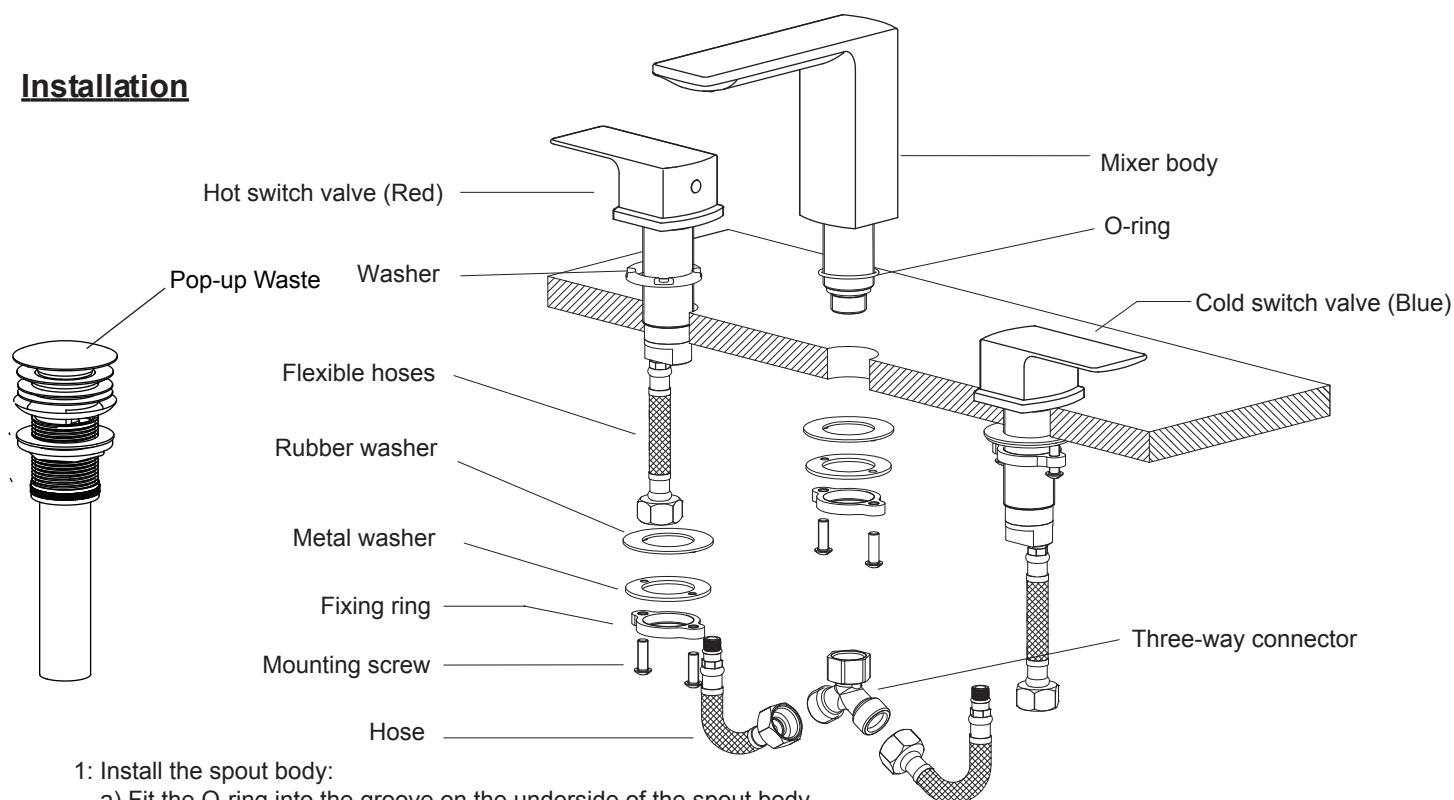
We do NOT recommend you use any household cleaners to clean the product. Because these cleaners change substance or formula too frequently. The product should be always cleaned only with soapy water and rinsed with clean water and dried with a soft cloth.

## Dimensions

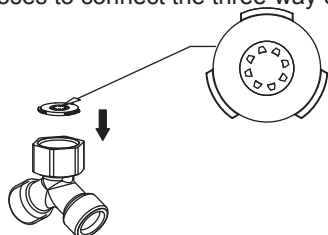
Unit: inches



## Installation



- 1: Install the spout body:
  - a) Fit the O-ring into the groove on the underside of the spout body.
  - b) Then insert the spout body into the centre hole on the basin from above.
  - c) Tighten the rubber washer, the metal washer & the fixing ring with the mounting screw from the under-side of the basin. Check that the spout body is correctly positioned, and then fully tighten the fixing ring and the mounting screw.
  - d) Screw on the three-way connector at the tail of spout body.
- 2: Install the hot and cold water valves:
  - a) Fit the washer into the groove on the underside of both tap valves.
  - b) Screw the flexible hoses into the valve body, and fully hand tighten.
  - c) Insert the two valve bodies into left and right holes on the basin.
  - d) Tighten the rubber washer, the metal washer & the fixing ring with the mounting screw from the under-side of the basin. Check that the valve body is correctly positioned, and then fully tighten the fixing ring and the mounting screw.
- 3: Use two hoses to connect the three-way connector with both left and right valve bodies.



### NOTE:

Please make sure making the bottom side of the regulator towards the connector port.

- 4: Connect the water supply pipes to the tail of flexible hoses with "hot" & "cold" indicator, with the hot water on the left and cold water on the right.
- 5: Put the pop-up waste through the hole from the top of the basin, then fix the rubber washer and retaining screw in turn. Twist the pipe to the bottom of the waste by thread, and then tighten the whole set in position.