



ASSEMBLY INSTRUCTION

ITEM NO: 5609-48 ROUND GAME TABLE TOP
5609-48B PEDESTAL TABLE BASE

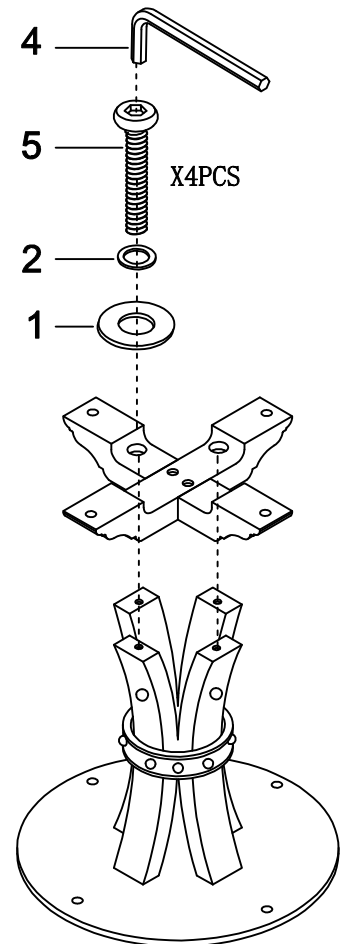
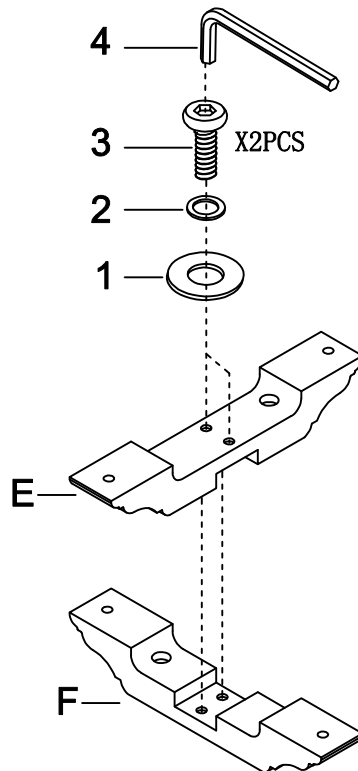
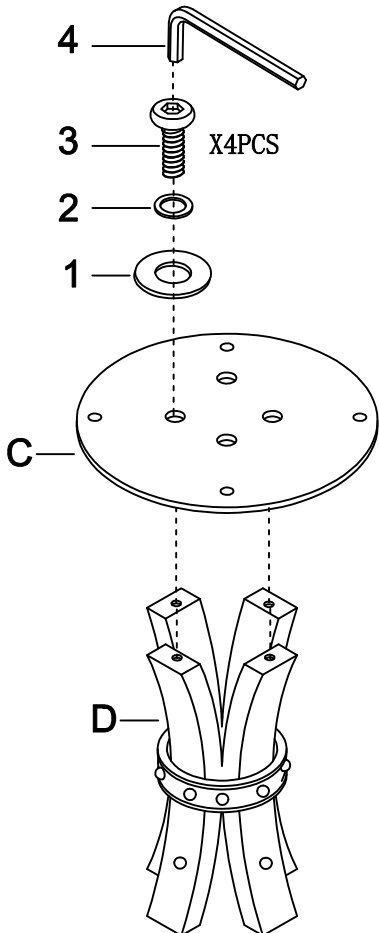
PART LIST		
No.	Description	Q' ty
A	GAME TABLE TOP	1PC
B	BOTTOM PLATE	1PC
C	MOUNTING PLATE	1PC
D	PEDESTAL BASE	1PC
E	LOWER LEG	1PC
F	UPPER LEG	1PC

HARDWARE LIST			
No.	Description		Q' ty
1	FLAT WASHER		Ø5/16"*18mm 14PCS
2	SPRING WASHER		Ø5/16"*13mm 14PCS
3	BOLT		Ø5/16"*1-3/8" 6PCS
4	ALLEN KEY		5mm 1PC
5	BOLT		Ø5/16"*3" 4PCS
6	BOLT		Ø5/16"*1-3/4" 4PCS

STEP 1

STEP 2

STEP 3

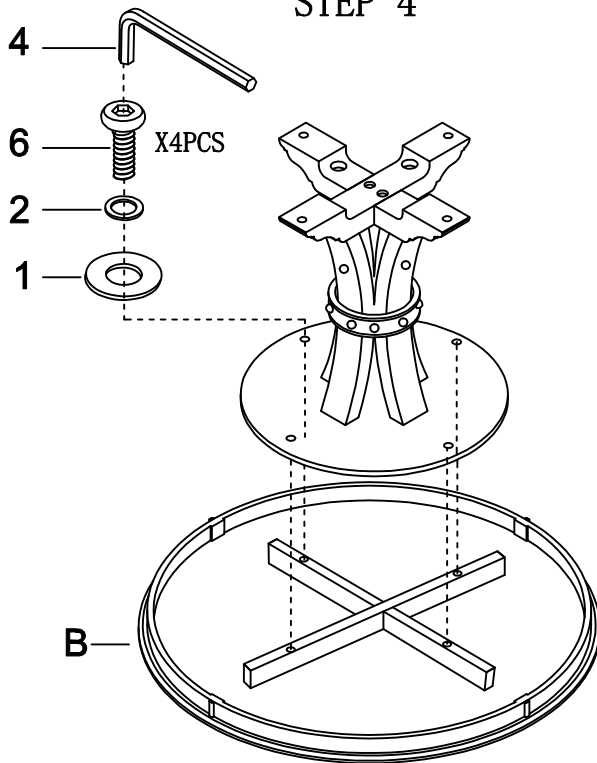




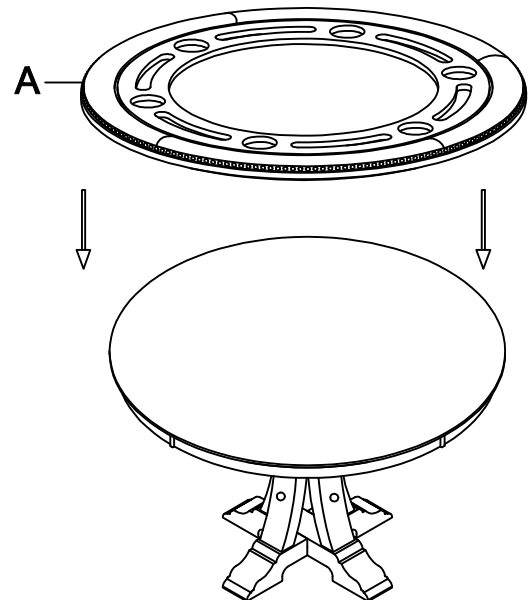
ASSEMBLY INSTRUCTION

ITEM NO: 5609-48/48B ROUND GAME TABLE TOP /PEDESTAL TABLE BASE

STEP 4

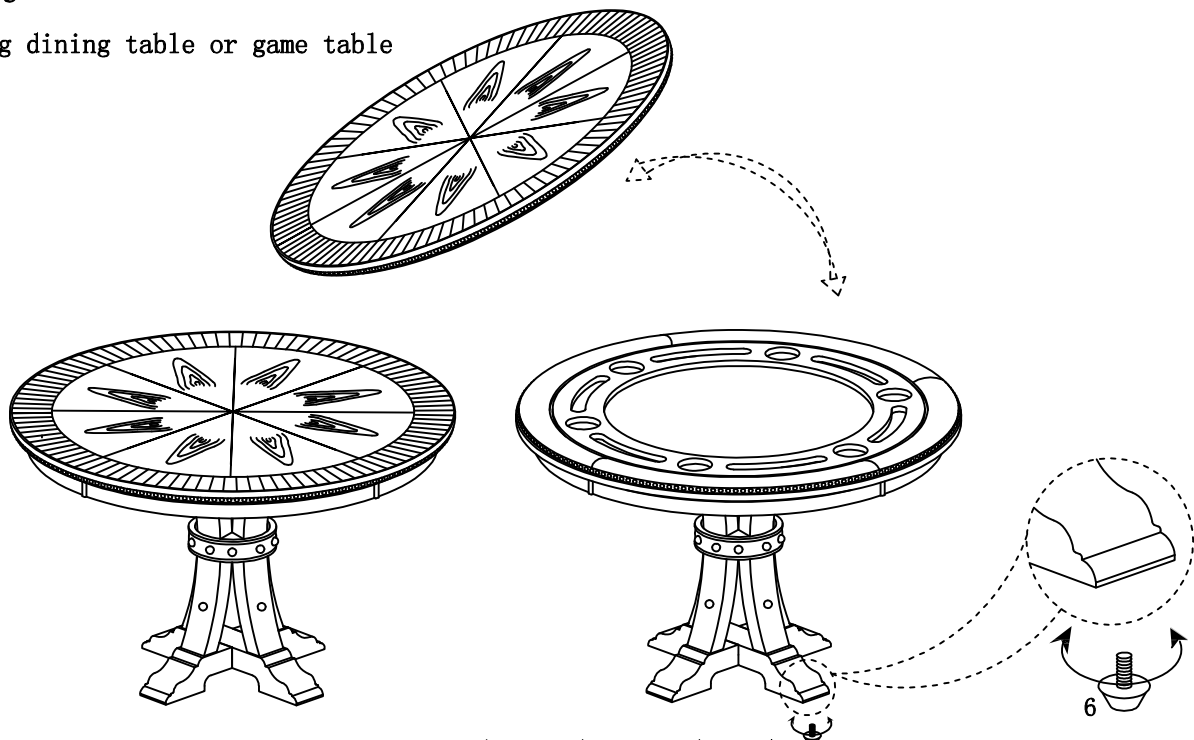


STEP 5



STEP 6

Choosing dining table or game table



For items use on wooden floor, hard surfaces or carpets, it is recommended to Install protective pads under all legs and supports to avoid/prevent from damages/scratches and discoloration.