

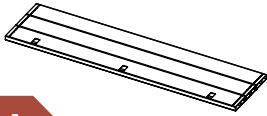
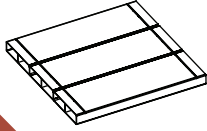
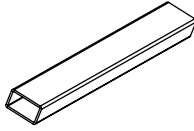

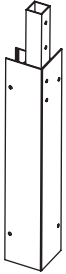
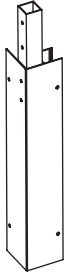
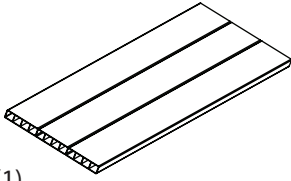


HIDE IT WITH STYLE

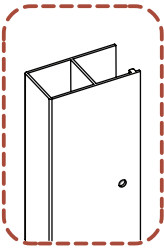
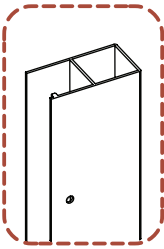


Box Contents

EC18024/EC18025

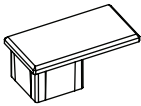
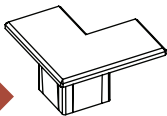
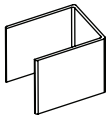

PLANTER BOX

 <p>A</p> <p>Planter Long Board (2) 7/8" x 11" x 44"</p>	 <p>B</p> <p>Planter Short Board (2) 7/8" x 11" x 11"</p>	 <p>C</p> <p>Floor Supports (3) 7/8" x 1 1/2" x 12 3/4"</p>	 <p>D</p> <p>Front Post (2) 1 7/8" x 1 7/8" x 11"</p>
 <p>E</p> <p>Back Left Post (1) 1 7/8" x 1 7/8" x 11"</p>	 <p>F</p> <p>Back Right Post (1) 1 7/8" x 1 7/8" x 11"</p>	 <p>G</p> <p>Floor (1) 7/8" x 11" x 44"</p>	

SCREEN

 <p>H</p> <p>Left Post - Long (1) 1" x 1 7/8" x 61"</p>	 <p>I</p> <p>Right Post - Long (1) 1" x 1 7/8" x 61"</p>	 <p>J</p> <p>Wide Board (8) 7/8" x 3" x 44"</p>	 <p>K</p> <p>Narrow Board (14) 7/8" x 1 1/2" x 44"</p>
--	---	--	---

HARDWARE

 <p>L</p> <p>Top Post Cap (2)</p>	 <p>M</p> <p>Corner Post Cap (2)</p>	 <p>N</p> <p>Spacer (44)</p>	 <p>O</p> <p>3/4" Self-Drilling Stainless Steel Screw (28)</p>
--	---	--	---