

# CONVENIENCE CONCEPTS

## French Country Desk With Drawer

ITEM NO. 6042195






6042196

6042199




6042196E



### HARDWARE LIST

CODE	NAME	FIGURE	Q'TY
A	ALLEN SCREW (Φ1/4"×51mm)		8PCS
B	LOCK WASHER (Φ1/4")		8PCS
C	FLAT WASHER (Φ1/4"×16mm)		8PCS
D	ALLEN WRENCH (M4×21×57mm)		1PC
E	HANDLE		1PC

### PARTS LIST

CODE	NAME	FIGURE	Q'TY
①	DESKTOP		1PC
②	LEG		4PCS
③	COLOR STICK		1PC

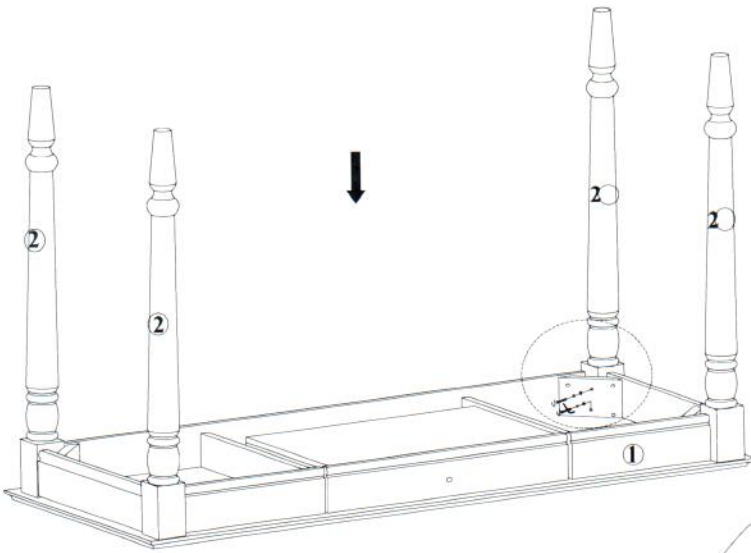


Please do not return to the store

. Broken or Missing Parts?

. Need help with Assembly?

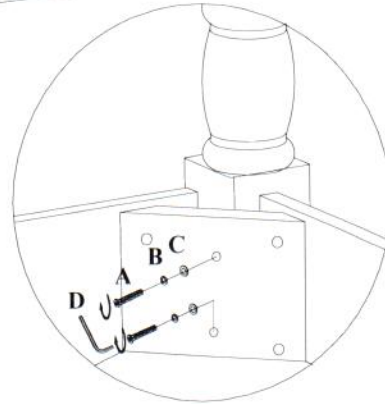
If you have any questions just call 1-800-468-6447 or email us at  
[parts@convenience-concepts.com](mailto:parts@convenience-concepts.com)



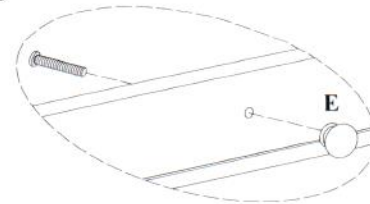
1. Place desktop upside down on carpet or other soft surface.

2. Attach all four legs to desktop using allen screws and the allen wrench (provided).

### STEP 1



2. Attach all four legs to the desktop as shown in the circle diagram above. Place the lock washer (B) onto the allen screw first. Followed by the flat washer (C) and screw then into each leg.



### STEP 2